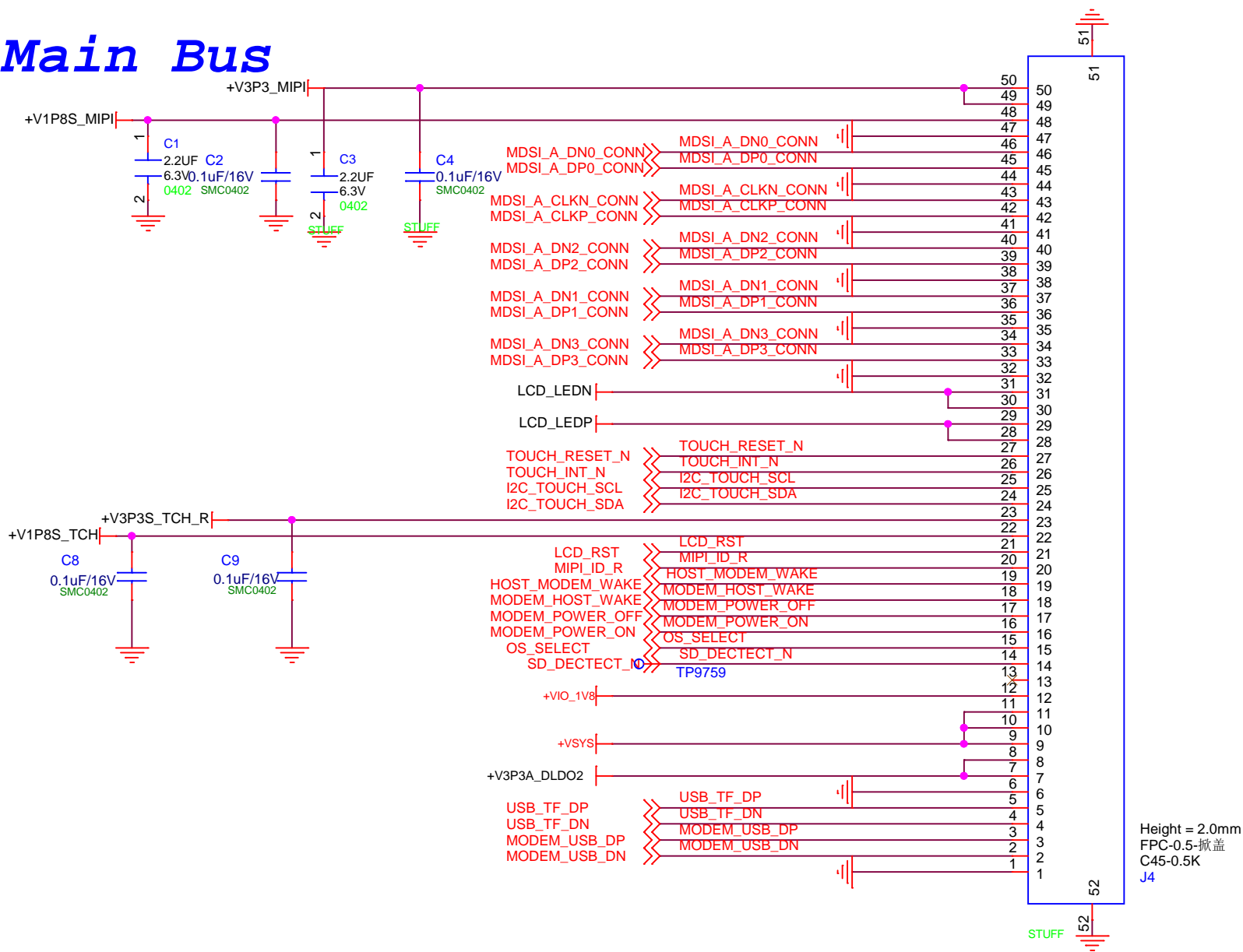
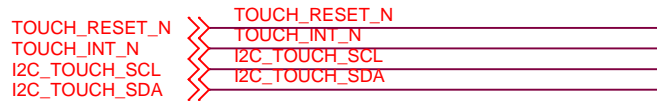


# Main Bus

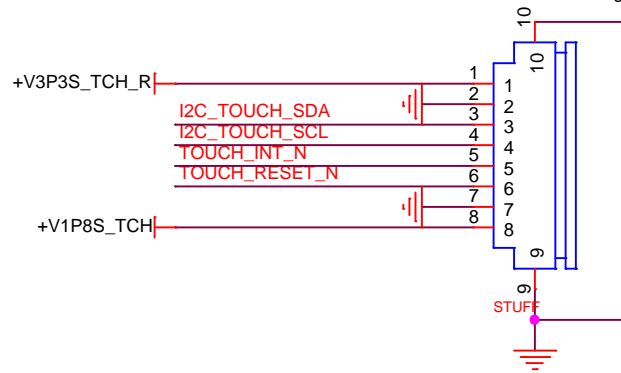


Height = 2.0mm  
 FPC-0.5-掀盖  
 C45-0.5K  
 J4

Title		
<Title>		
Size	Document Number	Rev
A	<Doc>	<RevCode>
Date:	Friday, April 07, 2017	Sheet 1 of 1

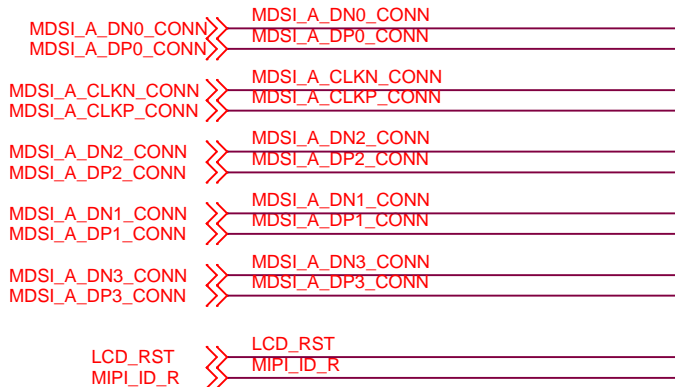
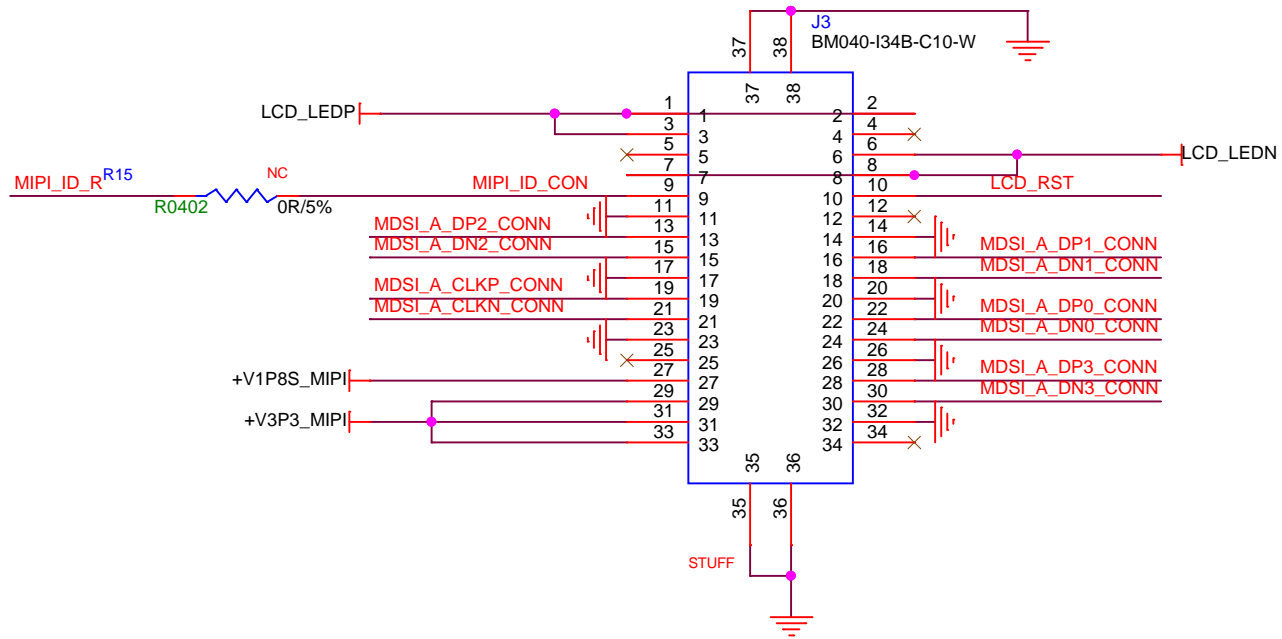


J1  
 FPC1015-08RL-TA0  
 FPC\_8P\_0D5 FPC-1.0下接触  
 Height = 1.0mm



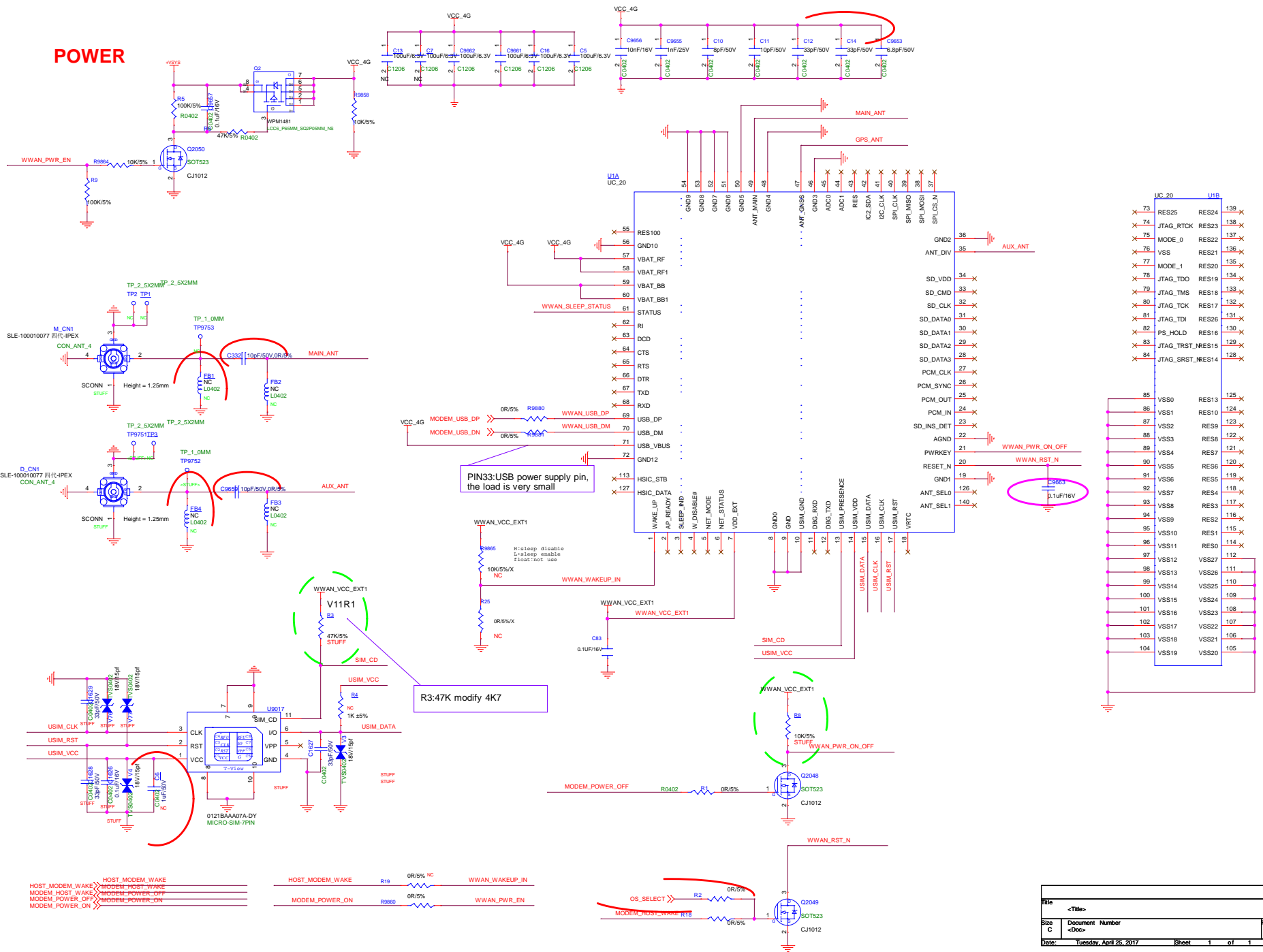
Title		
<Title>		
Size	Document Number	Rev
A	<Doc>	<RevCode>
Date:	Friday, April 07, 2017	Sheet 1 of 1

# MIPI Display



Title		
<Title>		
Size	Document Number	Rev
A	<Doc>	<RevCode>
Date:	Friday, April 07, 2017	Sheet 1 of 1

# POWER

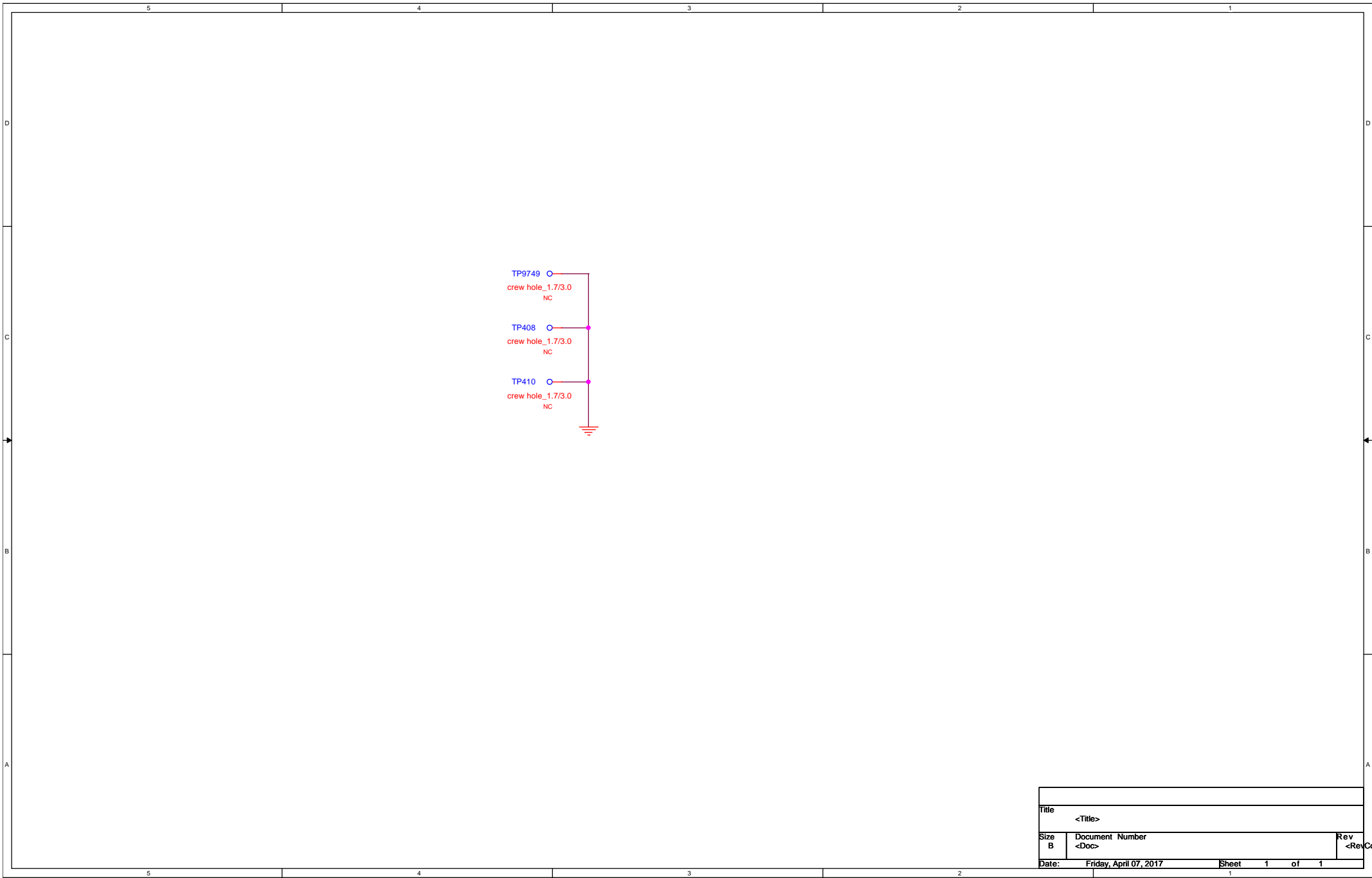


PIN33:USB power supply pin, the load is very small

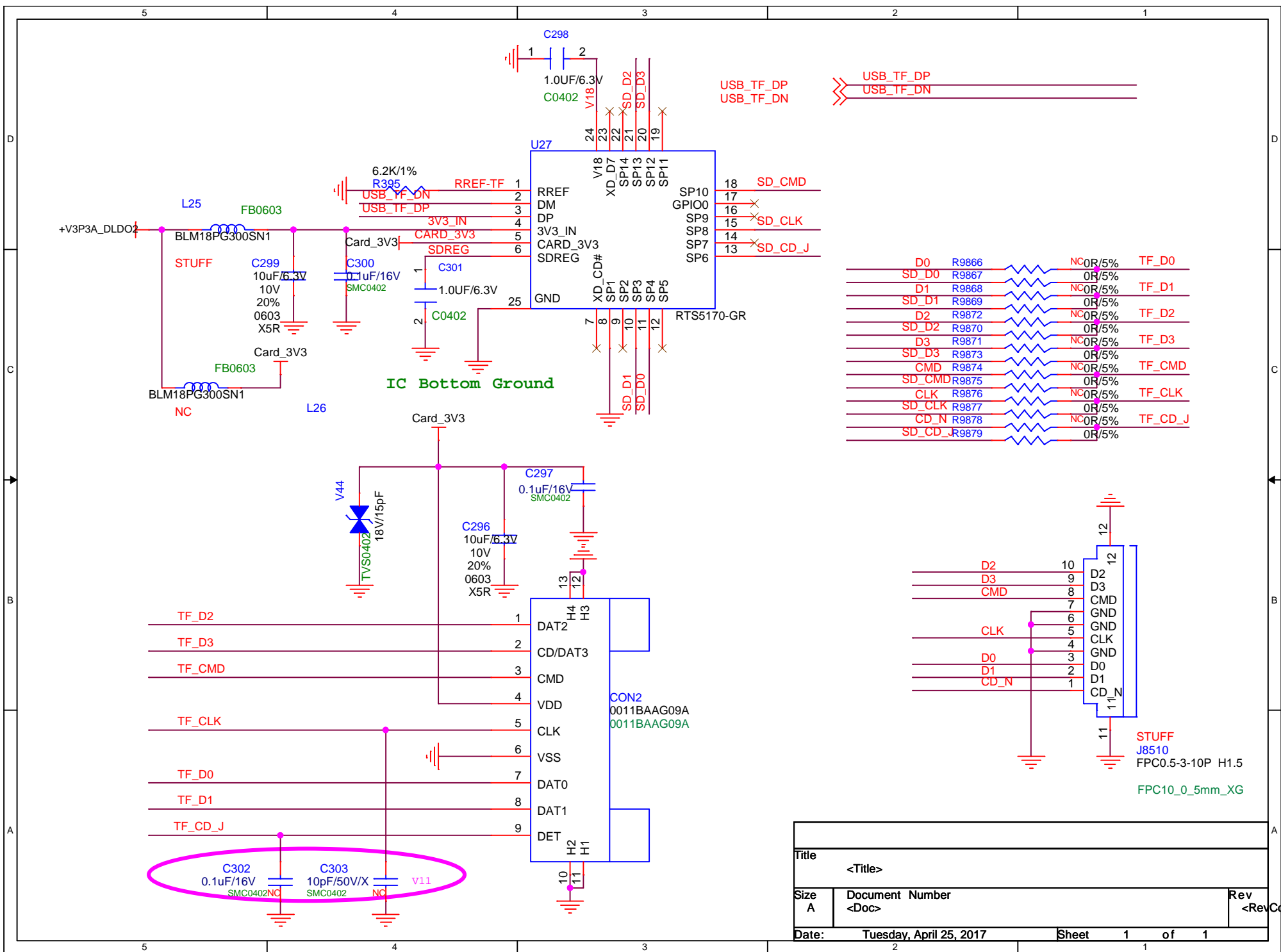
R3:47K modify 4K7

HOST_MODEM_WAKE	HOST_MODEM_WAKE	HOST_MODEM_WAKE	R19	0R/5%	NC	WWAN_WAKEUP_IN
MODEM_HOST_WAKE	MODEM_HOST_WAKE	MODEM_HOST_WAKE	R18	0R/5%	NC	MODEM_HOST_WAKE
MODEM_POWER_OFF	MODEM_POWER_OFF	MODEM_POWER_OFF	R860	0R/5%	NC	WWAN_PWR_EN
MODEM_POWER_ON	MODEM_POWER_ON	MODEM_POWER_ON				

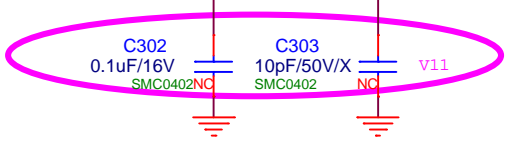
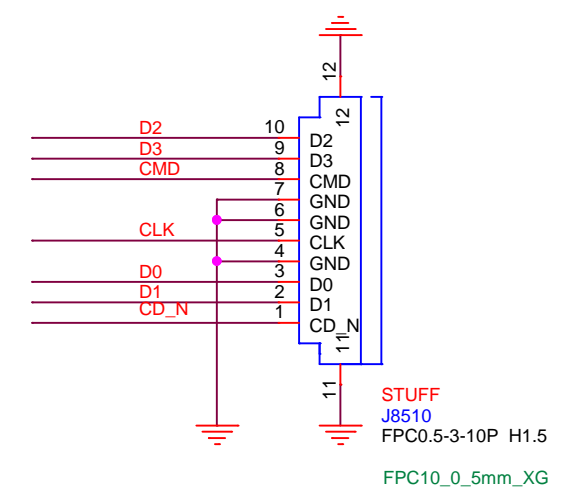
File	<Title>	Rev	<RevCode>
Size	Document Number		
C	<Doc>		
Date:	Tuesday, April 25, 2017	Sheet	1 of 1



Title			<Title>
Size	Document Number	Rev	
B	<Doc>	<Rev Code>	
Date:	Friday, April 07, 2017	Sheet	1 of 1

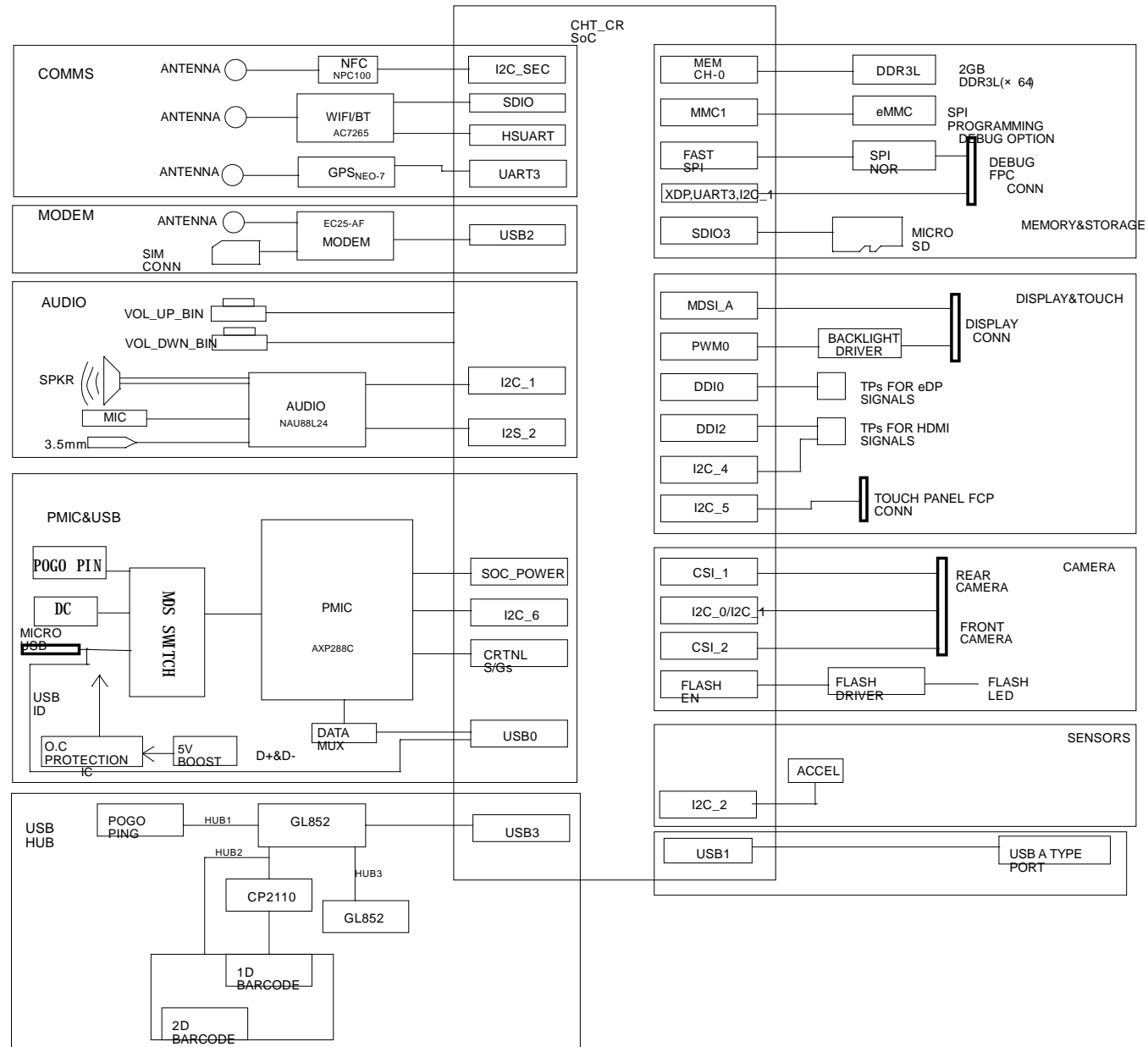


D0	R9866	NC	0R/5%	TF_D0
SD_D0	R9867	NC	0R/5%	TF_D1
D1	R9868	NC	0R/5%	TF_D2
SD_D1	R9869	NC	0R/5%	TF_D3
D2	R9872	NC	0R/5%	TF_CMD
SD_D2	R9870	NC	0R/5%	TF_CLK
D3	R9871	NC	0R/5%	TF_CD_J
SD_D3	R9873	NC	0R/5%	
CMD	R9874	NC	0R/5%	
SD_CMD	R9875	NC	0R/5%	
CLK	R9876	NC	0R/5%	
SD_CLK	R9877	NC	0R/5%	
CD_N	R9878	NC	0R/5%	
SD_CD_N	R9879	NC	0R/5%	



Title		
<Title>		
Size	Document Number	Rev
A	<Doc>	<RevCode>
Date:	Tuesday, April 25, 2017	Sheet 1 of 1

# EM\_I86H\_V10 Block Diagram




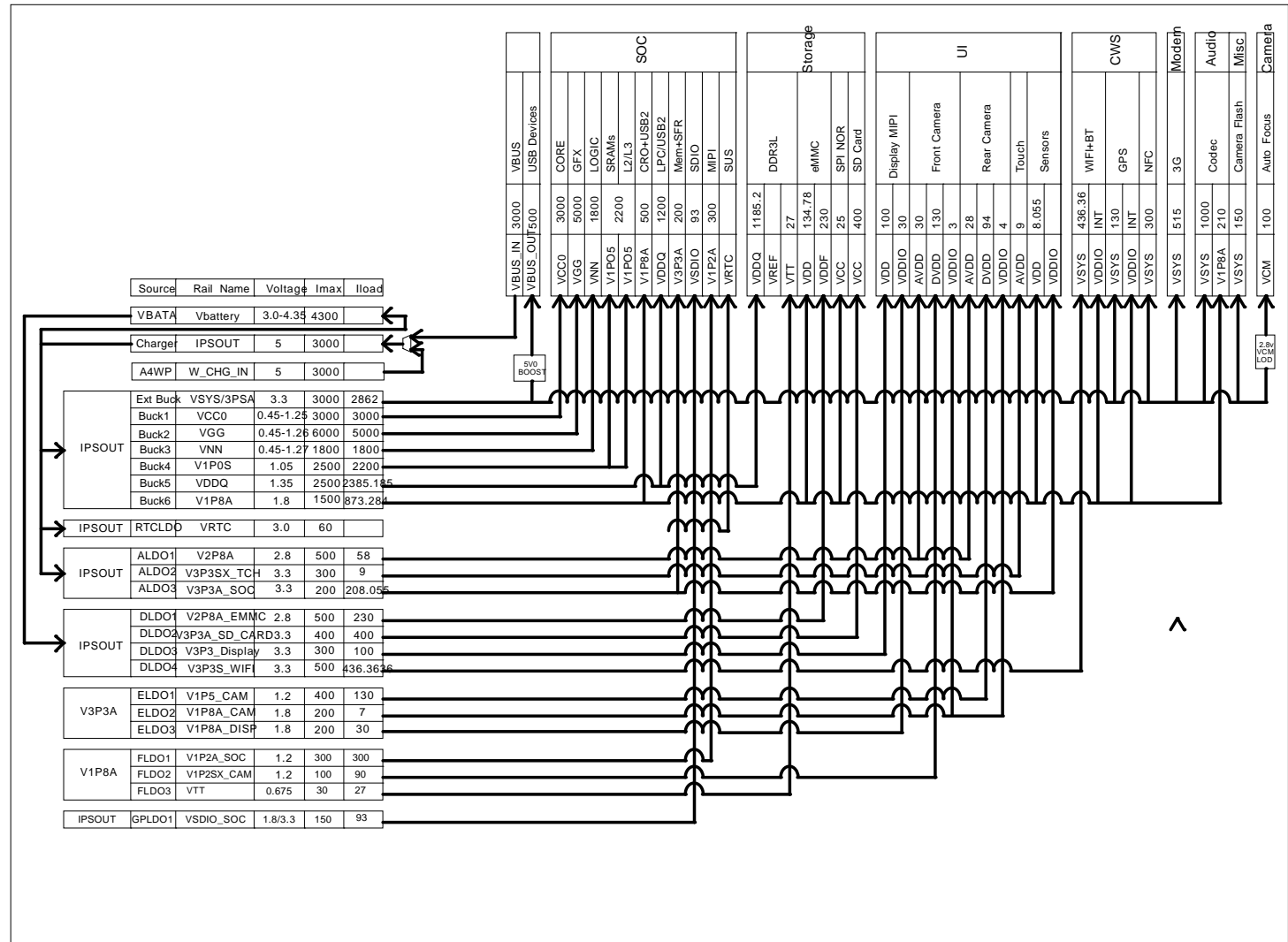
ECO No.		 <a href="http://www.emsdoor.com">http://www.emsdoor.com</a>	
Designer			
Reviewed			
Approved		Title:	
DO NOT REPRODUCE FOR INTERNAL USE ONLY	Size A3	SCHEMATIC	Drawing No. V1
	Date: Wednesday, March 30, 2022	Sheet 1	of 36

TABLE OF CONTENT & NOTES

TABLE OF CONTENTS

SHEET NO.	SHEET NAME
1	BLOCK DIAGRAM
2	TABLE OF CONTENT & NOTES
3	SOC: MEMORY
4	SOC: DISPLAY & CAMERA
5	SOC: STORAGE & I2S
6	SOC: USB & I2C
7	SOC: PMU/DFX/CLK/UART/SUS
8	SOC: POWER 1
9	SOC: POWER 2
10	SOC: GND
11	SOC: DECOUPLING
12	PMIC: SWITCHING REGULATORS
13	PMIC: LDOs
14	PMIC: HOST & MISC INTERFACES
15	PMIC: EXTERNAL REGULATORS
16	MEMORY DEVICE 0 & 1
17	BLANK PAGE
18	USB PHY & MUX
19	SPI NOR FLASH
20	EMMC
21	DISPLAY: LVDS BRIDGE
22	DISPLAY: BIAS VOLTAGE REGULATORS
23	DISPLAY: BACKLIGHT CONTROLLER
24	DISPLAY & TOUCH CONNECTORS
25	CAMERAS - FRONT & REAR
26	SENSORS
27	AUDIO CODEC
28	SPEAKERS
29	HEADSET JACK AND BUTTONS
30	USB CONNECTOR
31	HDMI LEVEL SHIFTERS
32	HDMI CONNECTOR
33	MICRO-SD CONNECTOR
34	WIFI-BT
35	GPS
36	BATTERY & DEBUG CONNECTOR
37	3G MODEM MODULE
38	MICRO-SIM CONNECTOR
39	SAR PROXIMITY SENSOR
40	MFG TEST POINTS, SHIELDS & MOUNTING HOLES

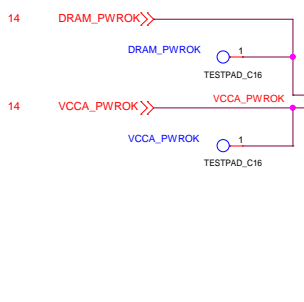
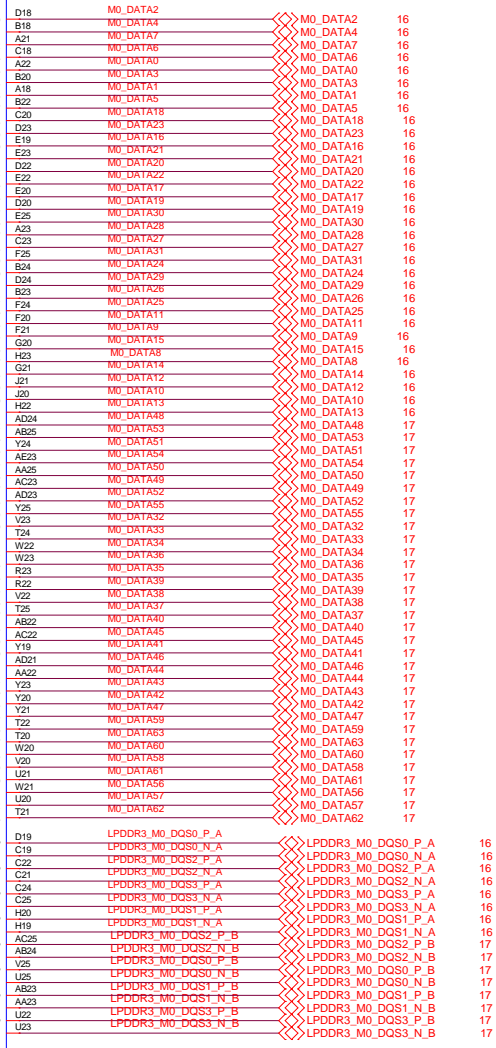
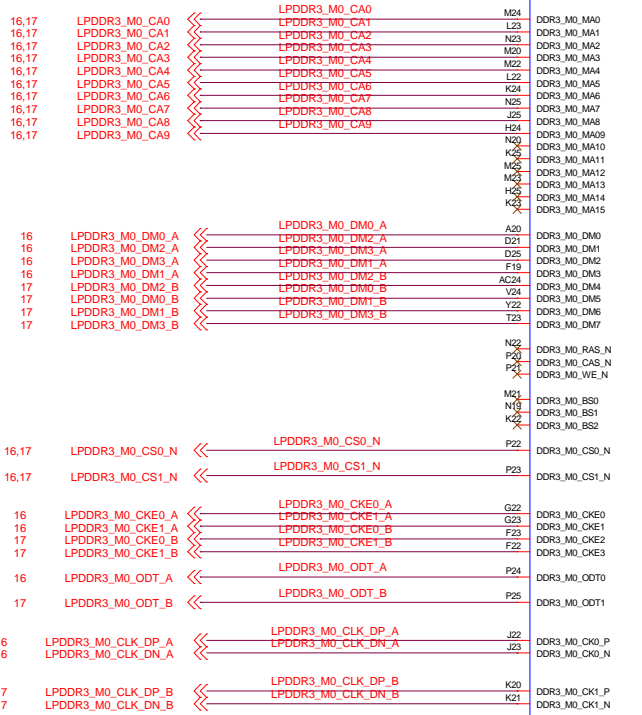
POWER MAP





SOC: MEMORY

IPN:H28446-001 [UL3](#) SOC\_CHV IPN:H28446-001



REV = 0.71

1 OF 8

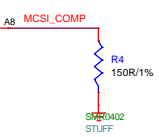
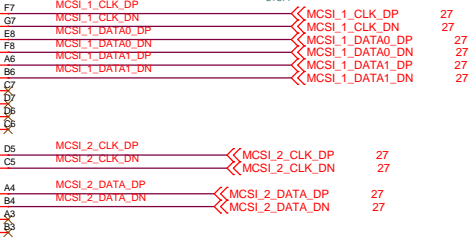
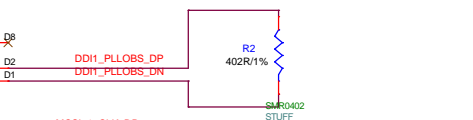
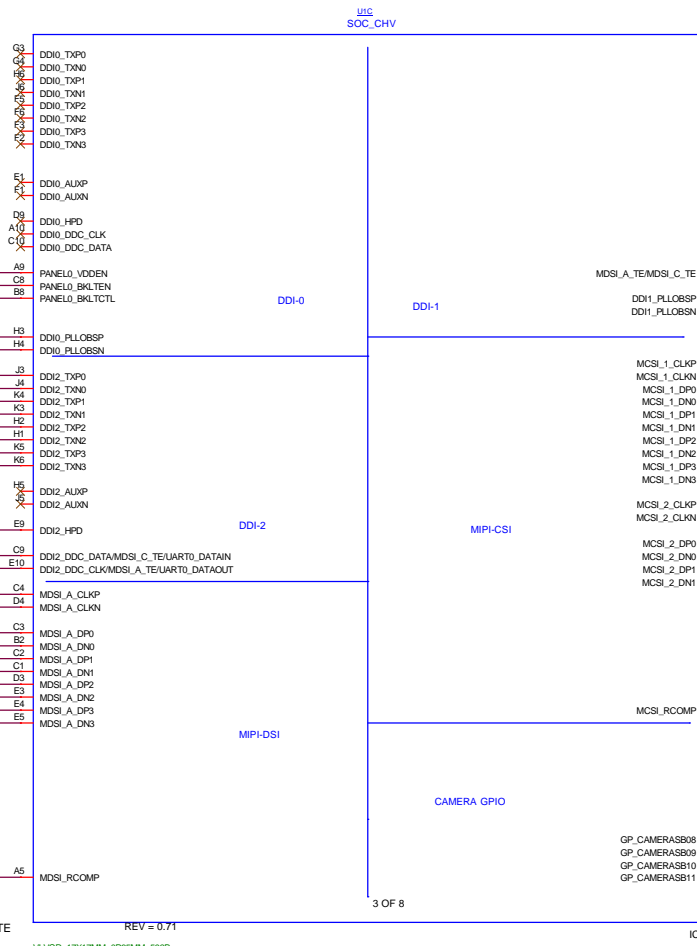
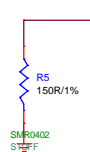
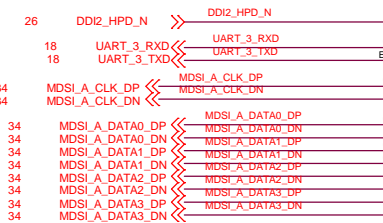
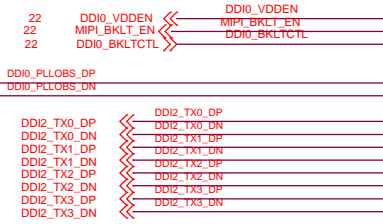
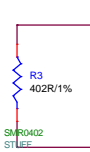
ECO No.	Fmdor 亿道电子 <a href="http://www.endoor.com">http://www.endoor.com</a>	
Designer		
Reviewed		
Approved	Title:	
DO NOT REPRODUCE	Size	Drawing No.
FOR INTERNAL USE ONLY	Quantity	Rev.
	Date: Monday, November 16, 2020	Sheet 3 of 36

# SOC:DISPLAY&CAMERA

eDP:  
 VDDEN->LCD PWR EN  
 BKLTEN->LCD B/L EN  
 BKLTCTL->LCD B/L PWM

LVDS:  
 VDDEN->LCD PWR & Bridge PWR EN  
 BKLTEN->LCD B/L EN  
 BKLTCTL->LCD B/L PWM

MIPI:  
 VDDEN->LCD RST  
 BKLTEN->LCD B/L EN  
 PWM0(Page 7,AD3)->LCD B/L PWM  
 BKLTCTL->LCD PWR EN

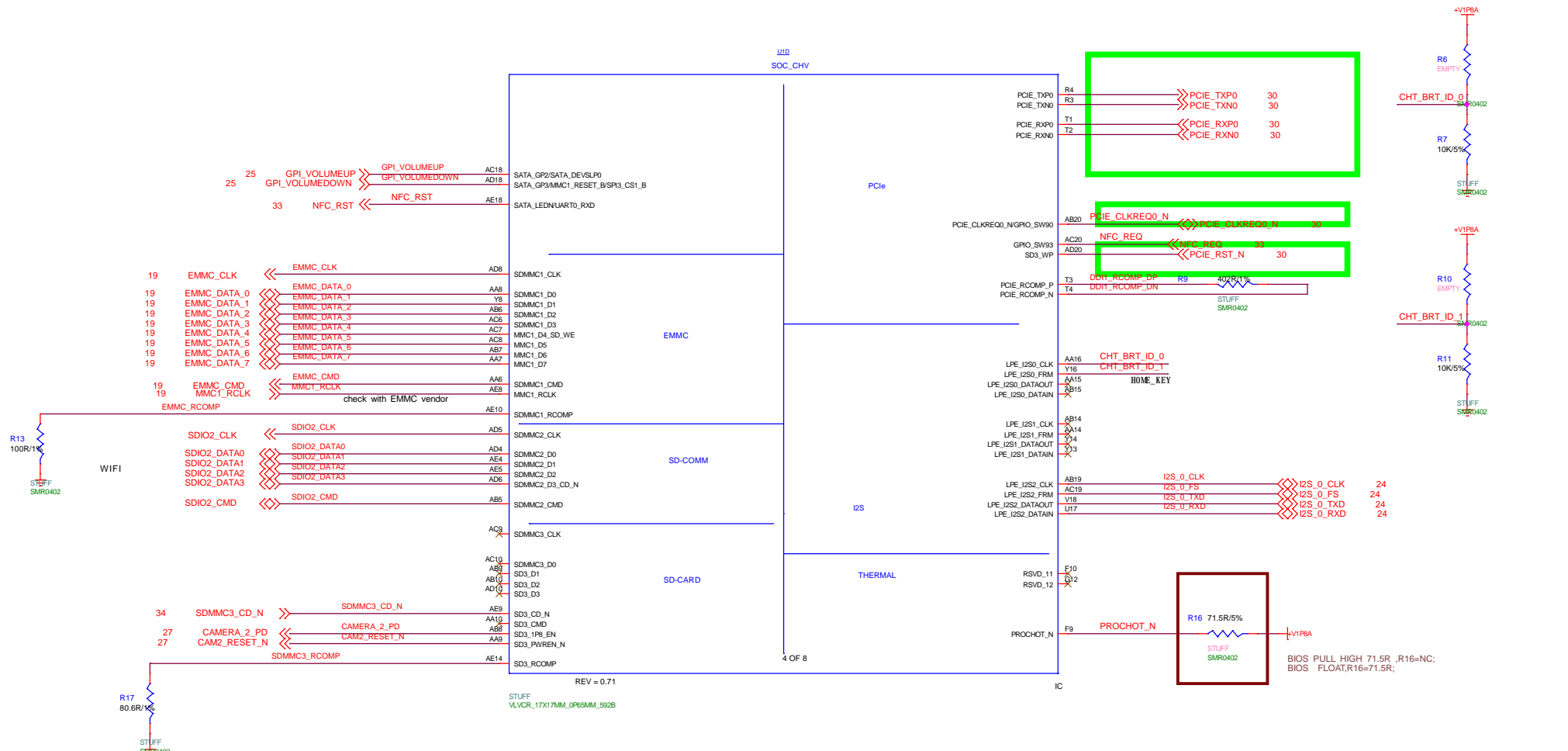


ECO No.		Emsdor 亿道电子		Http: www.emsdor.com	
Designer					
Reviewed					
Approved					
DO NOT REPRODUCE	Version	SCHEMATIC		Drawing No.	Rev.
FOR INTERNAL USE ONLY	Customer				V1
	Date:	Monday, November 16, 2020		Sheet	4 of 36

# SOC:STORAGE/I2S

## SOC:STORAGE/I2S

UID  
SOC\_CHV



REV = 0.71

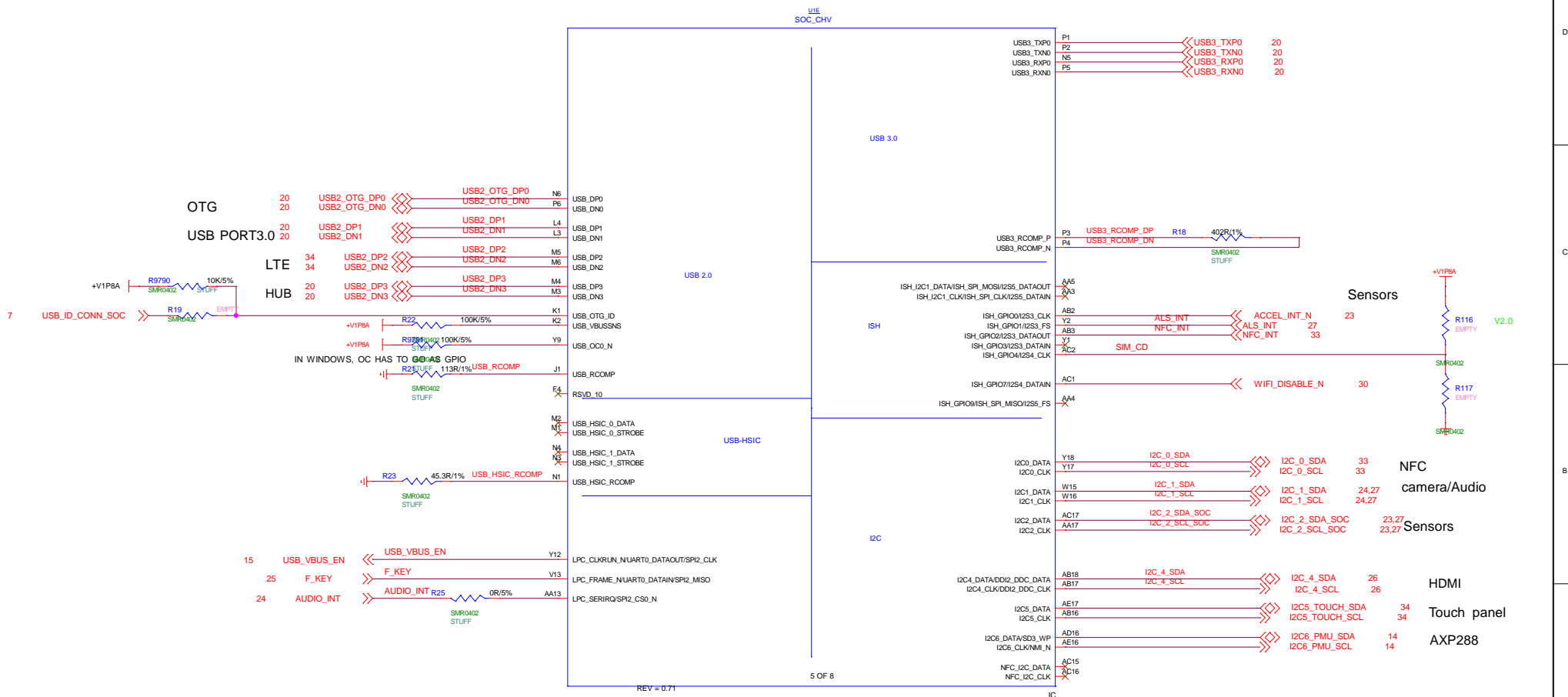
STUFF  
VLVCR\_17X17MM\_OP65MM\_592B

4 OF 8

IC

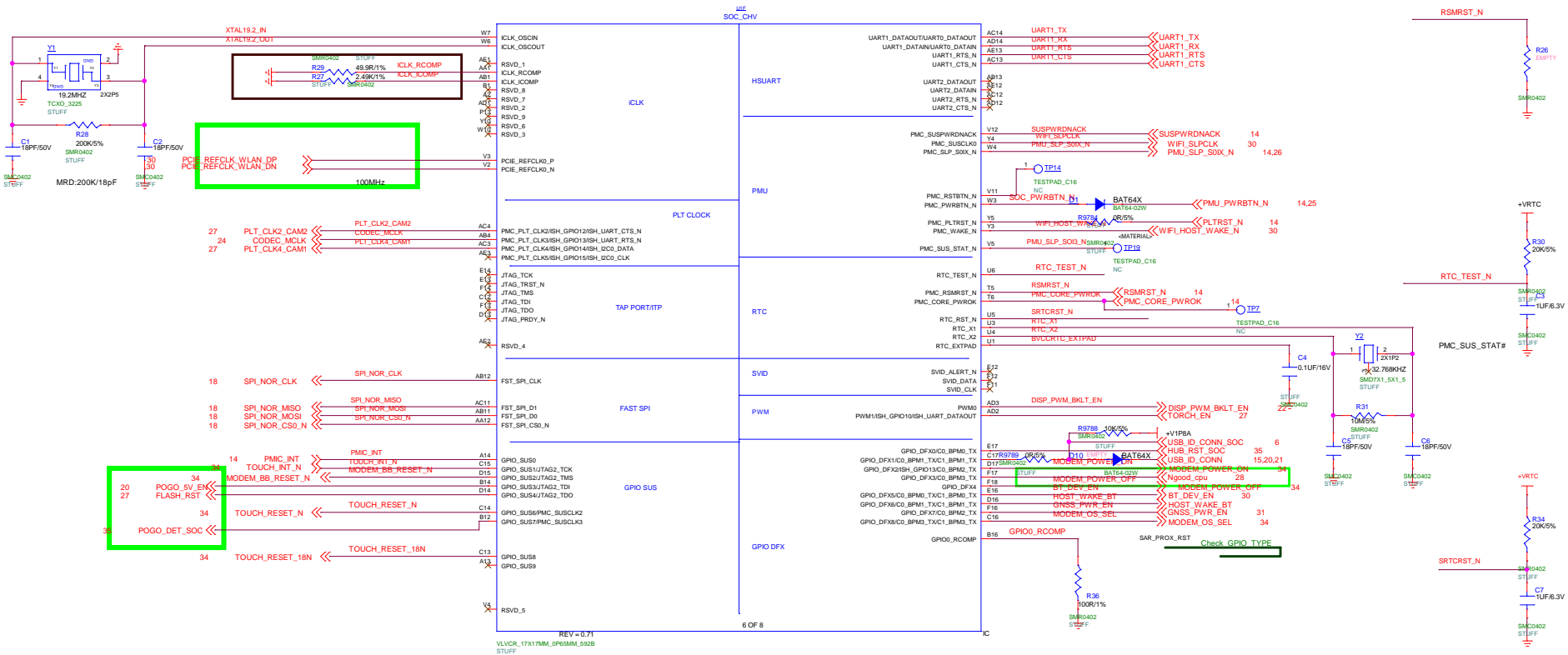
ECO No.		Emsdor 亿道电子 <a href="http://www.emdoor.com">http://www.emdoor.com</a>	
Designer			
Reviewed			
Approved			
DO NOT REPRODUCE FOR INTERNAL USE ONLY	Size: Customer	Title: SCHEMATIC	Drawing No. V1
	Date: Monday, November 16, 2020	Sheet 5 of 36	

SOC:USB/I2C



CAD NOTE: RCOMP: PLACE AS CLOSE AS POSSIBLE TO SOC. PREFERABLY TRACE RESISTANCE < 0.5OHM

ECO No.		 #tcp: www.emdoor.com
Designer		
Reviewed		
Approved		Title: <b>SCHEMATIC</b> Drawing No. <b>V1</b> Date: Monday, November 16, 2020 Sheet 6 of 36
DO NOT REPRODUCE FOR INTERNAL USE ONLY		



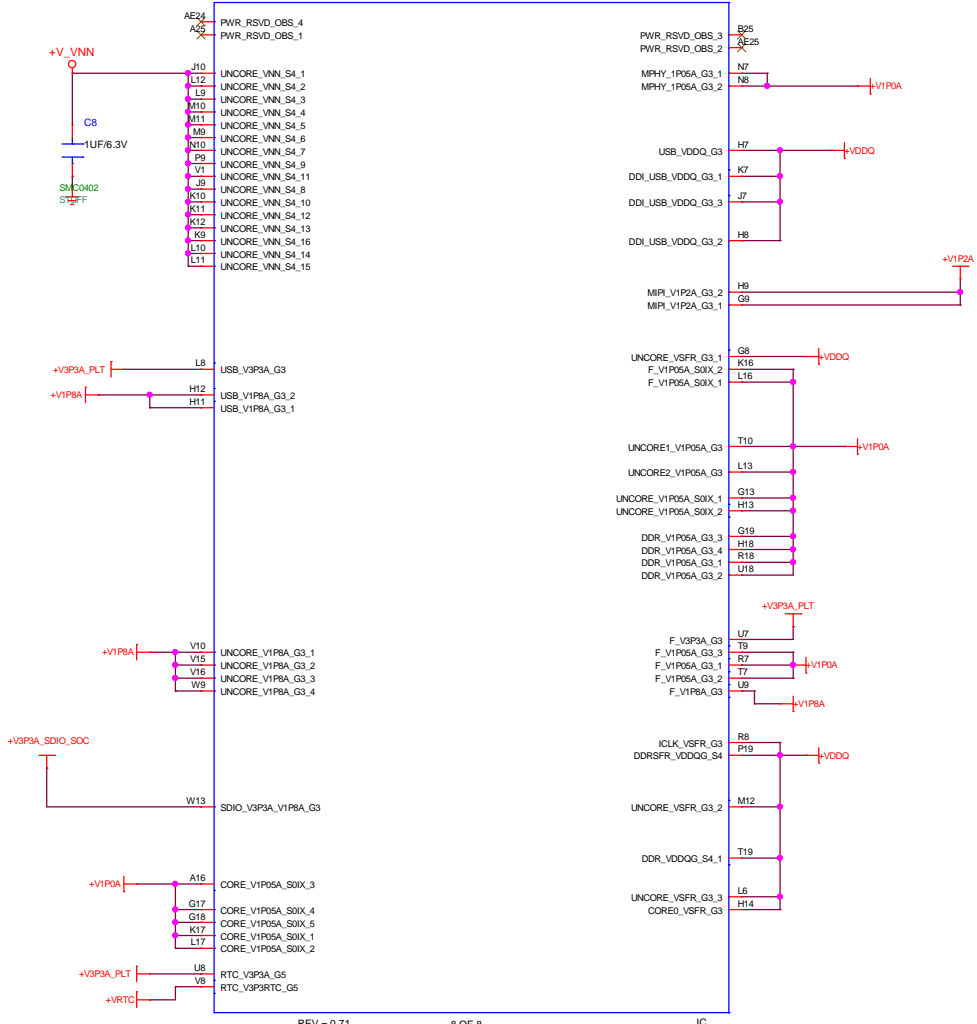
REV = 0.71  
VLVCR\_17X17MM\_0P95MM\_0928  
STUFF

ECO No.		www.esdocr.com
Drawn by	ESD	
Reviewed		
Approved		
DO NOT REPRODUCE	File Name	Customer
For internal use only	Date: Monday, November 16, 2020	Sheet 7 of 36




# SOC:POWER 2

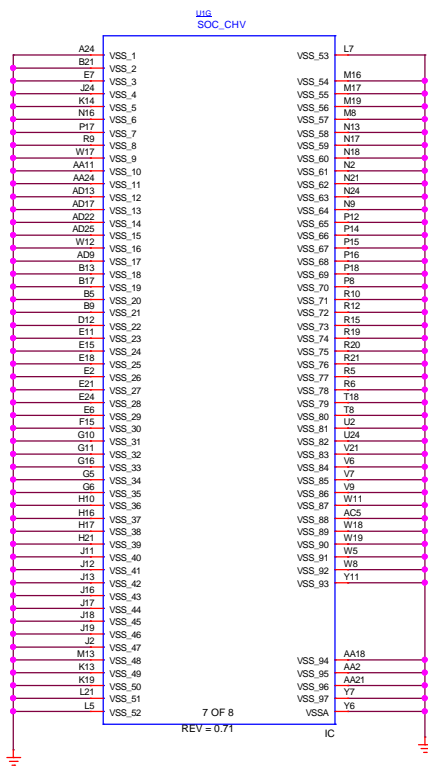
SOC\_CHV  
U1H



REV = 0.71 8 OF 8 IC

ECO No.		 <a href="http://www.emsdoor.com">Http: www.emsdoor.com</a>	
Designer			
Reviewed		Title: <b>SOC:POWER 2</b> Customer: <b>SOC:POWER 2</b>	
Approved			
DO NOT REPRODUCE	Version: <b>SOC:POWER 2</b>	Drawing No. <b>SOC:POWER 2</b>	Rev. <b>V1</b>
FOR INTERNAL USE ONLY	Date: Monday, November 16, 2020	Sheet 9 of 36	

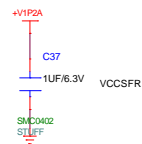
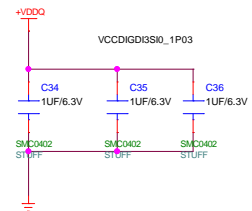
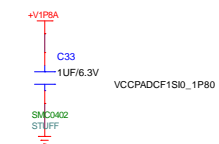
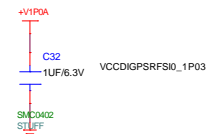
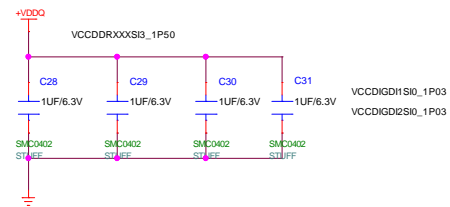
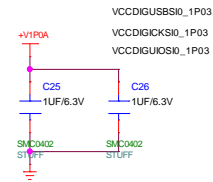
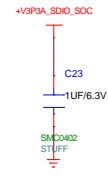
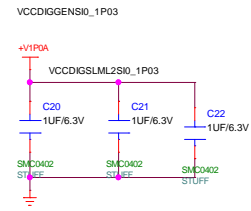
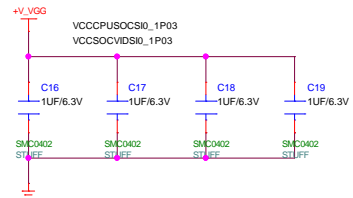
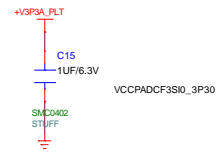
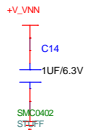
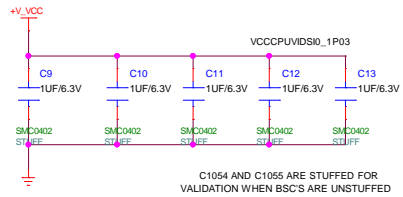
SOC:GND



ECO No.		 <a href="http://www.emdoor.com">Http: www.emdoor.com</a>
Designer		
Reviewed		Title: <b>SOC:GND</b> Customer: <b>SOC:GND</b>
Approved		
DO NOT REPRODUCE	FOR INTERNAL USE ONLY	Date: Monday, November 16, 2020 Sheet 10 of 36
		Drawing No. <b>SCHMATIC</b> Rev. <b>V1</b>

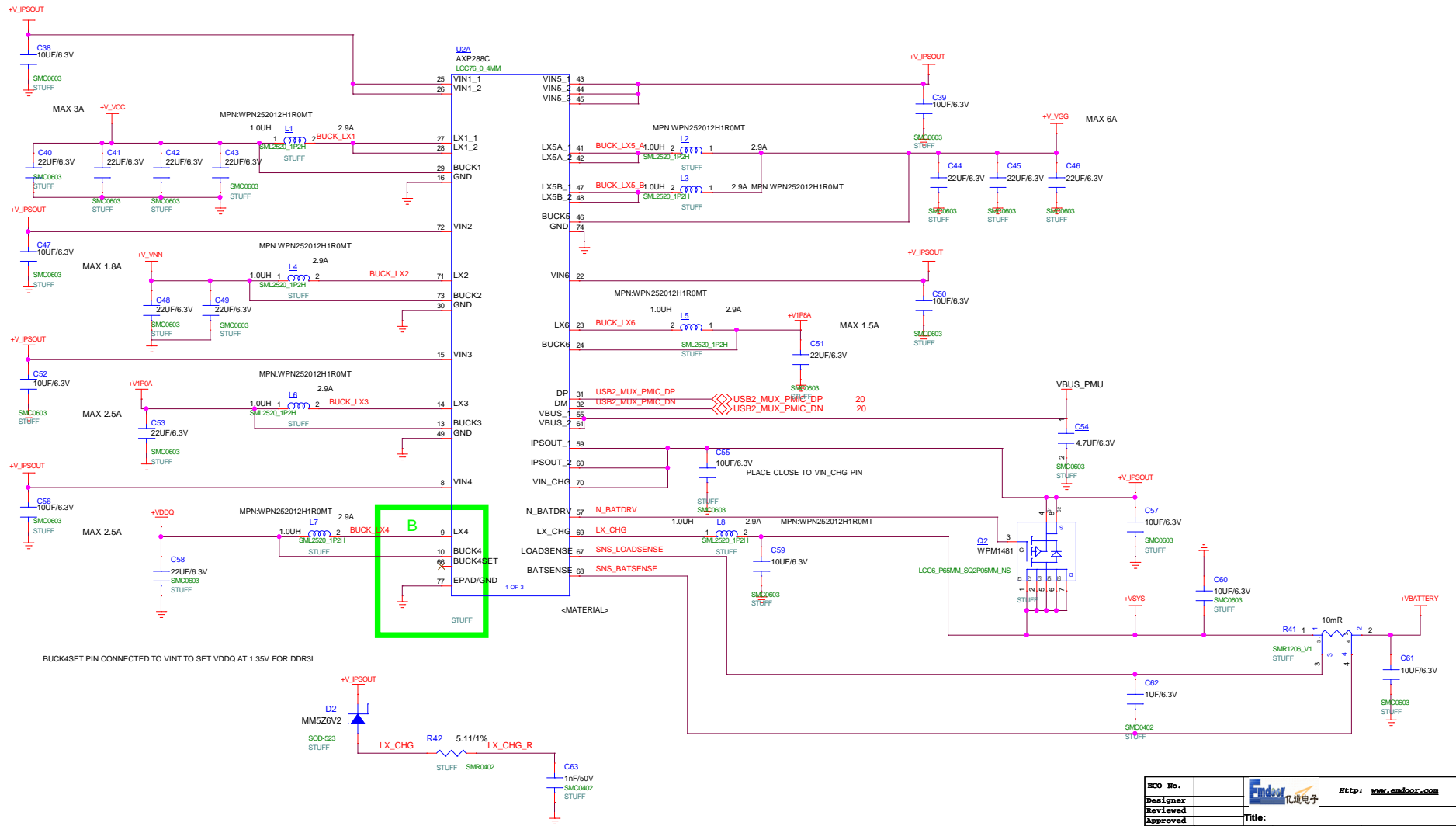


SOC:DECOUPLING




ECO No.		Emdoor 化通电子 #http: www.emdoor.com	
Designer		Title:	
Reviewed		S1E1	
Approved		Customer	SCHMATIC
DO NOT REPRODUCE		Date: Monday, November 16, 2020	Drawing No. V1
FOR INTERNAL USE ONLY			Rev. V1
		Sheet 11	of 36

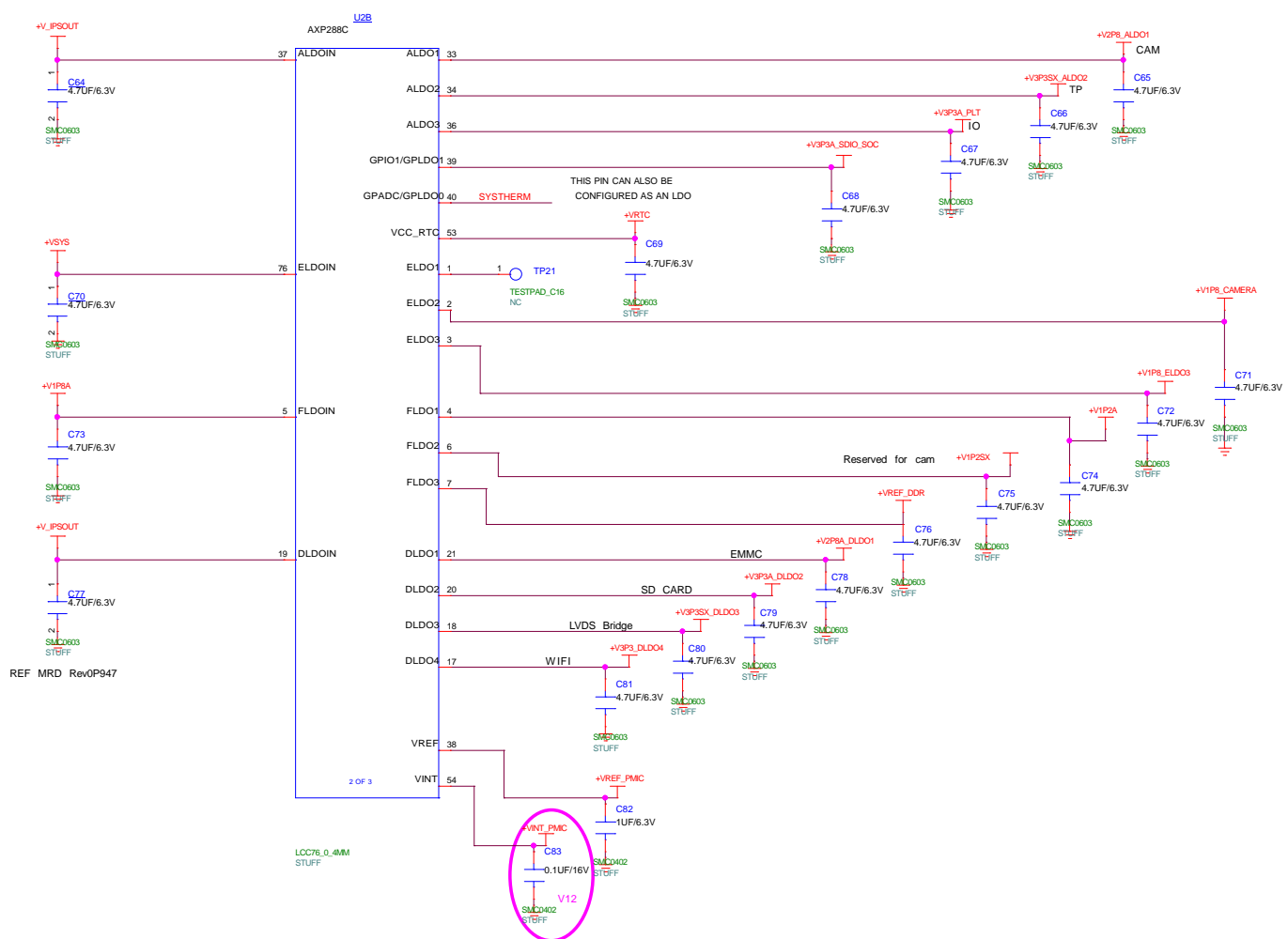
PMIC: SWITCHING REGULATORS



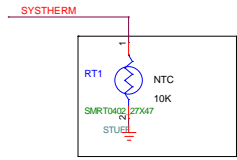
BUCK4SET PIN CONNECTED TO VINT TO SET VDDQ AT 1.35V FOR DDR3L

ECO No.		 <a href="http://www.endoor.com">Http:// www.endoor.com</a>	
Designer			
Reviewed		Title:	
Approved		Customer:	
DO NOT REPRODUCE FOR INTERNAL USE ONLY	Site Date: Monday, November 16, 2020	SCHEMATIC	Sheet No. 12 of 36
		Rev. V1	

PMIC: LDOS

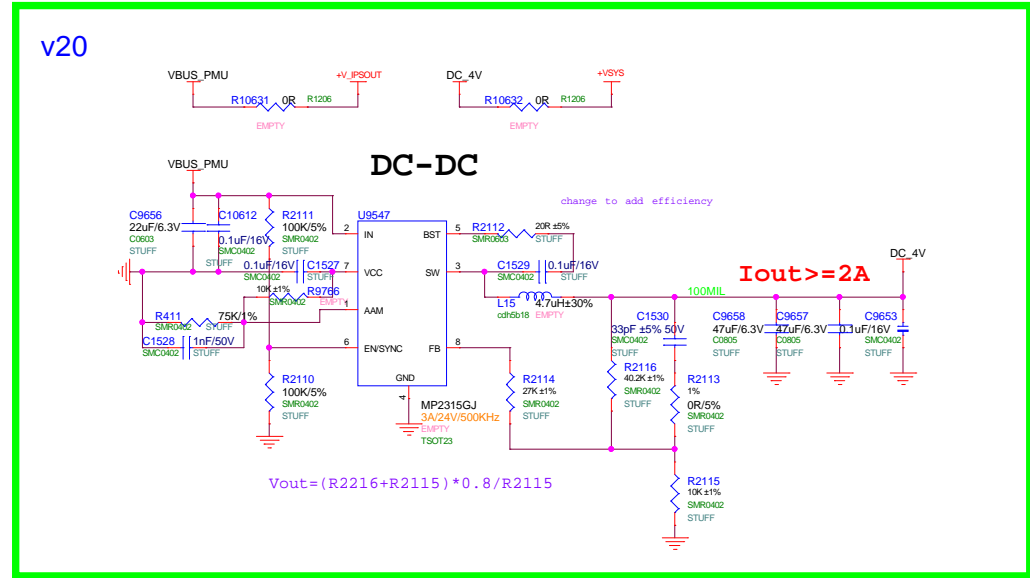
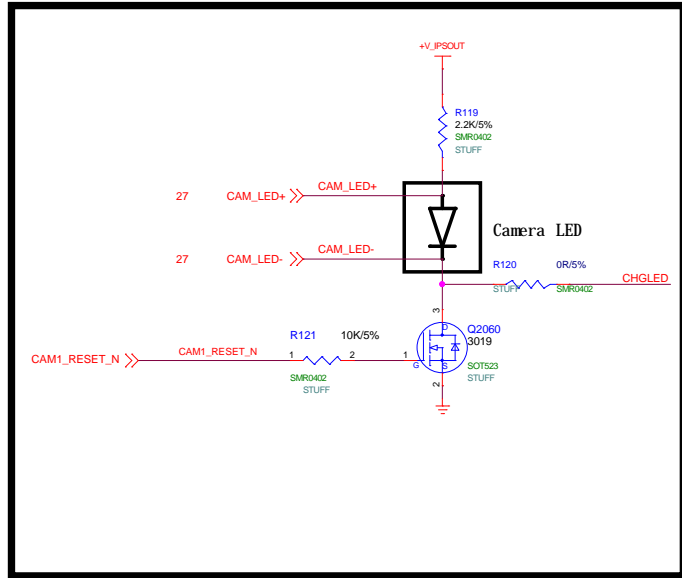
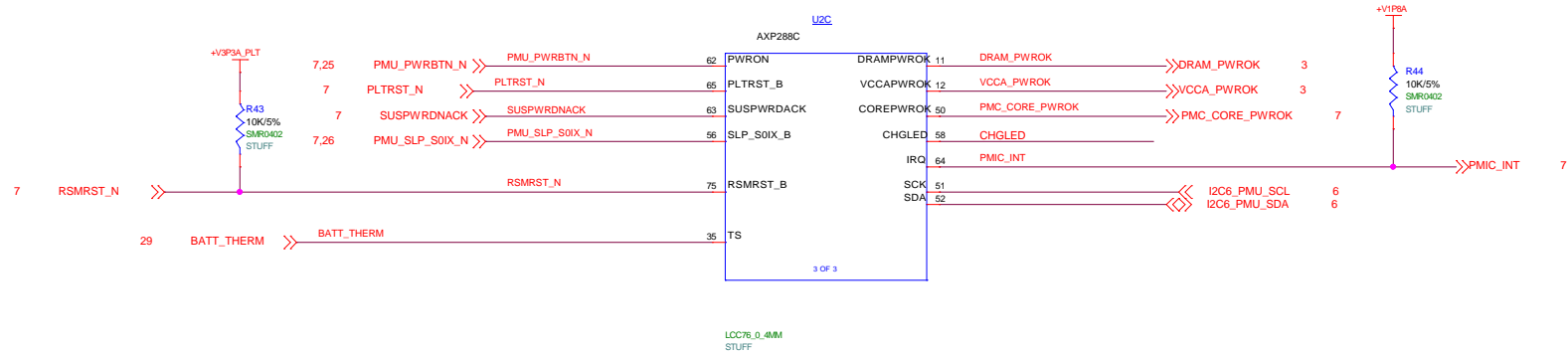


V2.0 :DO NOT too close to PMIC STUFF



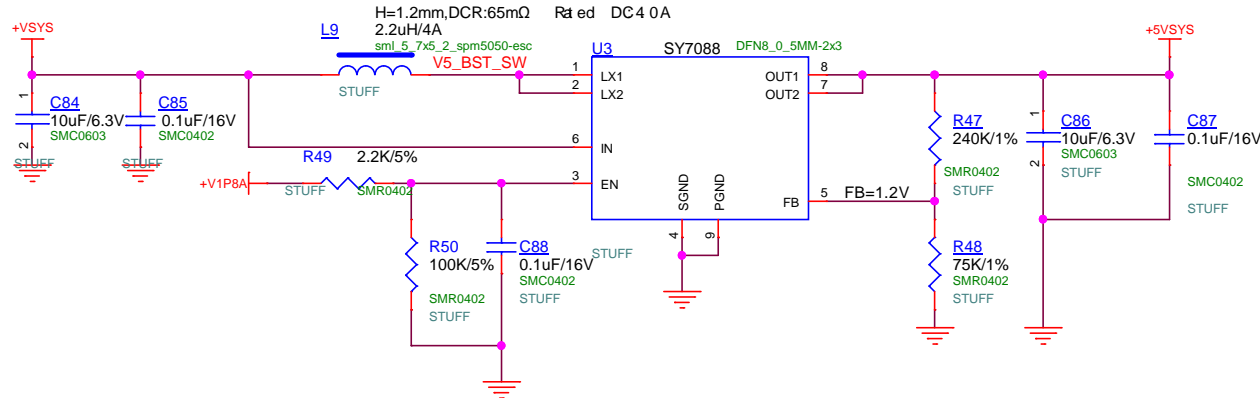
ECO No.		Emdoor 化通电子		http: www.emdoor.com
Designer				
Reviewed				
Approved				
DO NOT REPRODUCE FOR INTERNAL USE ONLY	Size Custom	SCHMATIC	Drawing No. V1	Rev. V1
	Date: Monday, November 16, 2020	Sheet 13	of 36	

PMIC: HOST & MISC INTERFACES

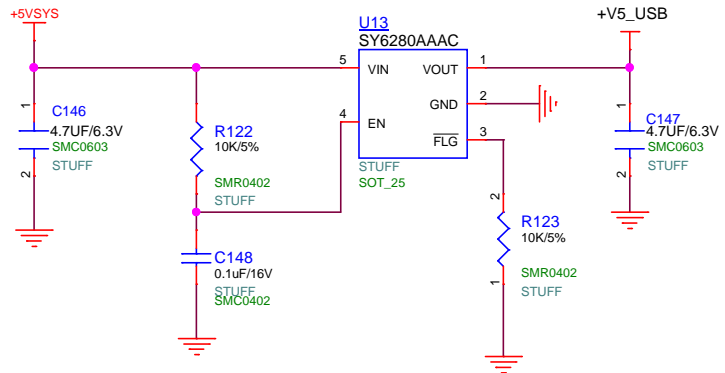


ECO No.		Emdoor 化通电子 <a href="http://www.emdoor.com">http://www.emdoor.com</a>	
Designer		TRIE:	
Reviewed		Size	Customer
Approved		DATE	SCHEMATIC
DO NOT REPRODUCE	FOR INTERNAL USE ONLY	Date: Monday, November 16, 2020	Drawing No. Rev. V1
		Sheet 14	of 36

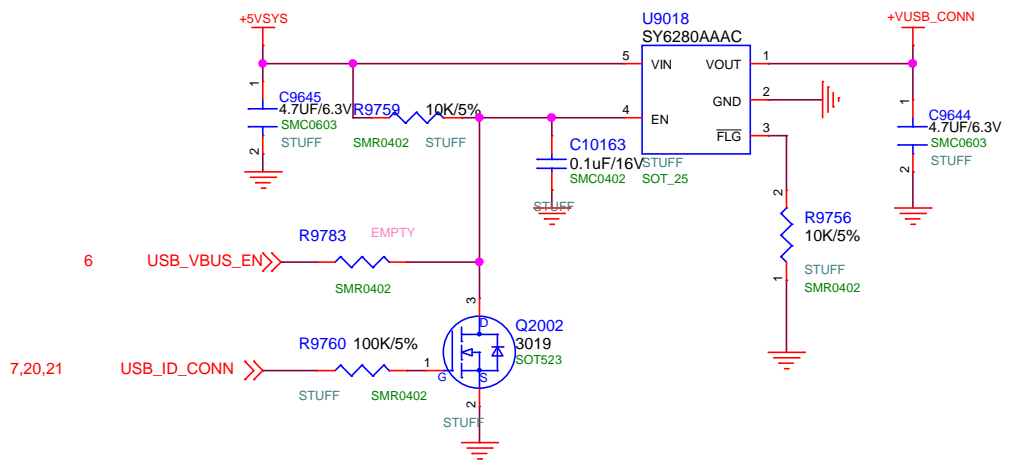
# BOOST\_5V




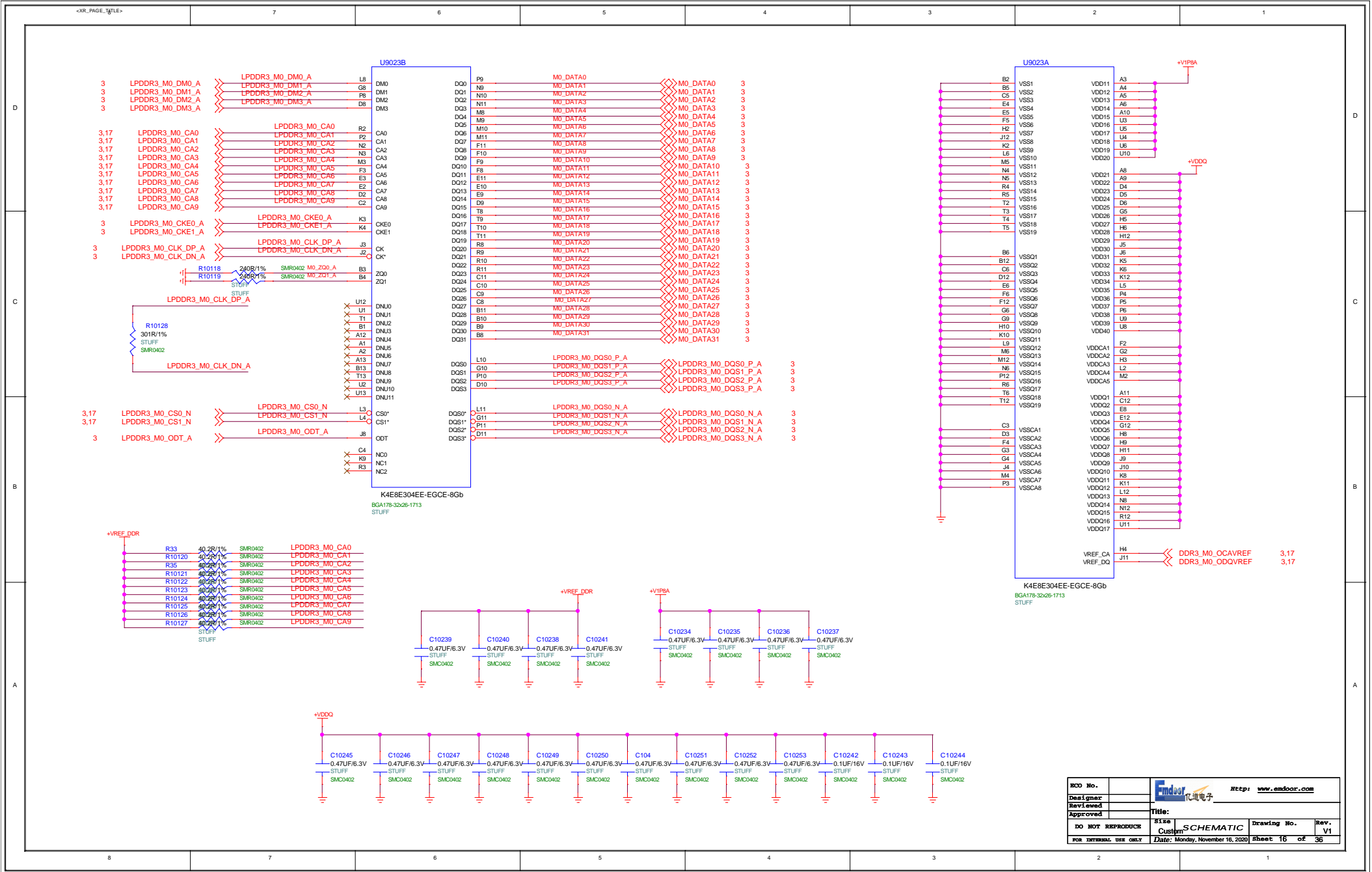
# POGOPIN\_5V



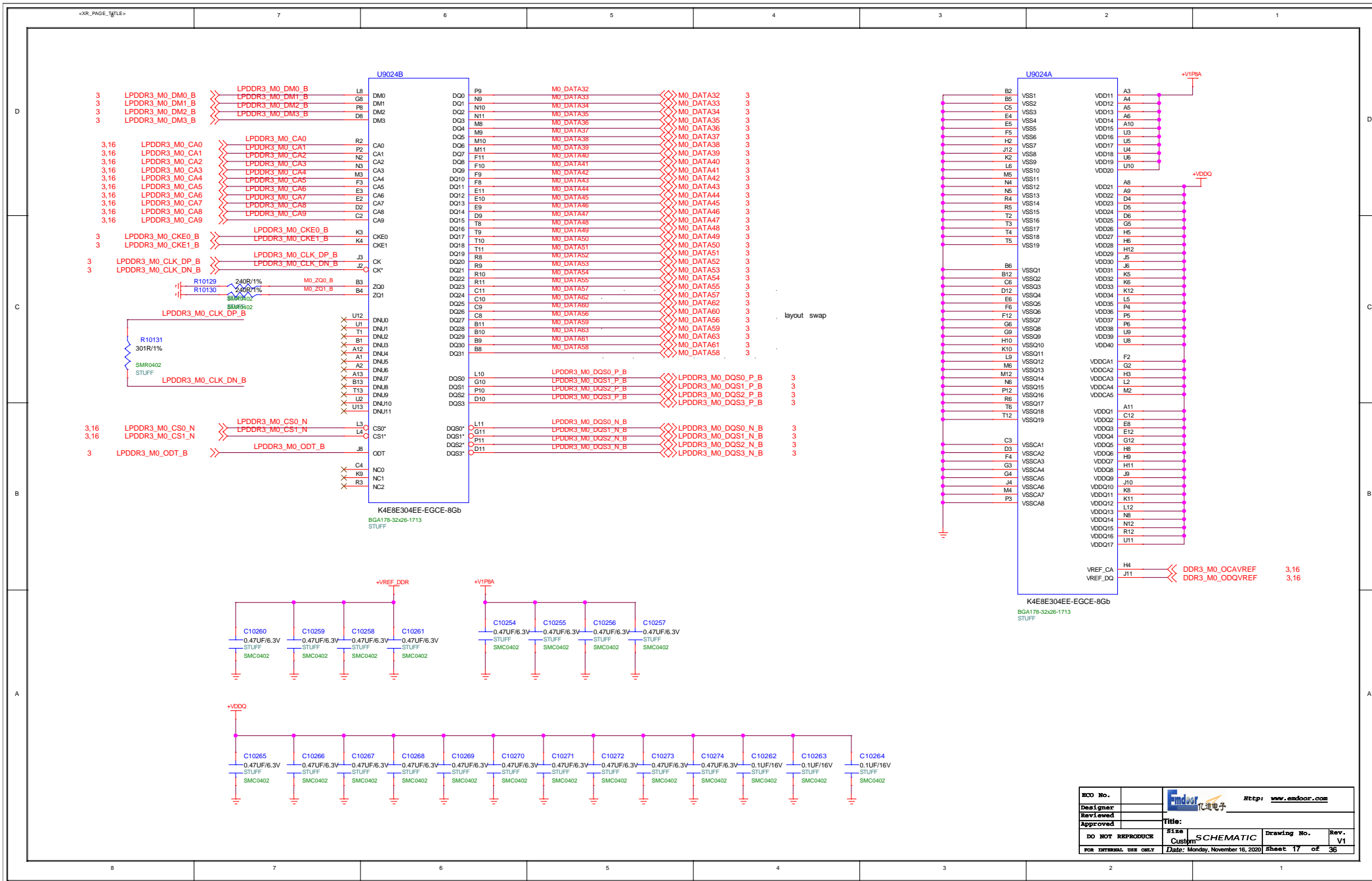
# 680mA




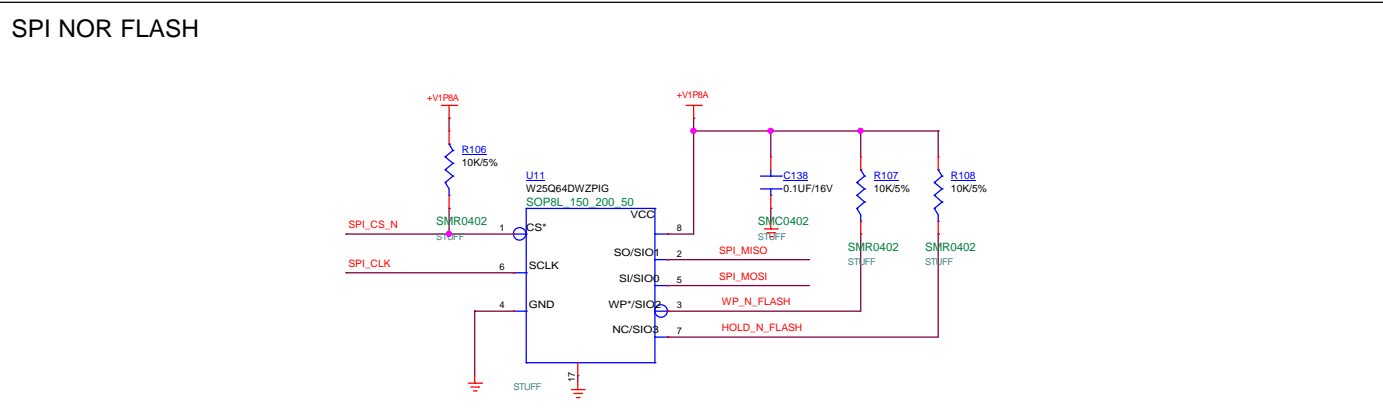
ECO No.		 <a href="http://www.emdoor.com">Http: www.emdoor.com</a>	
Designer		Title:	
Reviewed		DO NOT REPRODUCE	Size A4
Approved		FOR INTERNAL USE ONLY	Date: Monday, November 16, 2020
		SCHMATIC	Drawing No.
		Sheet 15 of 36	Rev. V1



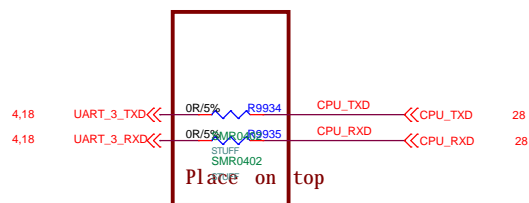
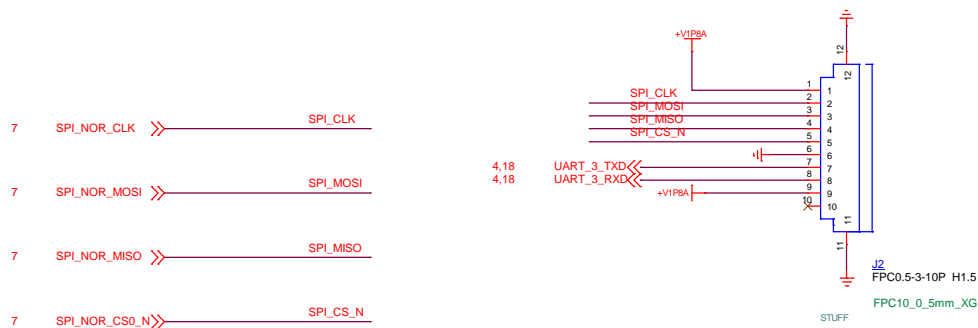
ECO No.		 <a href="http://www.emdoor.com">http://www.emdoor.com</a>
Designer		
Reviewed		Title: Size: Customer: <b>SCHMATIC</b>
Approved		
DO NOT REPRODUCE FOR INTERNAL USE ONLY	Date: Monday, November 16, 2020	Drawing No. Rev. V1 Sheet 16 of 36



ECO No.		 化通电子 <a href="http://www.emdoor.com">http://www.emdoor.com</a>
Designer		
Reviewed		Title: DO NOT REPRODUCE FOR INTERNAL USE ONLY
Approved		
		Date: Monday, November 16, 2020 Drawing No. SCHEMATIC Rev. V1 Sheet 17 of 36



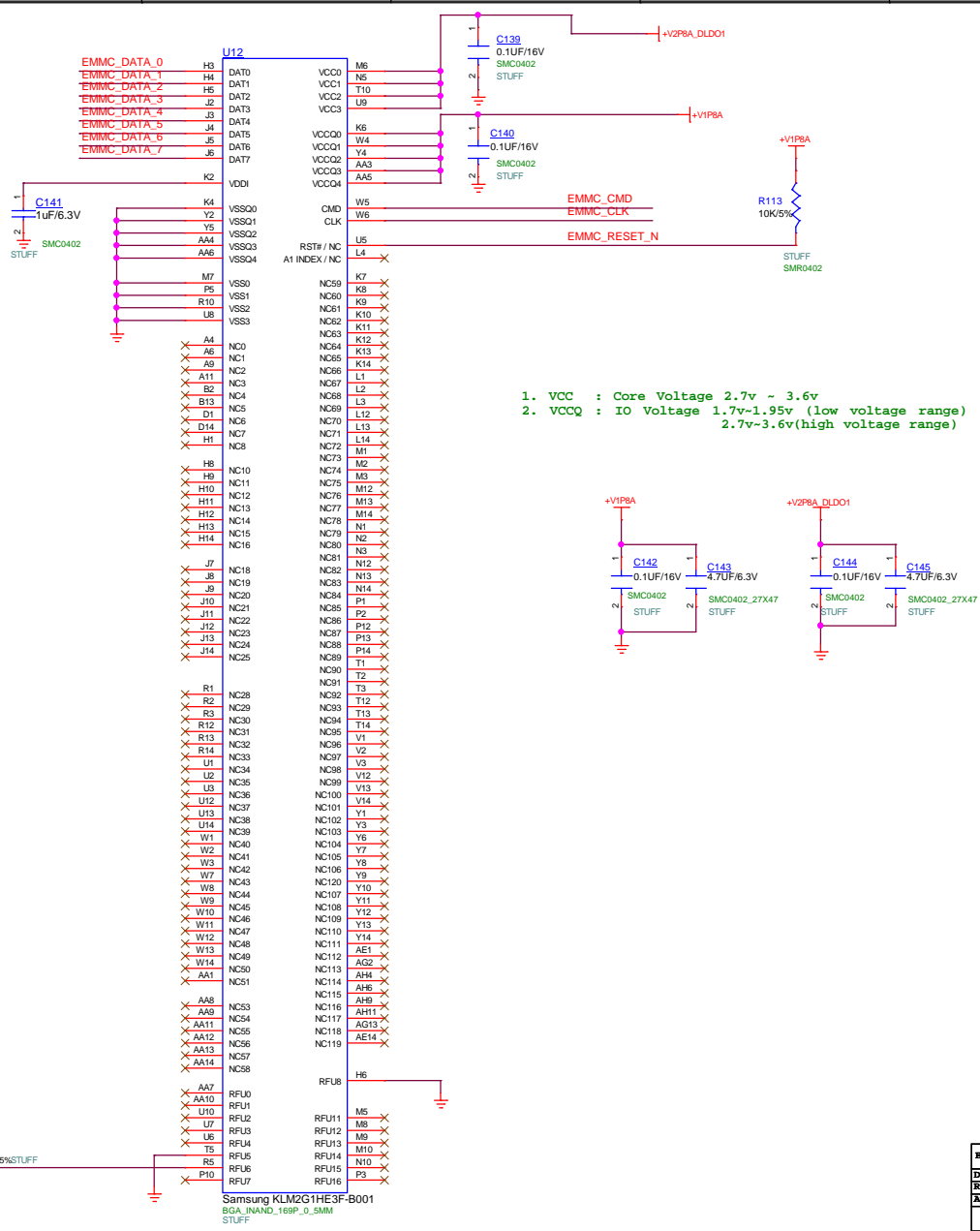
### DEBUG CNN



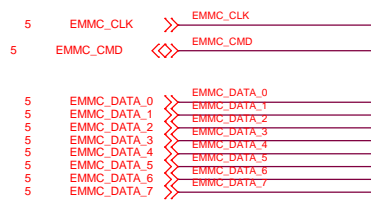
ECO No.		Emsdoor 芯通电子 <a href="http://www.emsdoor.com">http://www.emsdoor.com</a>	
Designer			
Reviewed			
Approved			
DO NOT REPRODUCE	SIZE	Customer	Drawing No.
FOR INTERNAL USE ONLY	Custom	DATE: Monday, November 16, 2020	Sheet 18 of 36
			Rev. V1



# EMMC



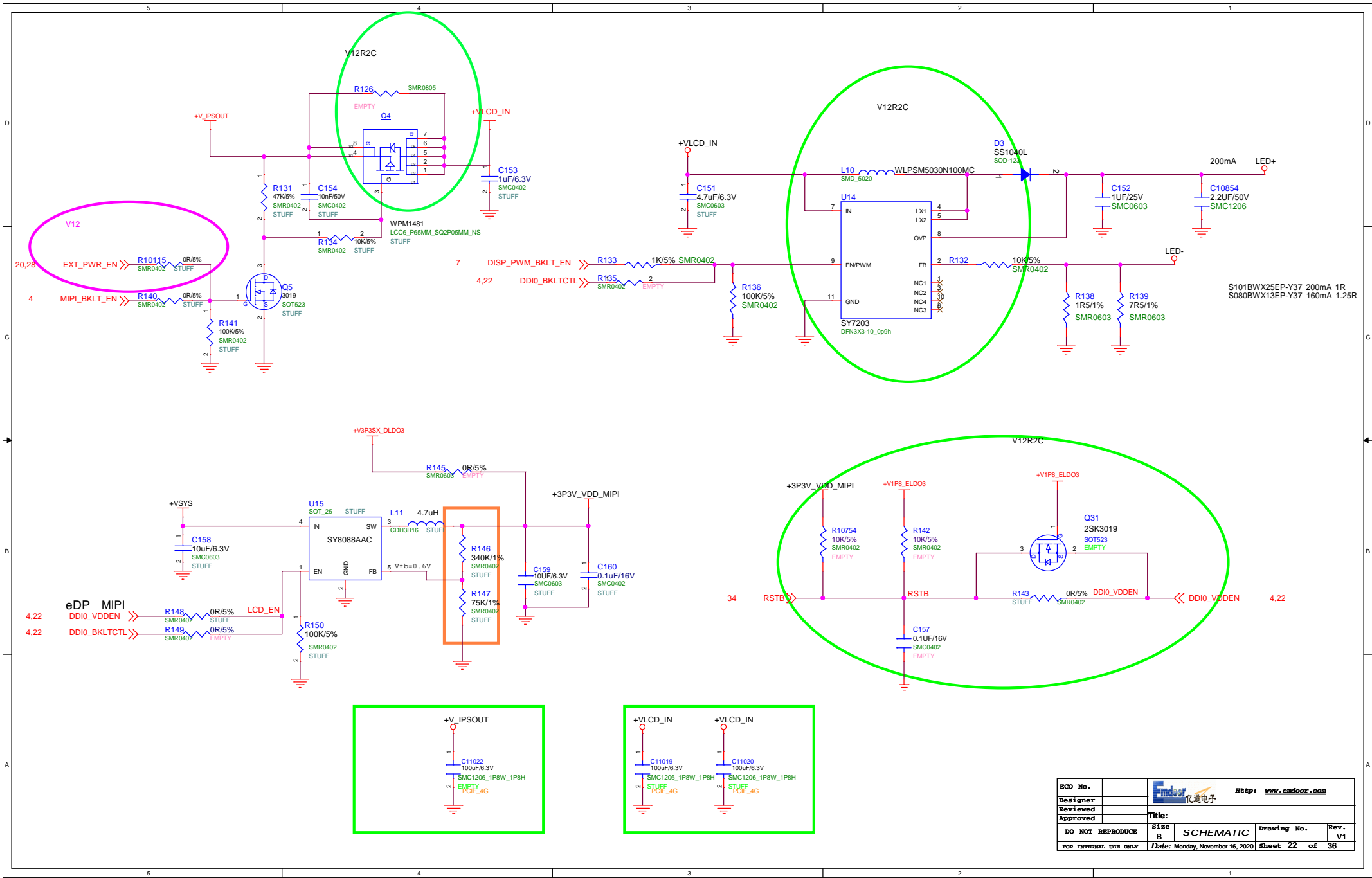
1. VCC : Core Voltage 2.7v ~ 3.6v
2. VCCQ : IO Voltage 1.7v~1.95v (low voltage range)  
2.7v~3.6v(high voltage range)



ECO No.		Emsdoor 化道电子		Http: www.emsdoor.com	
Designer					
Reviewed					
Approved					
DO NOT REPRODUCE FOR INTERNAL USE ONLY	Size Custom	Title SCHEMATIC	Drawing No.	Rev. V1	
	Date: Monday, November 16, 2020	Sheet 19	of 36		





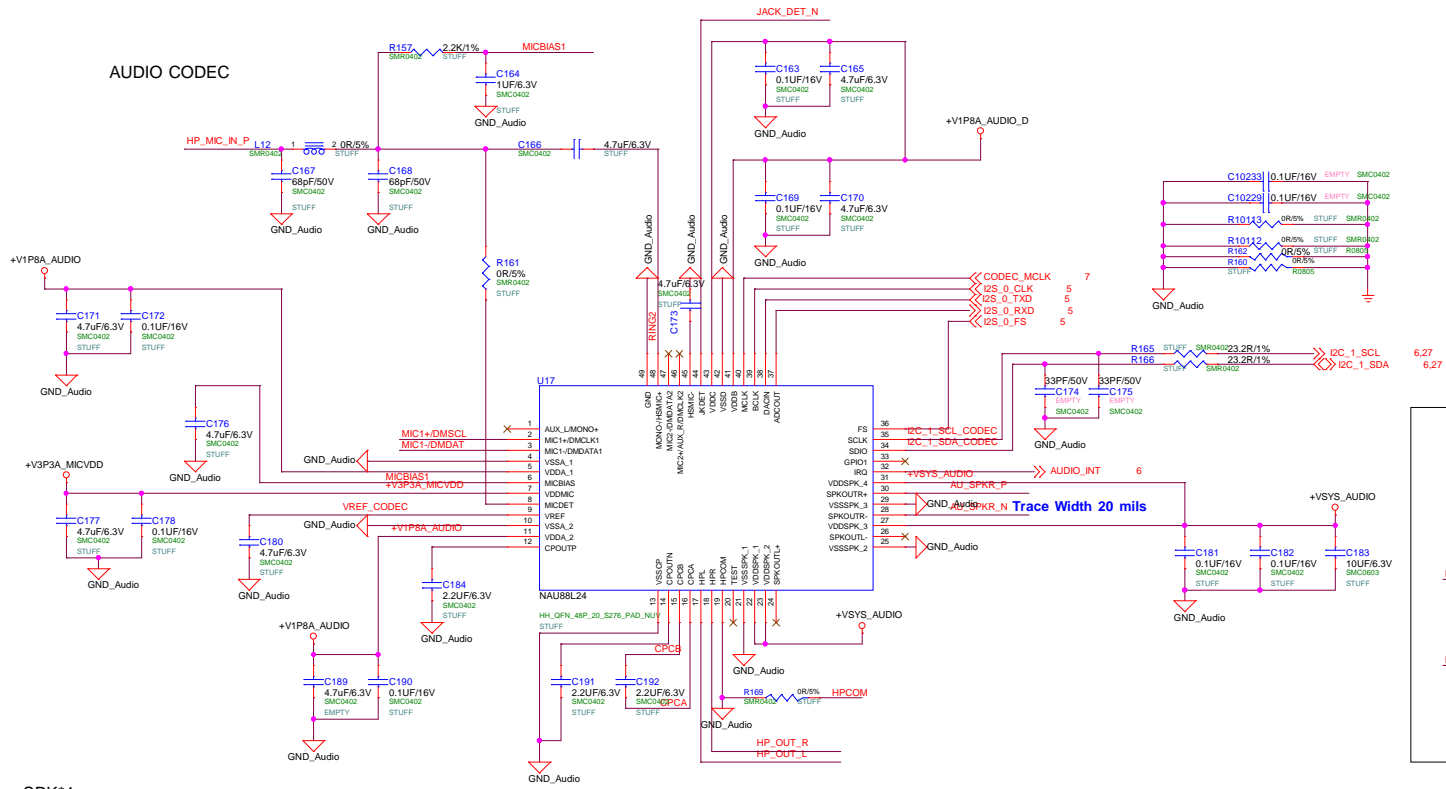


S101BW25EP-Y37 200mA 1R  
S080BW13EP-Y37 160mA 1.25R

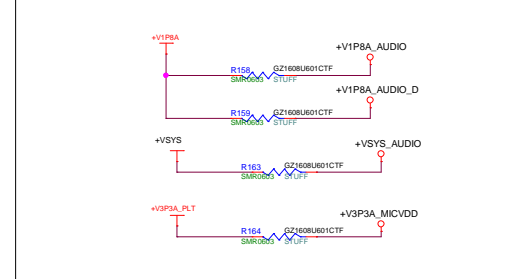
ECO No.		Emdoor 亿通电子 <a href="http://www.emdoor.com">Http: www.emdoor.com</a>	
Designer			
Reviewed			
Approved		Title:	
DO NOT REPRODUCE	Size B	SCHEMATIC	Drawing No.
FOR INTERNAL USE ONLY	Date: Monday, November 16, 2020	Sheet 22	of 36
			Rev. V1



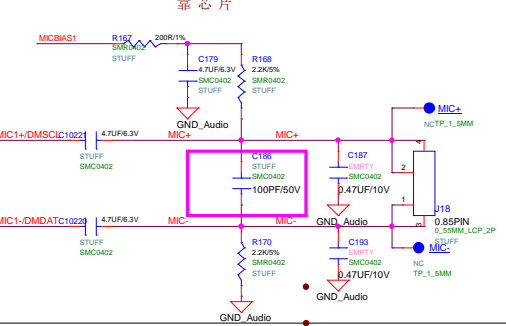
### AUDIO CODEC



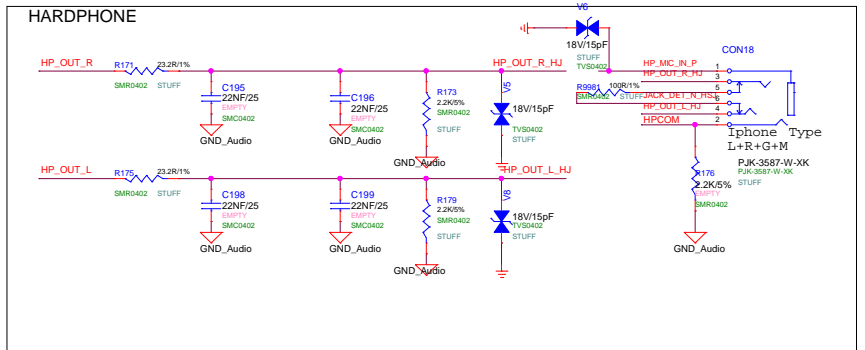
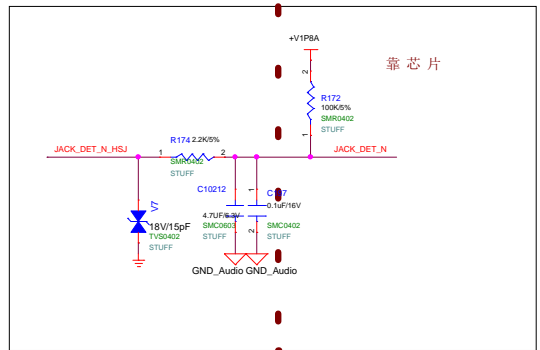
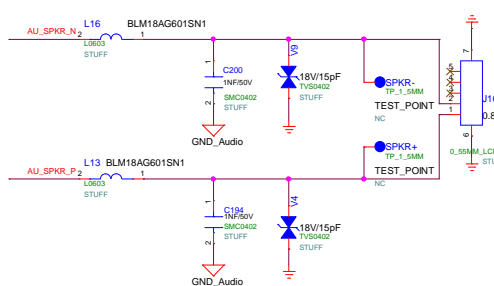
### CODEC POWER



### MICPHONE

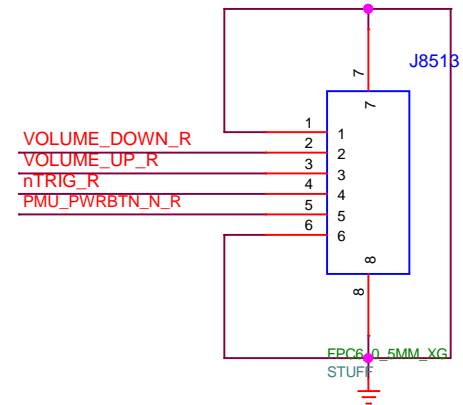
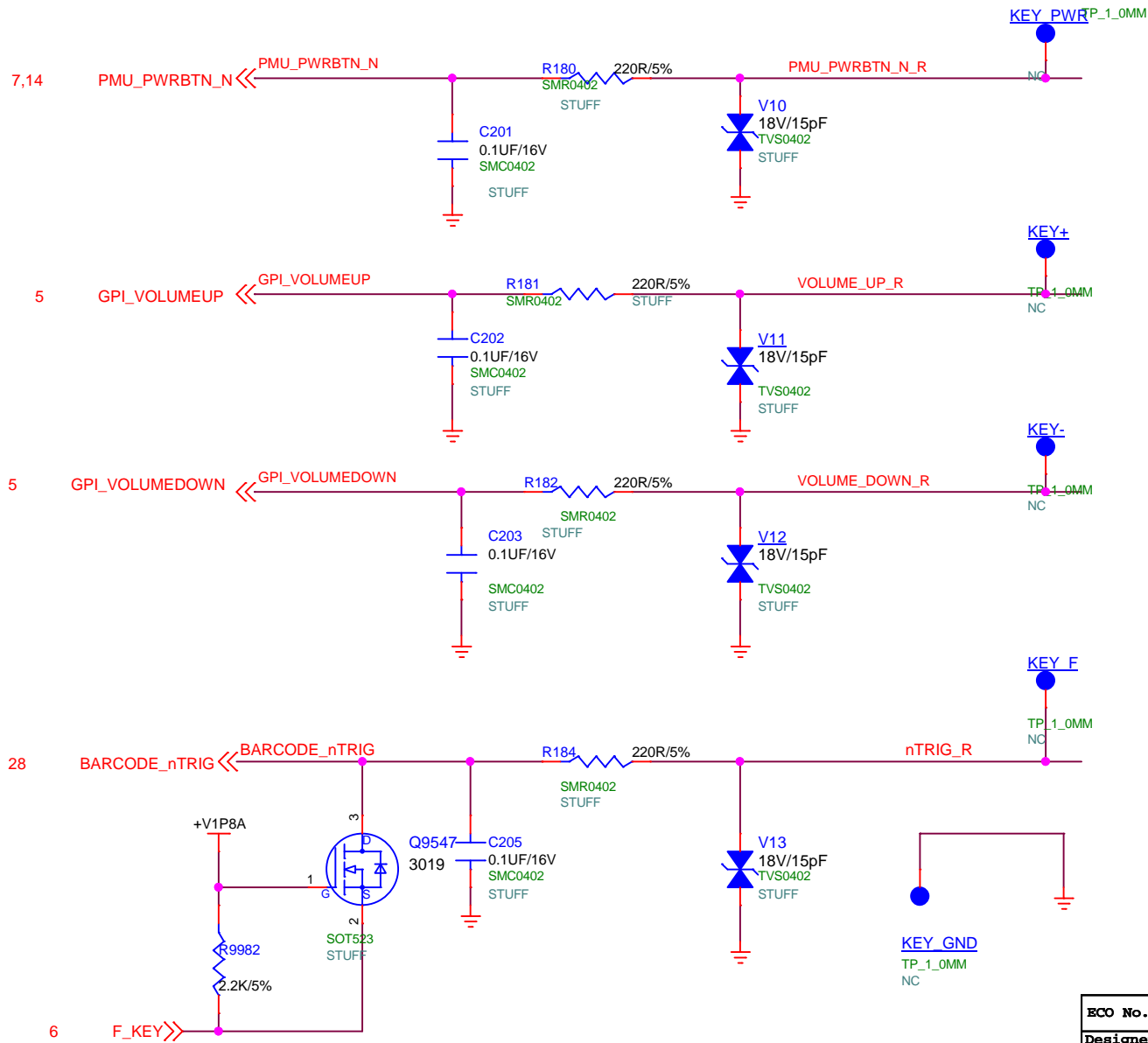


### SPK\*1



ECO NO.		IPC: www.ipc.com
Designer		
Reviewed		
Approved		
DO NOT REPRODUCE FOR INTERNAL USE ONLY	File: SCHEMATIC	Drawing No. V1
	Date: Monday, November 16, 2020	Sheet 24 of 36

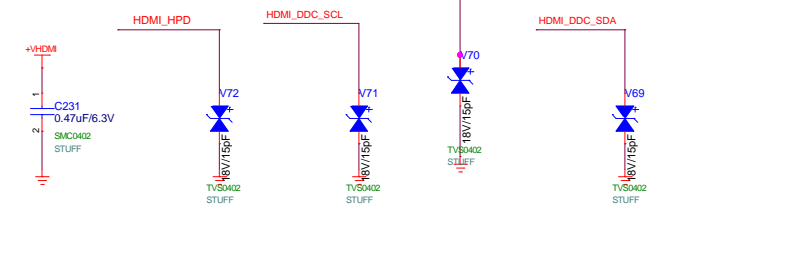
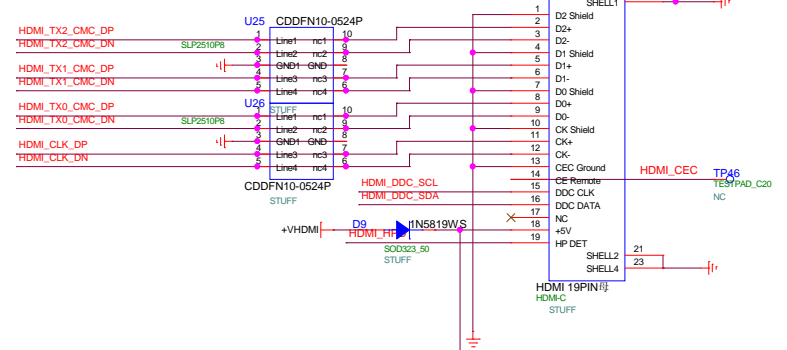
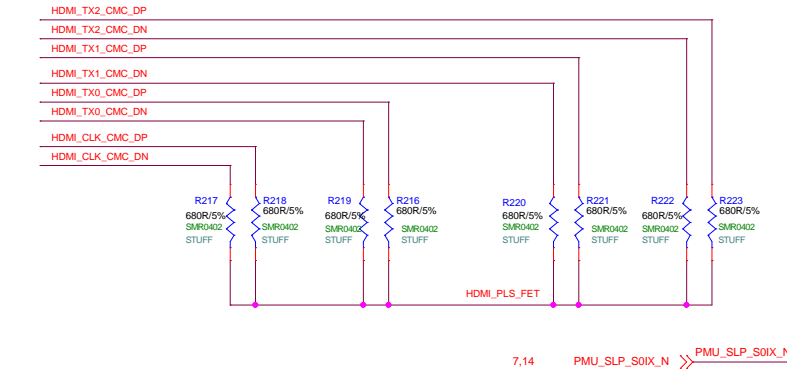
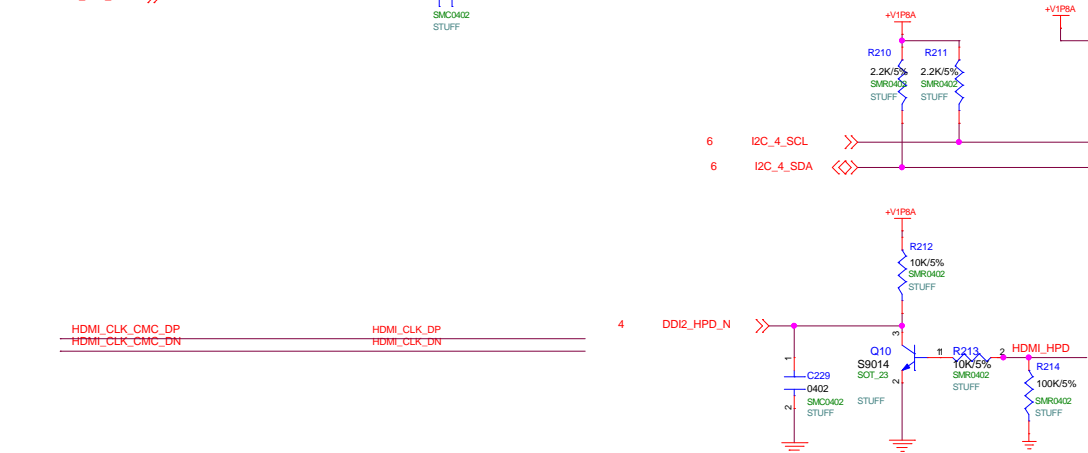
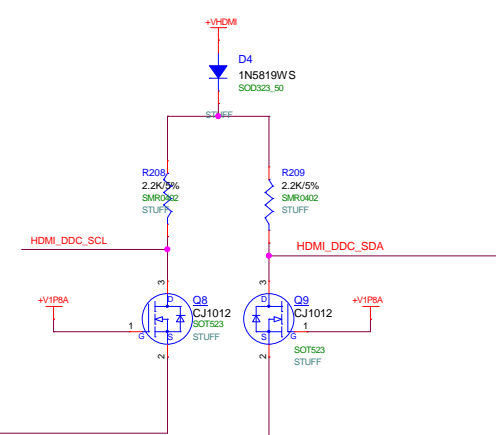
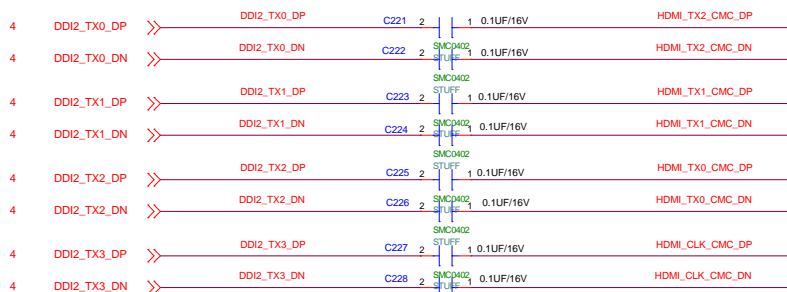
# BUTTONS



Connect Buttons

ECO No.				
Designer	Emdoor 化道电子 <a href="http://www.emdoor.com">Http: www.emdoor.com</a>			
Reviewed				
Approved				
DO NOT REPRODUCE	Size A	SCHEMATIC	Drawing No.	Rev. V1
FOR INTERNAL USE ONLY	Date: Monday, November 16, 2020	Sheet 25	of 36	

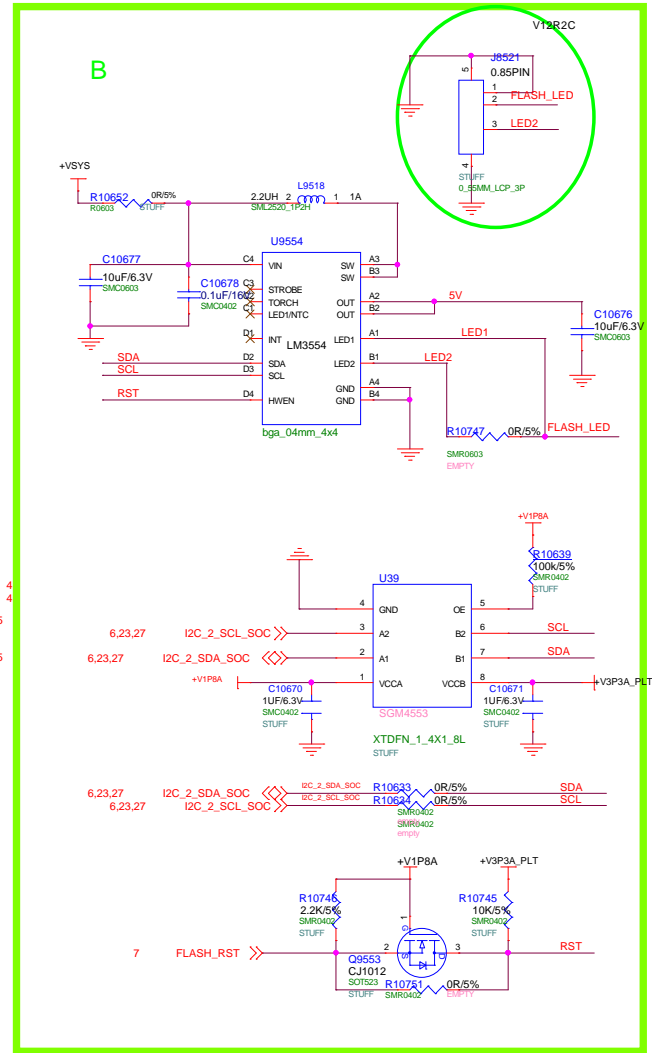
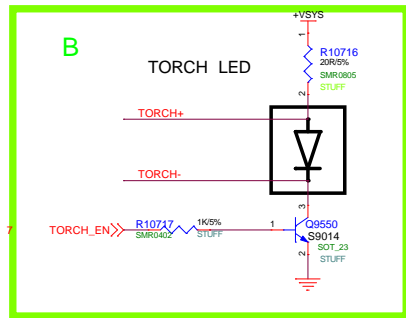
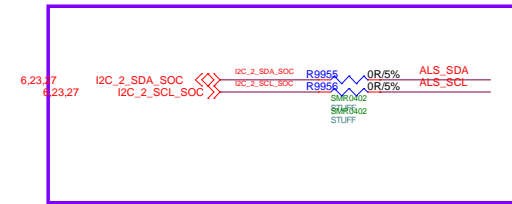
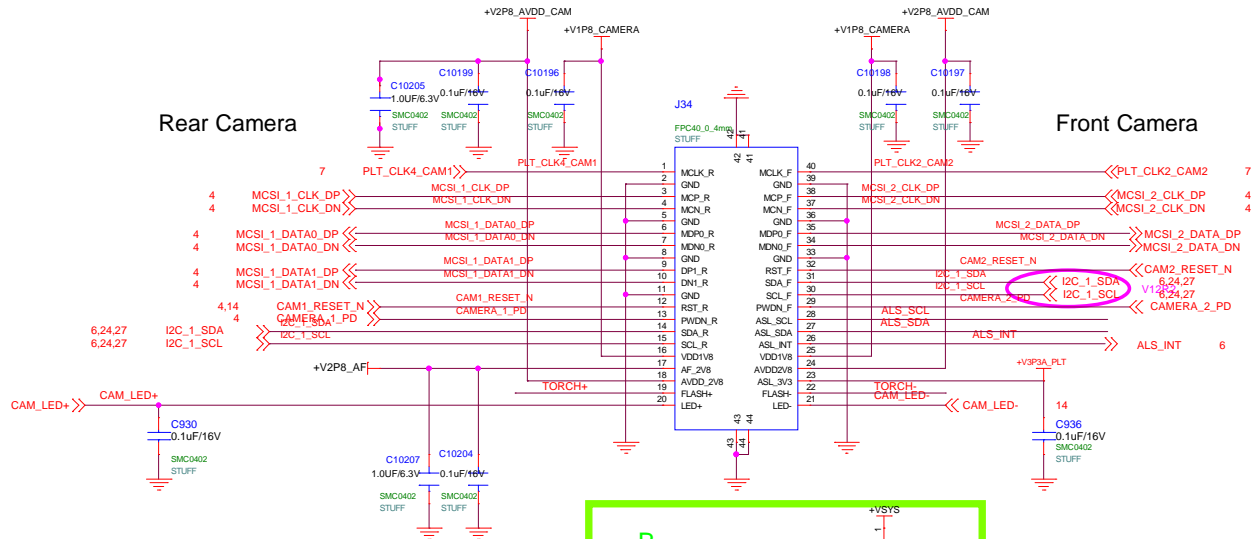
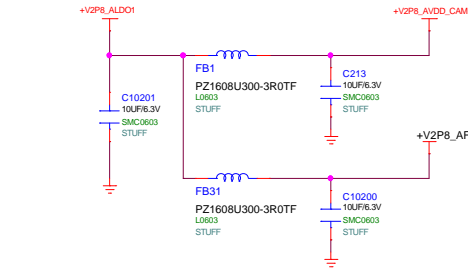
### HDMI LEVEL SHIFTERS & CONNECTOR



ECO No.			http://www.emdoor.com	
Designer				
Reviewed		Title:		
Approved		815e	SCHMATIC	Drawing No. V1
DO NOT REPRODUCE FOR INTERNAL USE ONLY		Customer	Date: Monday, November 16, 2020	Sheet 26 of 36

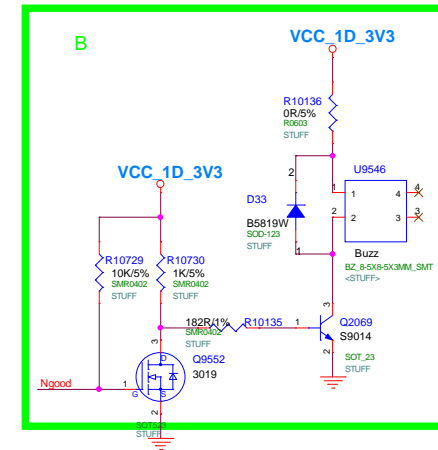
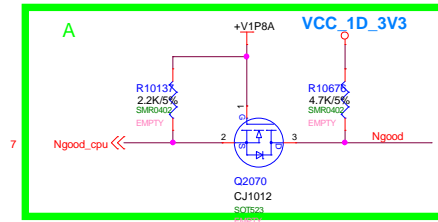
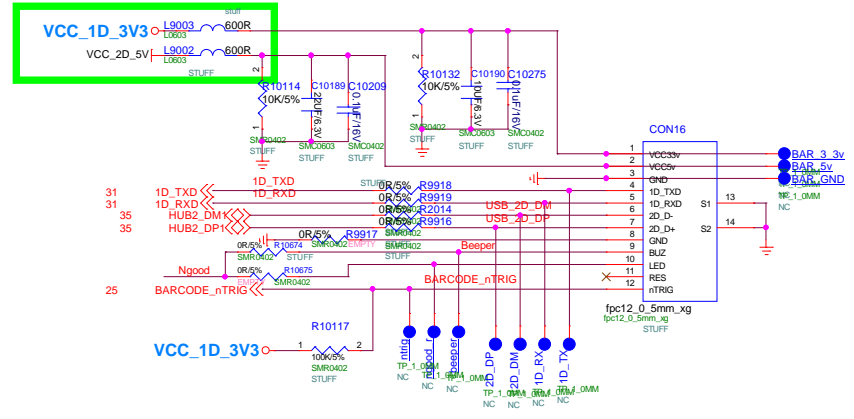
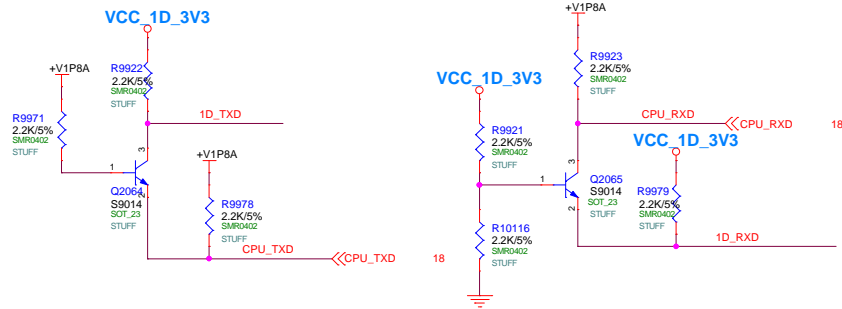
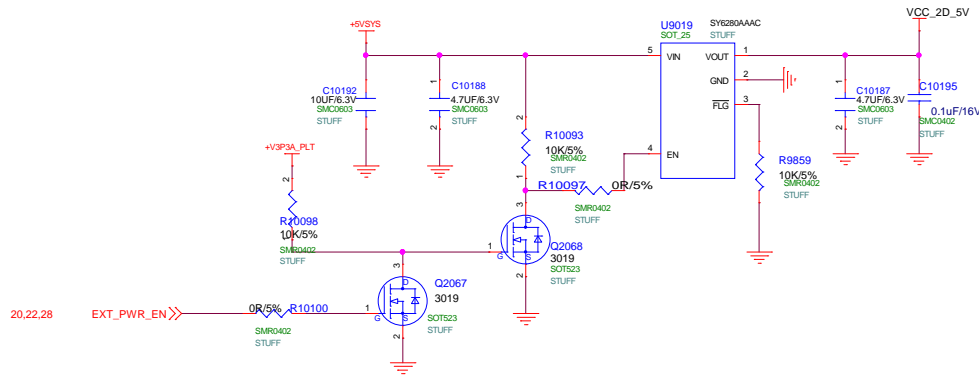
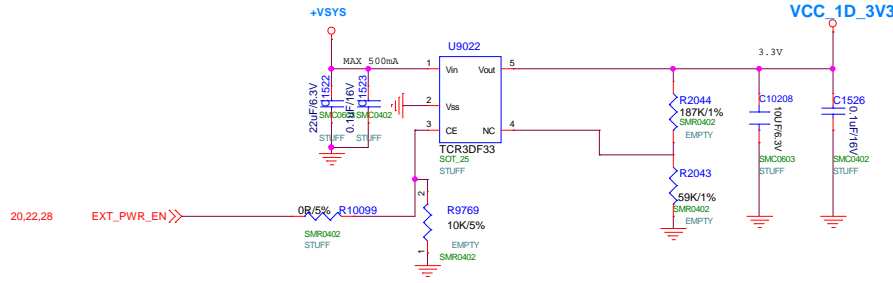


CAMERAS - FRONT & REAR



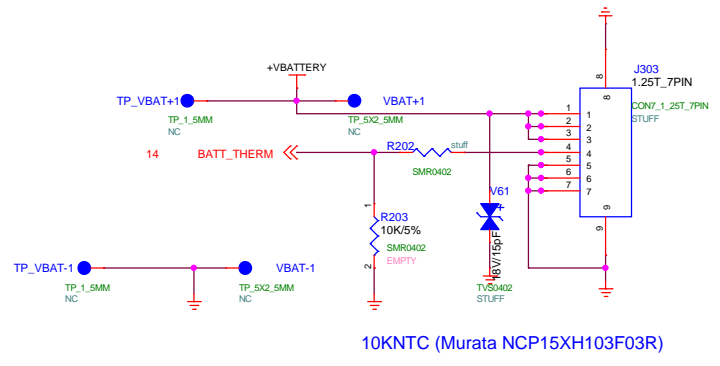
ECO No.		Findout 亿渡电子	http://www.emdoor.com
Designer			
Reviewed			
Approved		Title:	
DO NOT REPRODUCE	Size	SCHEMATIC	Drawing No.
FOR INTERNAL USE ONLY	Custom		Rev. V1
	Date: Monday, November 16, 2020	Sheet 27	of 36

# 1/2 D BARCODE

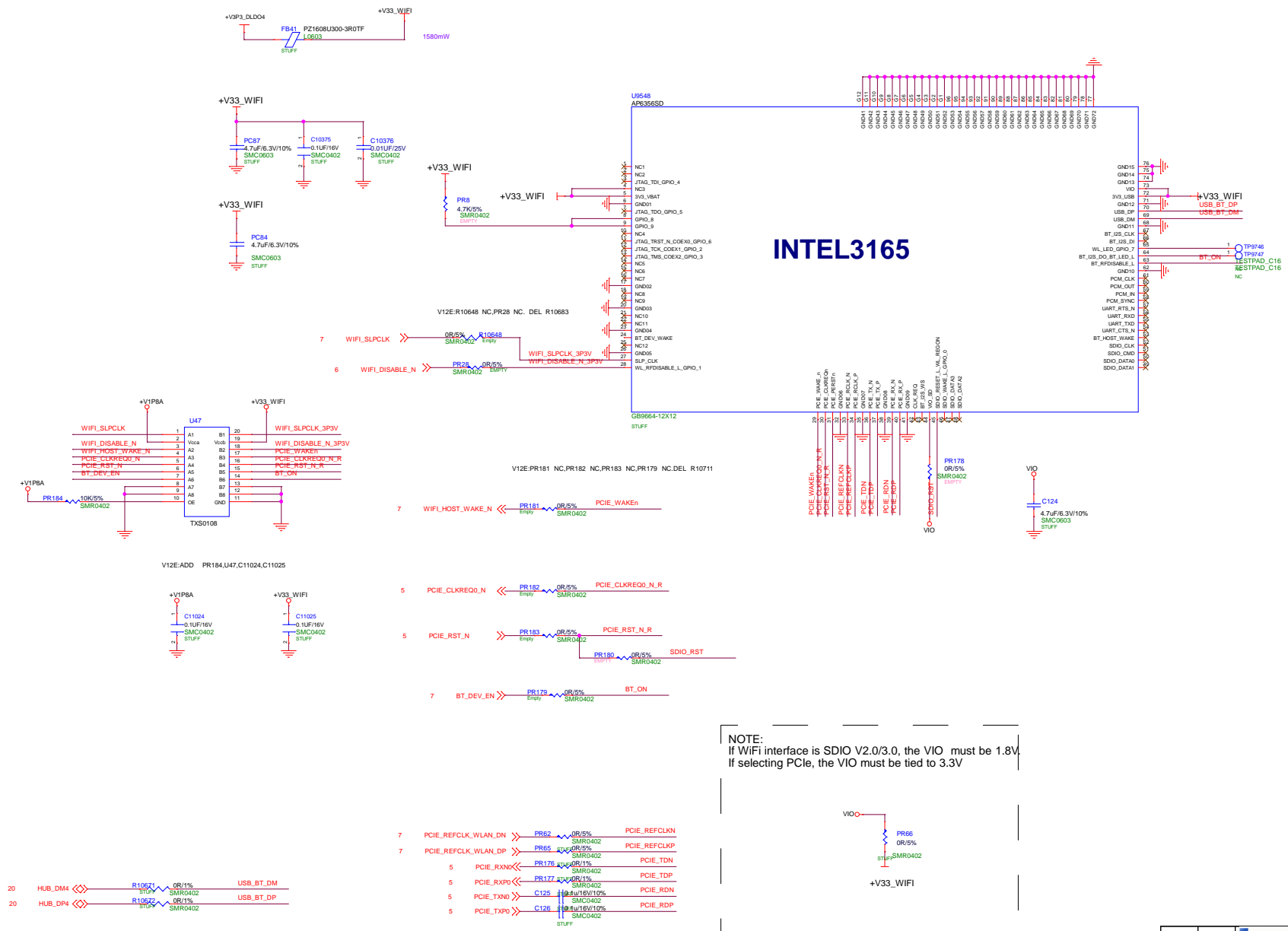


ECO No.		Endoor 拓尔电子 <a href="http://www.endoor.com">http://www.endoor.com</a>	
Designer			
Reviewed			
Approved			
DO NOT REPRODUCE FOR INTERNAL USE ONLY	Size Custom	Title: SCHEMATIC	Drawing No. Rev. V1
	Date: Monday, November 16, 2020	Sheet: 28	of 36

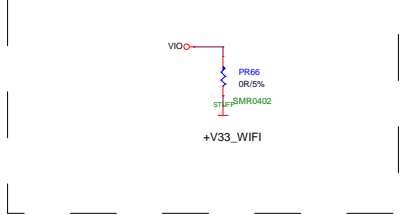
BATTERY



ECO No.		Emdoor 亿道电子 <a href="http://www.emdoor.com">Http: www.emdoor.com</a>	
Designer			
Reviewed			
Approved			
DO NOT REPRODUCE	FILE 1	Customer	SCHEMATIC
FOR INTERNAL USE ONLY	Date: Monday, November 16, 2020	Sheet: 29	of 36
Drawing No.		Rev.	V1



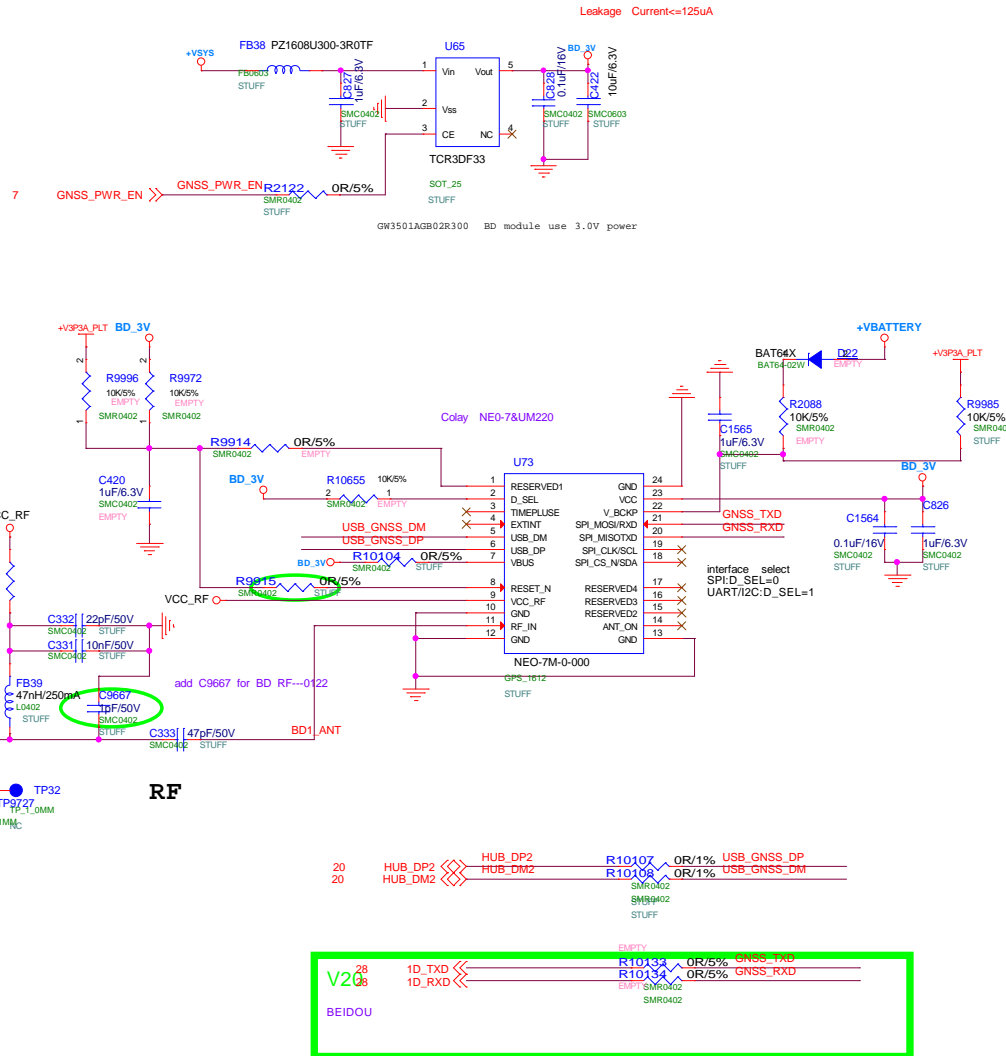
**NOTE:**  
 If Wifi interface is SDIO V2.0/3.0, the VIO must be 1.8V.  
 If selecting PCIe, the VIO must be tied to 3.3V




ECO No.		Pinway 代通电子	http://www.pinway.com
Designer			
Reviewed			
Approved			
DO NOT REPRODUCE FOR INTERNAL USE ONLY	File: SCHEMATIC	Drawing No. V1	Rev. 1
	Date: Monday, November 16, 2020	Sheet 30	of 30

GNSS

POWER



ECO No.		 化通电子 <a href="http://www.emdoor.com">http://www.emdoor.com</a>
Designer		
Reviewed		Title:
Approved		DO NOT REPRODUCE
		Size
		Customer
		Date: Monday, November 16, 2020
		Sheet 31 of 36
		Rev. V1

WIFI / BT


V12R2E:DELETE

D

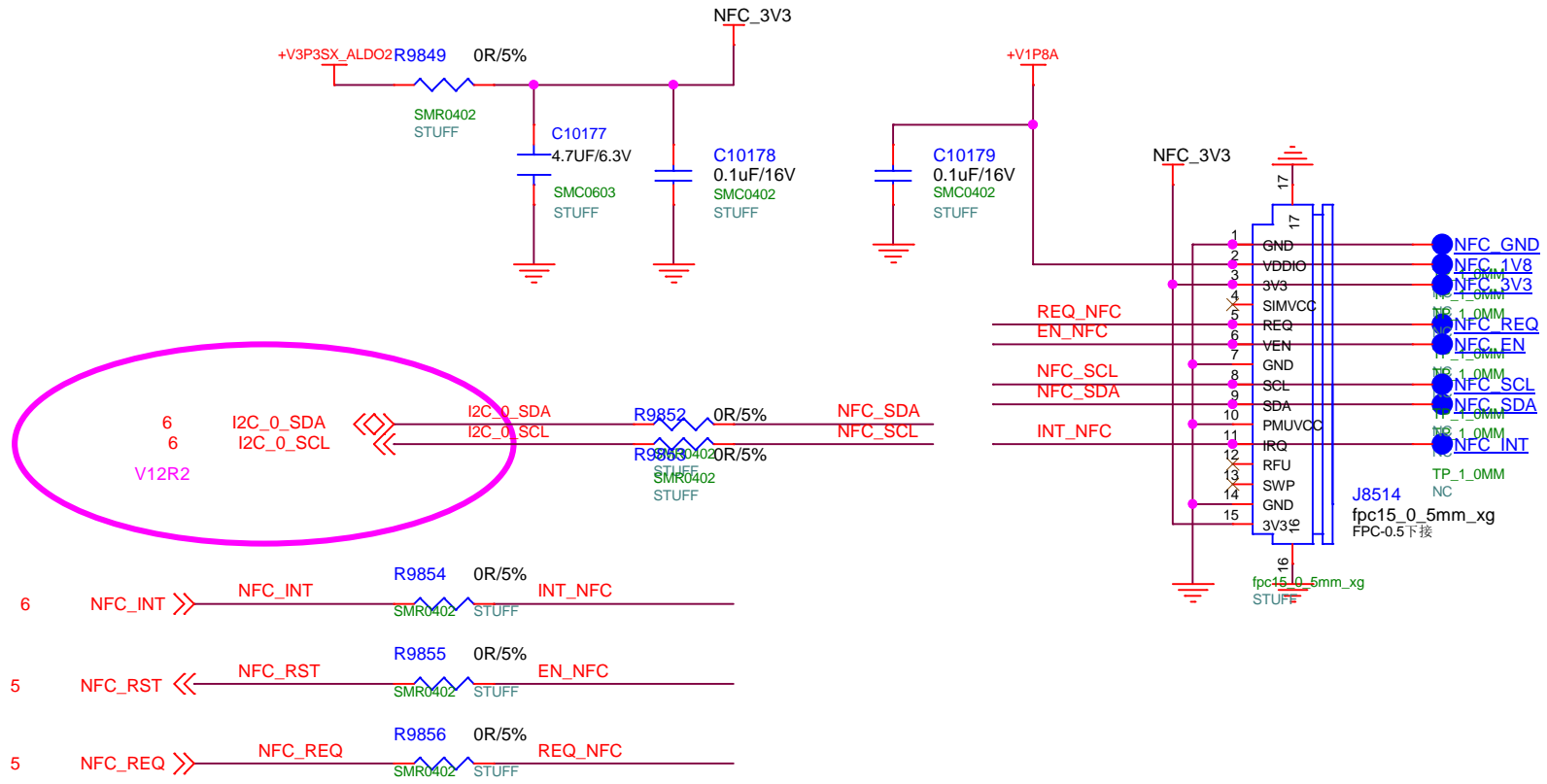
C

B


A

ECO No.		 <a href="http://www.emdoor.com">http://www.emdoor.com</a>	
Designer			
Reviewed			
Approved		Title:	
DO NOT REPRODUCE	Size	Schematic	Drawing No.
FOR INTERNAL USE ONLY	A3		Rev. V1
	Date: Monday, November 16, 2020	Sheet 32	of 36

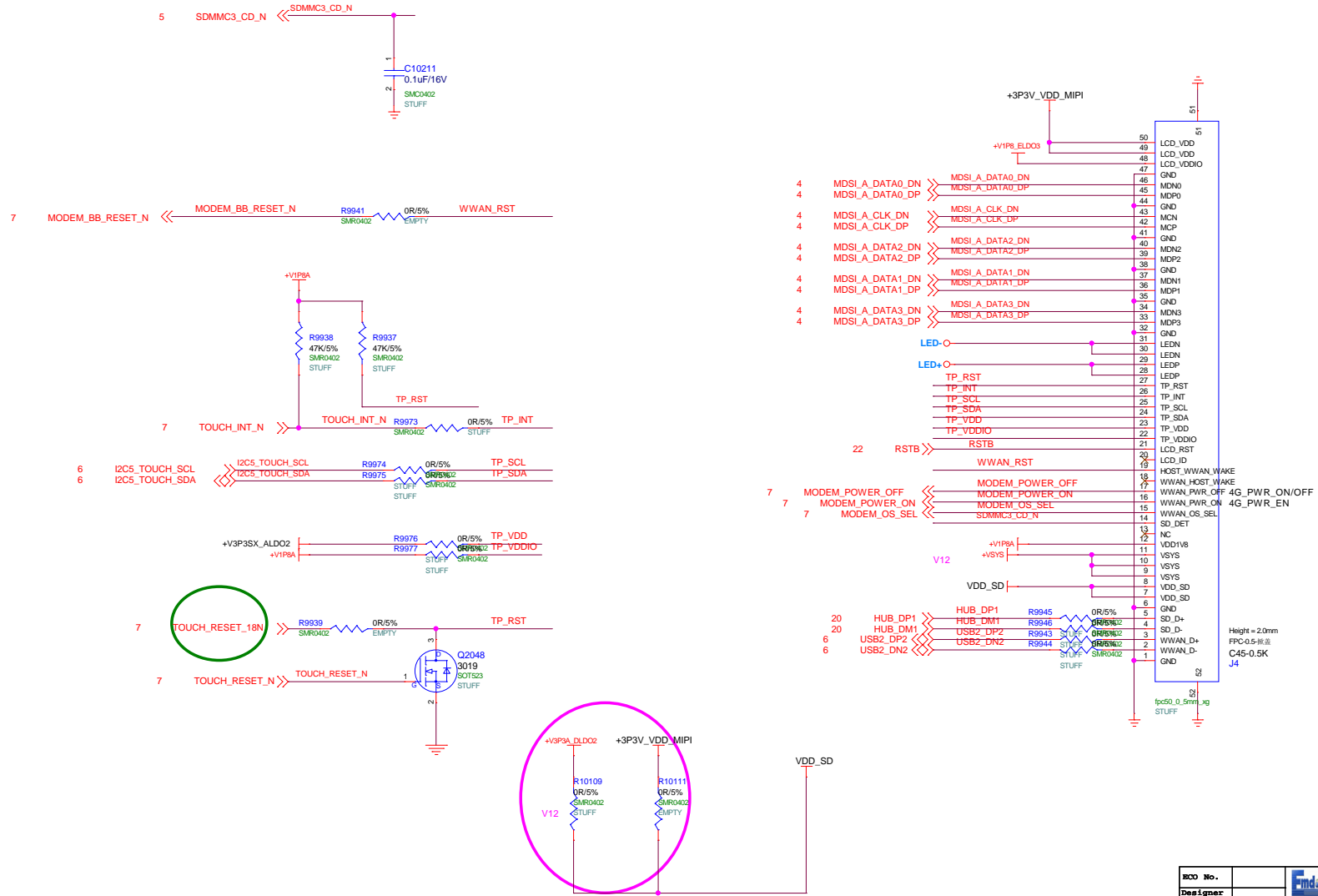
NFC



3V3	VDDIO	Ven	Power mode	Power
off	off	x	Power off	12uA
on	x	off	Power off	12uA
on	off	on	Low power	20uA
on	on	on	Full power	100mA

ECO No.	 <a href="http://www.emdoor.com">Http: www.emdoor.com</a>			
Designer				
Reviewed				
Approved	Title:			
DO NOT REPRODUCE	Size A	SCHMATIC	Drawing No.	Rev. V1
FOR INTERNAL USE ONLY	Date: Monday, November 16, 2020	Sheet 33	of	36

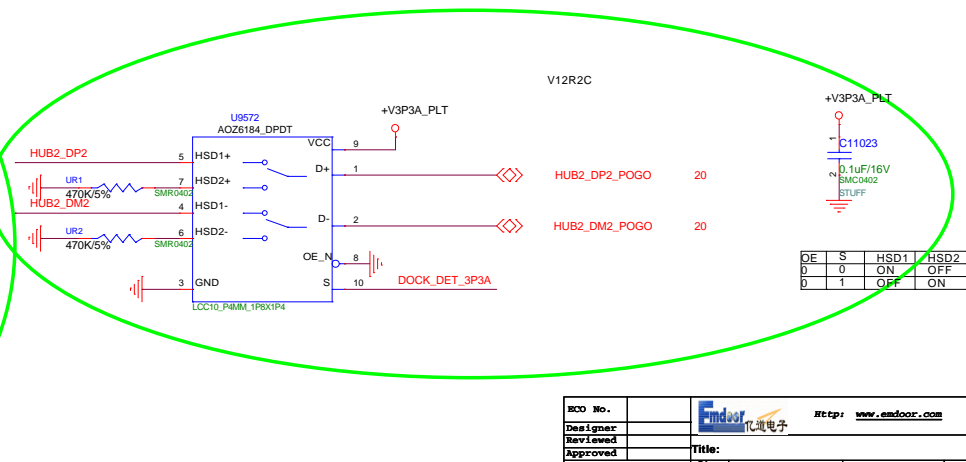
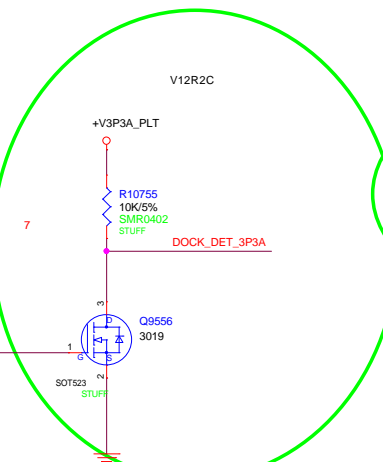
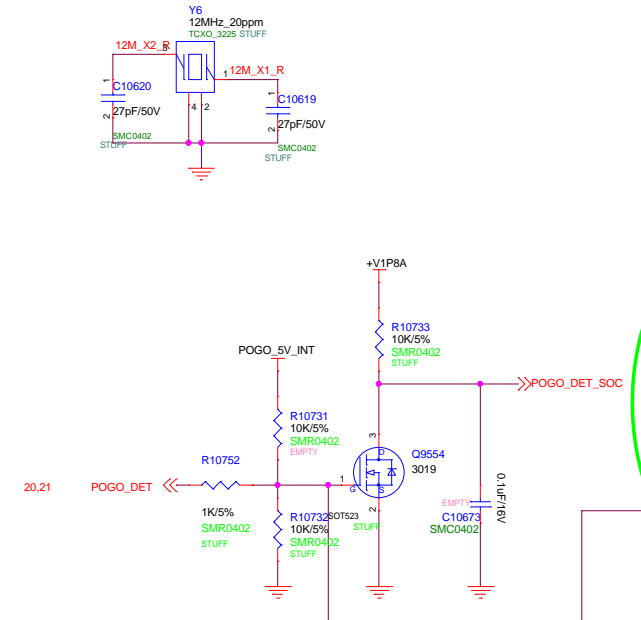
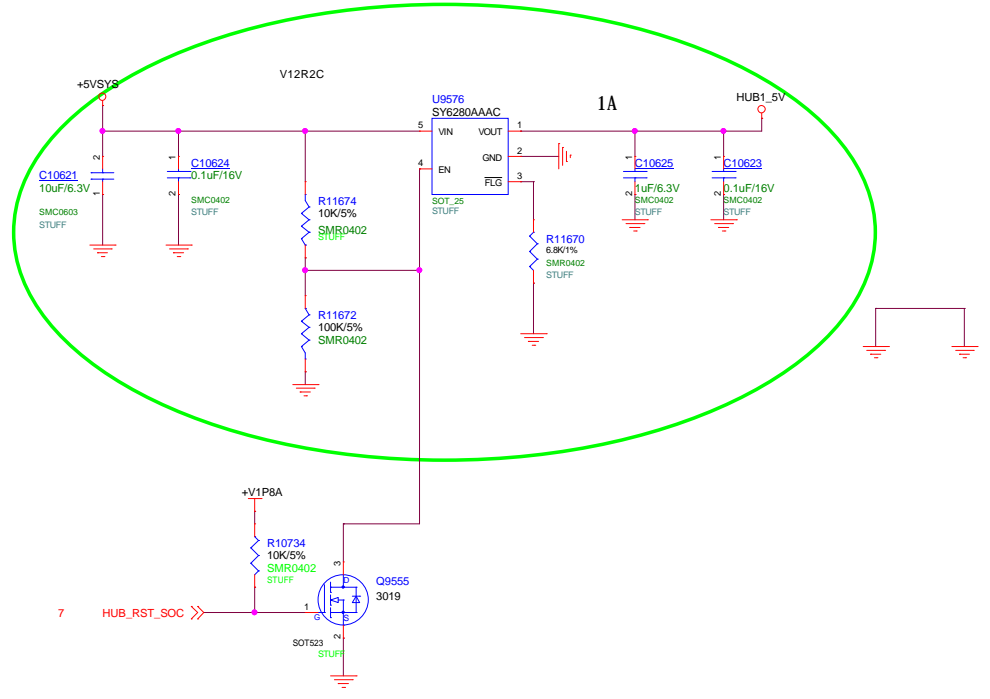
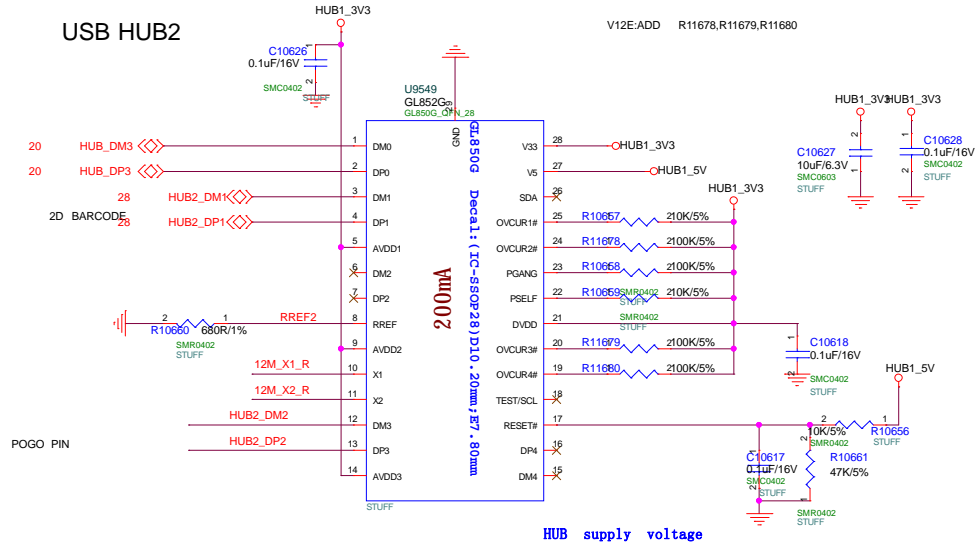
# BOARD CONN



ECO No.		Emdoor 代通电子		http://www.emdoor.com
Designer				
Reviewed				
Approved				
DO NOT REPRODUCE FOR INTERNAL USE ONLY		Size: CUSTOMER	Title: SCHEMATIC	Drawing No. V1
		Date: Monday, November 16, 2020	Sheet: 34	of 36

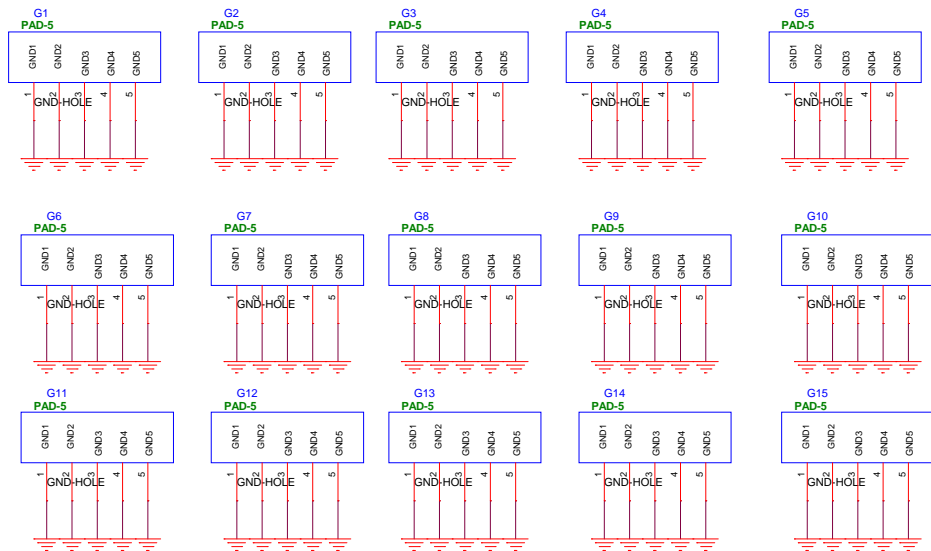
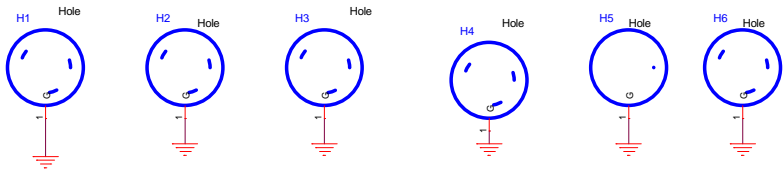



USB HUB2



DE	S	HSD1	HSD2
0	0	ON	OFF
0	1	OFF	ON

ECO No.		Emdoor 亿道电子		http://www.emdoor.com
Designer		Title:		
Reviewed		Size	SCHMATIC	Drawing No.
Approved		Customer		Rev.
DO NOT REPRODUCE FOR INTERNAL USE ONLY		Date: Monday, November 16, 2020	Sheet 35	of 36



ECO No.		 <a href="http://www.emdoor.com">http://www.emdoor.com</a>	
Designer			
Reviewed		<b>Title:</b> DO NOT REPRODUCE FOR INTERNAL USE ONLY	
Approved			
Size	Customer	Drawing No.	Rev.
Schematic		36	V1
Date: Monday, November 16, 2020		Sheet 36 of 36	