

Shenzhen Ephan Technology Co., Ltd  
 Add: 4/F B3 Bldg. No.2 Industrial Area Shui Tian, Shiyan, Baoan Shenzhen, Guangdong China  
 Tel: 86-13480780824 Fax: 86-755-23218233  
 Email: Fleming@ephan.cn

## DECLARATION OF SIMILARITY

Date: 2022-4-21

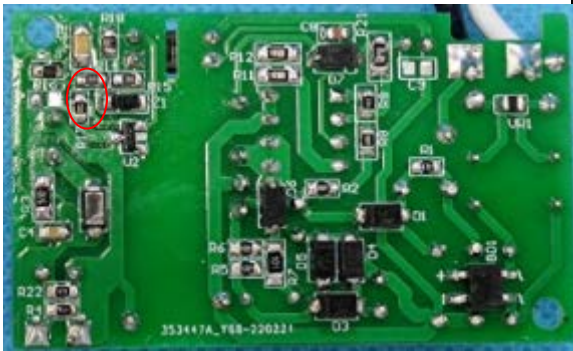

FEDERAL COMMUNICATIONS COMMISSION  
 Authorization and Evaluation Division  
 7435 Oakland Mills Road  
 Columbia, MD 21046

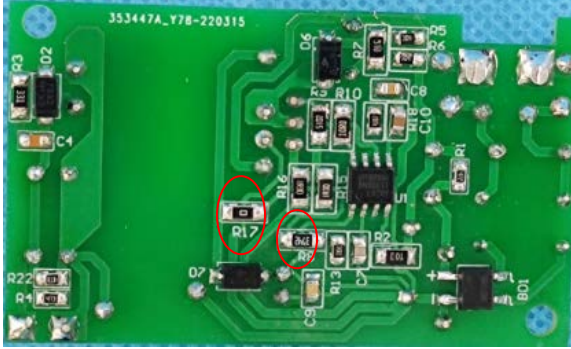

Dear Sir or Madam:

We, [Shenzhen Ephan Technology Co., Ltd](#), hereby declare that the product: [Smart Led Recessed Lights](#), FCC ID: 2A358CLWF. model: [EPCL-WIFI-RGBCW-4INCH](#) is electrically identical with the model: [EPCL-WIFI-RGBCW-6INCH](#) which was tested by China Certification ICT Co., Ltd (Dongguan) with the same electromagnetic emissions and electromagnetic compatibility characteristics.

A description of the differences [between those models](#) and that are declared similar are as follows:

[They are the same product](#), and just the different sizes, different voltage and current, and different the led quantity, the rest are the same.

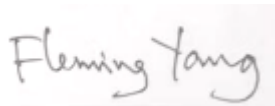
Power Drive	EPCL-WIFI-RGBCW-6INCH	EPCL-WIFI-RGBCW-4INCH
1# PCB (R14,R17)		

<p>2#PCB (R8,R13)</p>		
<p>voltage</p>	<p>Input voltage is 120Vac, output voltage is 50Vdc</p>	<p>Input voltage is 120Vac, output voltage is 40Vdc</p>

Please contact me should there be need for any additional clarification or information.

Best Regards,

Signature:



Printed Name: Fleming Yang

Title: CEO