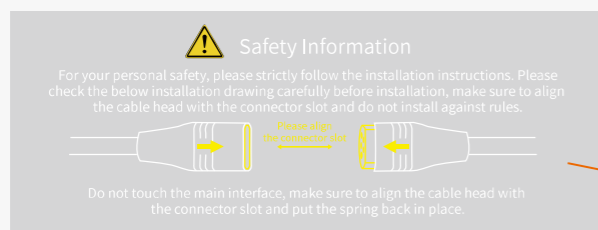


UE贴签

009 safety prompt transparent label for scooter arm 竖管透明安全警示贴

尺寸: 127*48mm
材质: 透明背胶



010 LED Protection Film LED保护膜

LED保护膜
整体尺寸: 34*106mm
工艺: 透明背胶



LED Display
Battery|Gears|Speed|Status
Switch button is located at the bottom right of the display:
Short press to start;
Long press to shut down;
After starting the machine, short press to switch the light on/off, press twice to switch between gears

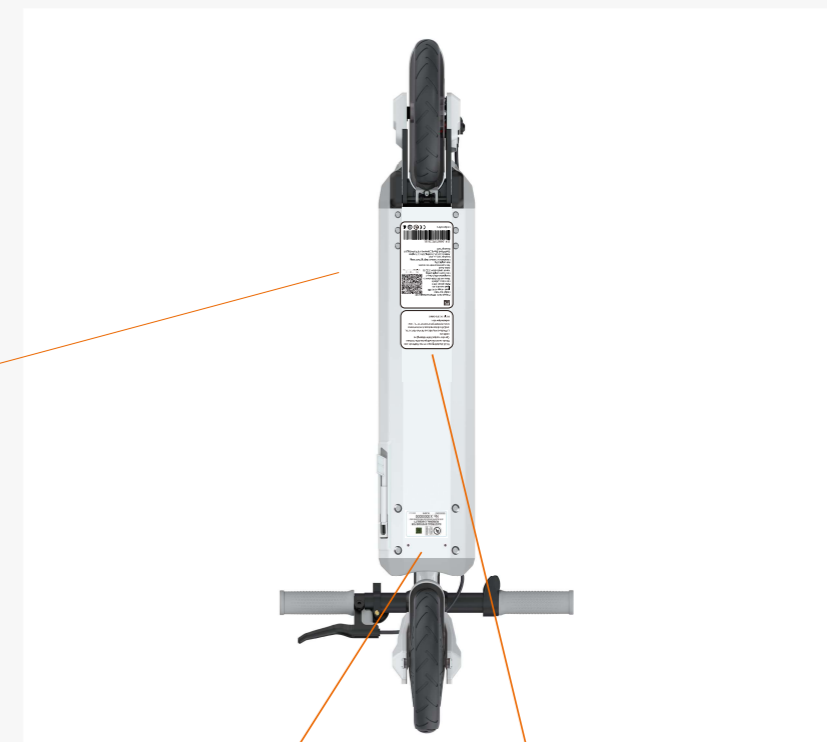


007 Label on scooter body 车体铭牌

尺寸: 55*90mm
工艺: 覆膜背胶贴纸



5TH WHEEL electric scooter M203

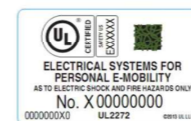


017 UL label UL标签

尺寸: 40*30mm
工艺: 背胶磁射

您好, 请见以下范围:

Finished size: 1-3/4" W x 1.075" H with 1/16" corner radius
Black ink printed on Gold Hologram
(Blue dieline does not print)
Permanent adhesive
Supplied on rolls, waste removed



022 FCC sticker FCC帖签

尺寸: 55*40mm
工艺: 背胶贴纸

FCC 15.19 Labeling requirements: (All other devices)
This device complies with part 15 of the FCC Rules.
Operation is subject to the following two conditions:
(1) This device may not cause harmful interference, and
(2) this device must accept any interference received, including interference that may cause undesired operation.
FCC ID: 2A33E5LCHM02