

Original Instructions



User's Manual of 5TH WHEEL Electric Scooter M1



Use Camera or QR Scanner to Scan
Or Visit: <https://5thwheel.life/pages/contact-us>



The illustrations and function descriptions in this user manual are for illustration purposes and reference only, and the products are subject to the real product. The mentioned technical performance indicators are based on the specific experimental environment, and the actual indicators may vary depending on the setting and environment. This product needs to be used with mobile phones or other smart devices. The realization of all functions of this product requires network support, with the network fee being subject to the supplier's service rate. This product is only used to assist safety management and cannot replace other safety measures. Do not use this product for any illegal purpose. Some services are provided and supported by third parties, which may change at any time. Invanti does not provide any guarantee for third-party services. Please read the terms of the third-party service and privacy policy carefully before use.

The text and logo of 5TH WHEEL are trademarks or registered trademarks of enterprises affiliated with Invanti. Other company, product or service names mentioned may be trademarks or registered trademarks of their respective owners.

© 2022 Invanti (Beijing) Technology Co., Ltd all rights reserved.

V1.0

The picture is for reference only.
Before using the product, please read this manual.
IMPORTANT! Read carefully and keep for future reference.

Contents

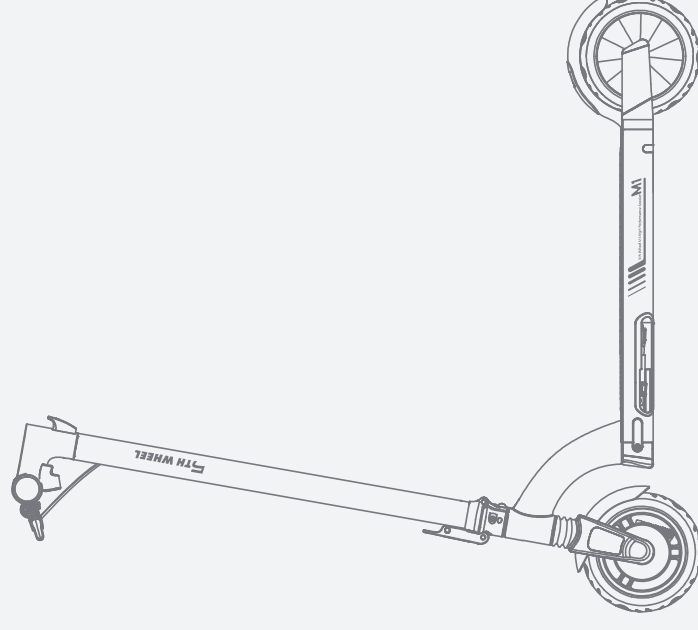
1. Safety Precautions	2
2. About the Product	9
3. Product Display	11
4. Assembly Guide	12
5. Unfolding/Folding/Carrying	13
6. Riding and Parking	16
7. Control System	17
8. Indication Descriptions	20
9. About Charging	22
10. About the Battery and Charger	22
11. App Descriptions	24
12. Care & Maintenance	26
13. Troubleshooting	27
14. Product Specifications	29
15. Authentication	30

* Please read and know the instructions described in the user manual carefully before using the electric scooter and keep it for future reference.

Please do not dispose of this product casually, it needs to be disposed of in accordance with local recycling regulations.

Welcome

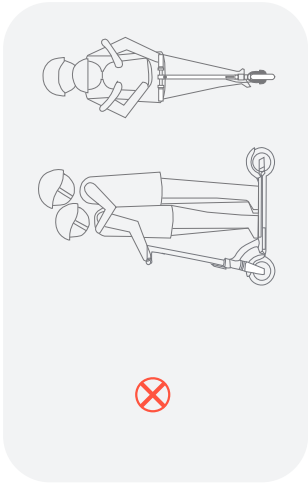
Thank you for choosing the 5TH WHEEL Electric Scooter M1 (hereinafter referred to as M1). Enjoy the pleasure brought by M1.



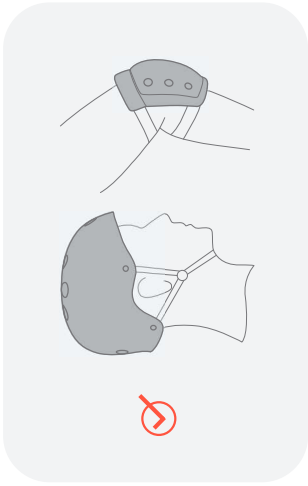
1 Safety Precautions

Please read the following instructions carefully before use.

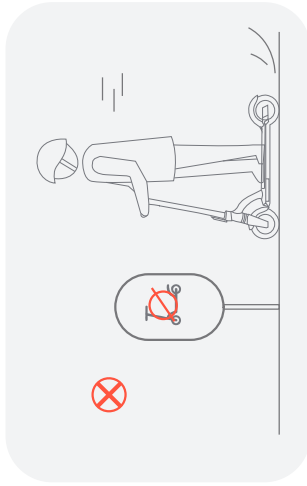
1. MI is designed for and can only be used by adults. Besides, do not ride it with anyone else, including children.



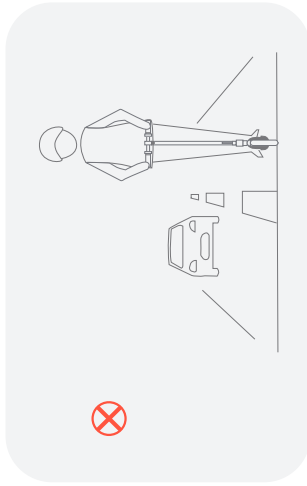
2. Please wear a safety helmet and other protective equipment when riding MI.



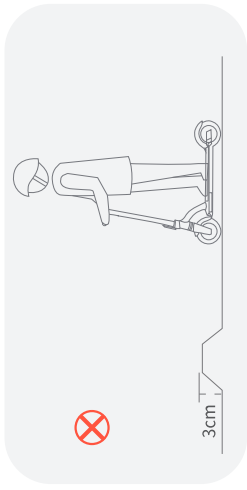
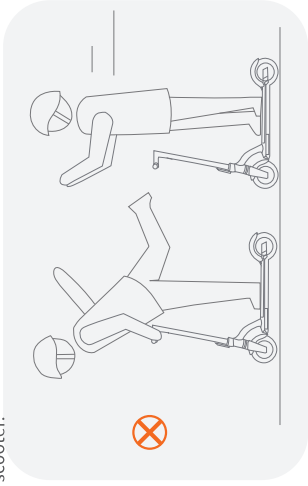
3. Please ride MI in accordance with the local laws. And do not ride it in unsafe or illegal places.



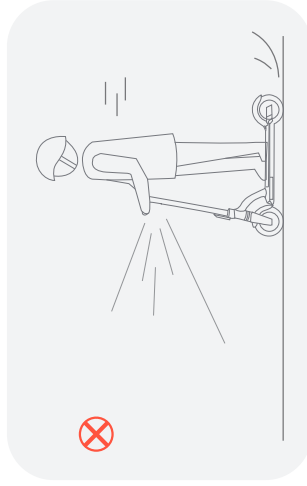
4. Please practice riding MI in the open space for the first use and avoid riding it on the traffic line. After knowing its operation completely, you can ride it on the road in accordance with the local laws.



5. Do not engage in any dangerous actions or ride MI without 6. Do not try to cross bumps higher than 3cm (0.39inch) directly, both hands gripping the handles. And keep your feet on the scooter. And avoid riding through potholes lower than 3cm (0.39inch) as far as possible.

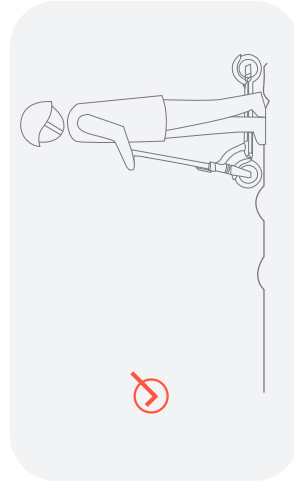


7. For your riding safety, please control the speed within 15.5mph. Please try to avoid riding at night. If you are riding at night, please turn on the lights and control the speed at 9.3mph or below.

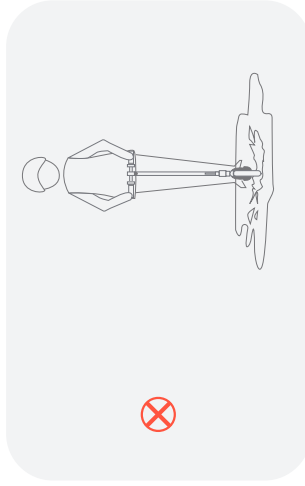


8. Do not ride it in an environment below 23°F.

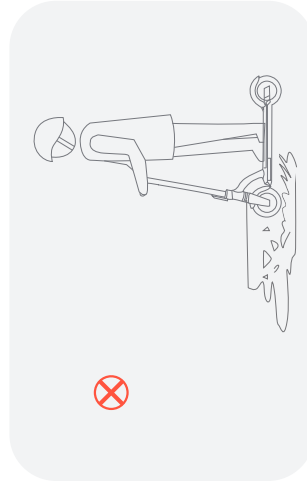
9. When riding on the uneven road surface or poor road condition, please slow down and ride carefully or get off the scooter to pass through.



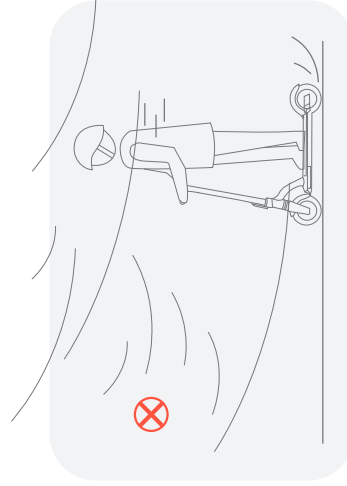
10. Do not ride it on slippery roads (such as roads covered with ice, oil, etc.).



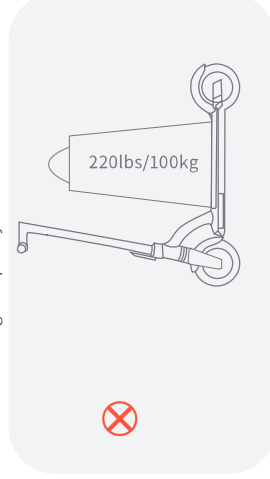
11. Do not immerse M1 in puddles deeper than 4cm (1.57 inches) to avoid damages to the electrical part due to water inflow.



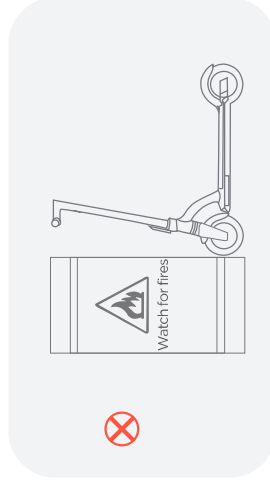
12. In rainy, snowy, windy and other bad weather, please do not ride it to avoid damages caused by unnecessary factors.



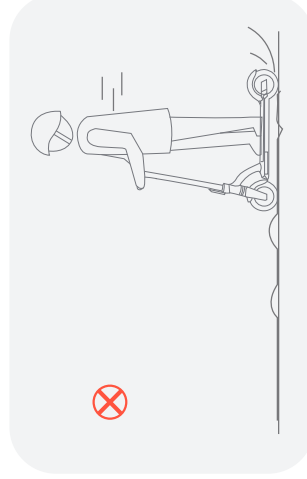
13. The user should ride it in accordance with the relevant instructions described in the user manual. Anything placed on the product should not be heavier than the max weight capacity of M1.



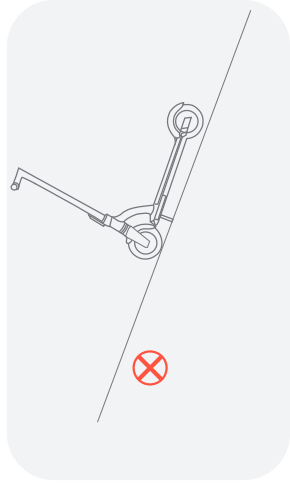
14. Please avoid riding it or placing it in an environment with too high or too low temperature. Please do not place M1 near combustibles, so as to avoid fires under accidental circumstances.



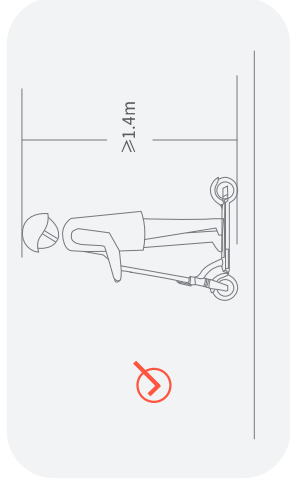
15. M1 is a special riding product. Please ride it on a flat road without potholes.



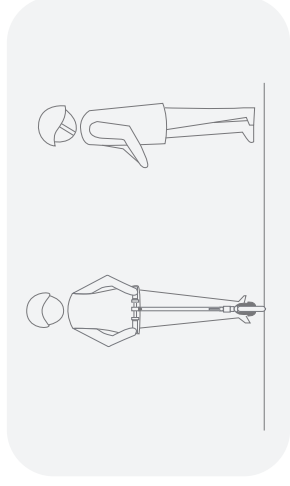
17. Engage the kickstand when the vehicle is not in use; Flip up the kickstand before use; Do not park the vehicle on the slope.



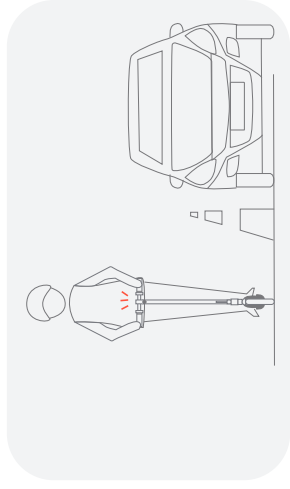
18. The minimum height of the user is 1.4m, while the maximum height is no more than 2.2m; the maximum age of the user is 70 years old, while the minimum age is no less than 13 years old.



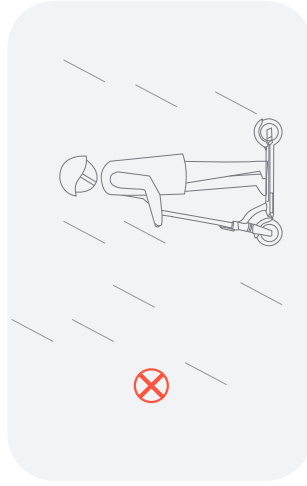
21. The user shall take the time to learn the basics of the practice to avoid any serious accident that can take place in the first month.



22. Notify your presence when approaching a pedestrian or cyclist when you are not seen or heard. Avoid high traffic areas or overcrowded areas.



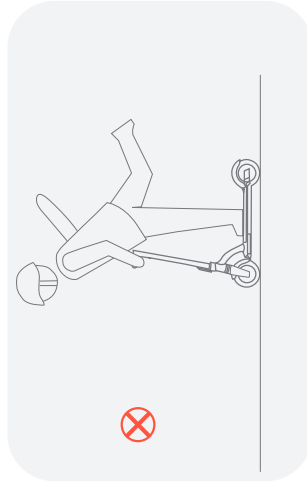
19. Braking performance and friction between the tire and road deteriorates in wet conditions, so it is harder to control the speed and easier to lose control. Slow down and brake early when it is raining.



23. Cross the protected passages while walking. In all cases, take care of yourself and others.

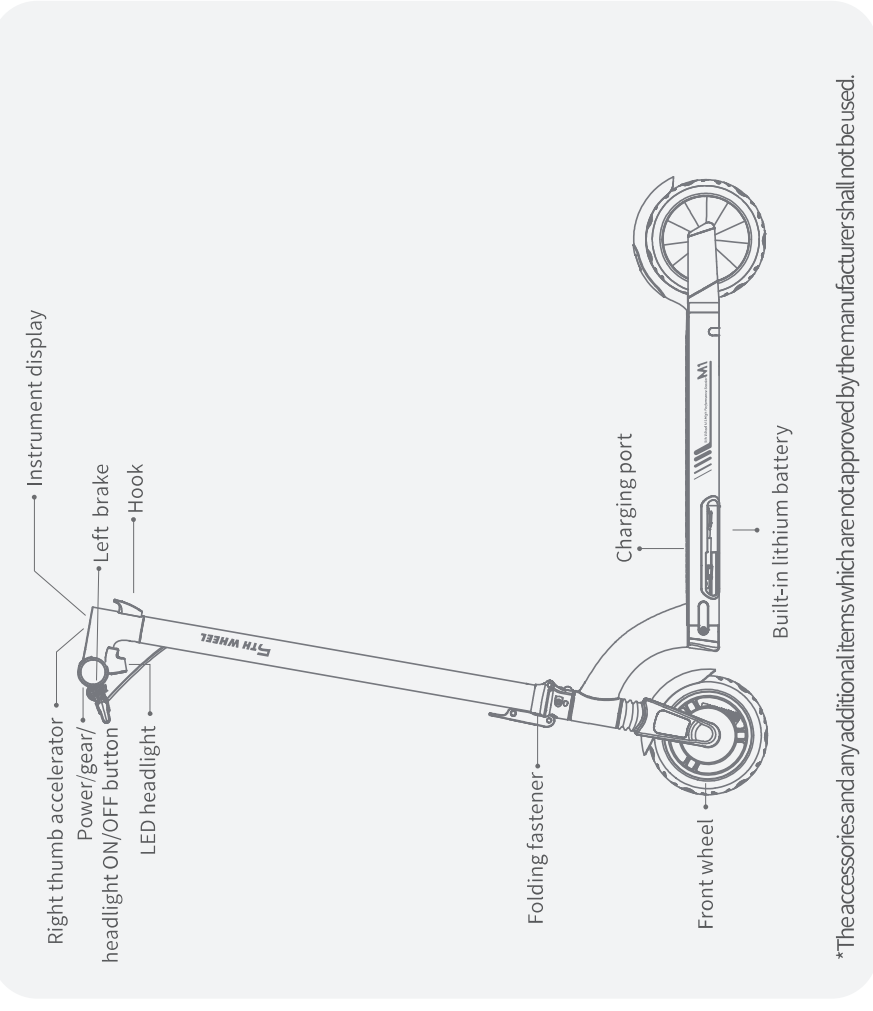


24. Do not divert the use of the vehicle. This vehicle is not intended for acrobatic use.



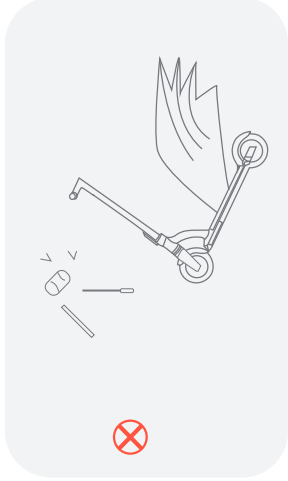
2 About the Product

1. Product Overview

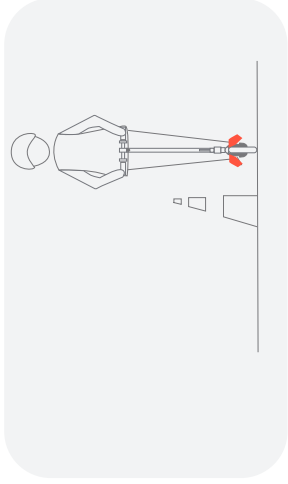


*The accessories and any additional items which are not approved by the manufacturer shall not be used.

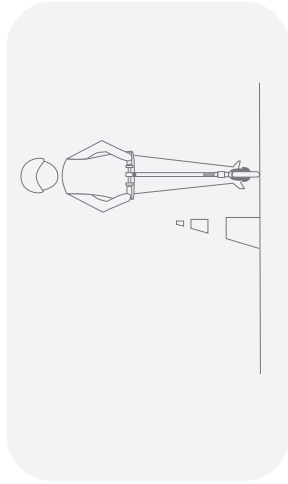
25. Eliminate any sharp edges caused by use. Do not modify or transform the vehicle, including the steering tube and sleeve, stem, folding mechanism and rear brake.



26. The user has the obligation to always wear shoes when riding.



27. In any case, anticipate your trajectory and your speed while respecting the code of the road, the code of the sidewalk and the most vulnerable. If any, local special laws and regulations should be observed during riding of this product.



3 Product Display



Upright State



Folded State

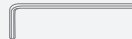
Accessories



Manual



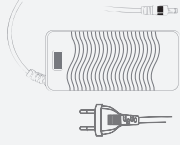
Screw *3



Screwdriver



Tool kit



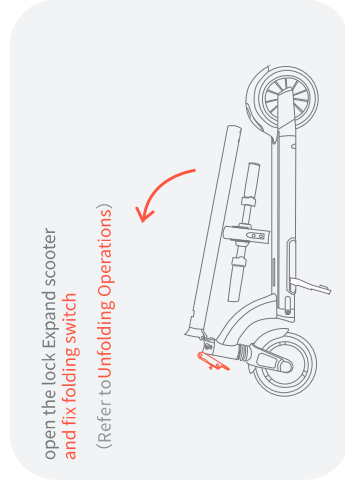
Power adapter

Please carefully check whether the items in the packing box are complete and intact.

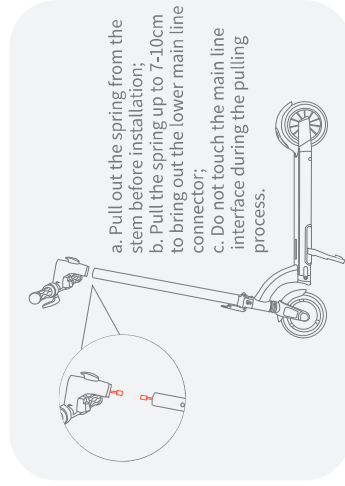
Product Contents	Quantity
User Manual	1
Screw	3
Screwdriver	1
Tool Kit	1
Power Adapter	1

4 Assembly Guide

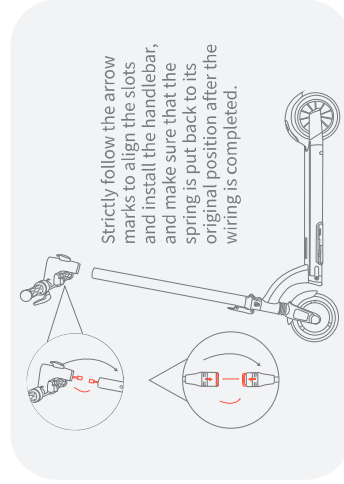
1. Unfold the scooter and put the kickstand down.



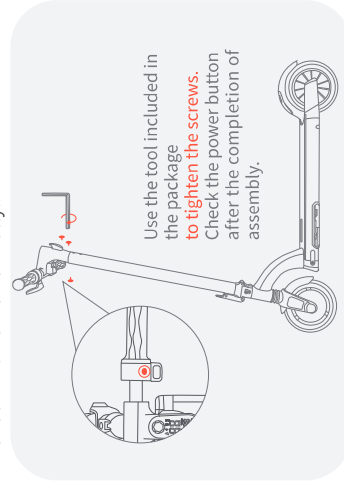
2. Pull the spring to bring out the lower main line connector.



3. Connect the main line and attach the handlebar to the stem.

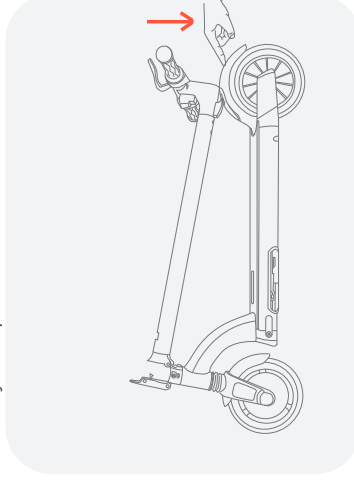


4. Tighten the screws with the tools included in the package and press the power button to check if it works normally.

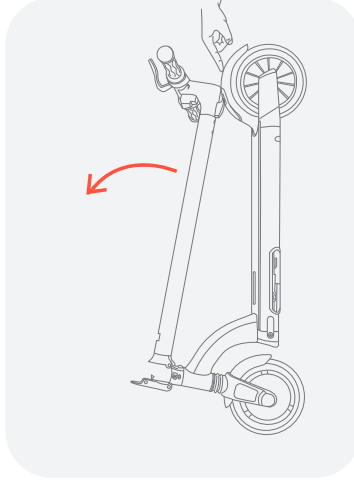


5 Unfolding/Folding/Carrying

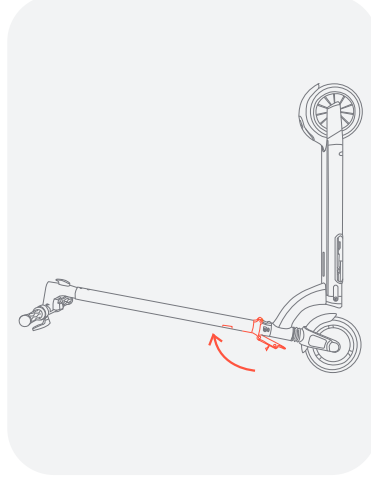
1. Press the rear fender with one hand and pull the body rod upward with the other.



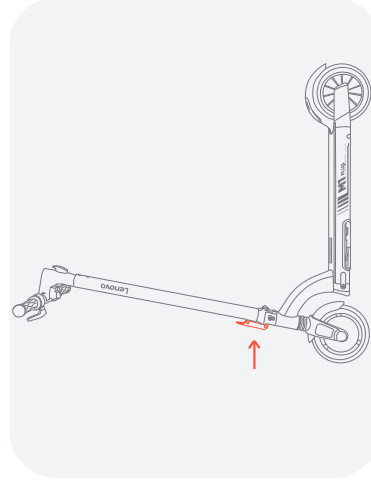
2. Pull up the body lever.



3. Righten the body rod and pull up the folding buckle.



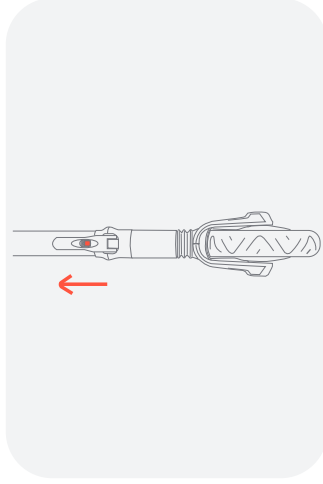
4. Fasten the folding buckle.



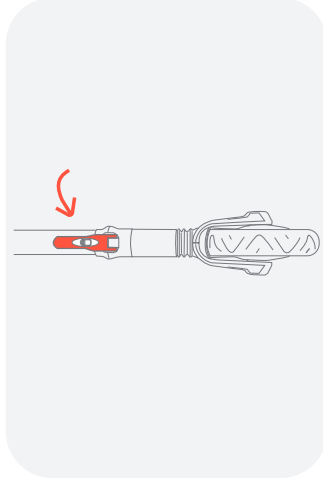
2. Folding Operations

Note: For your safety, it is recommended to perform the folding operation after the scooter is powered off.

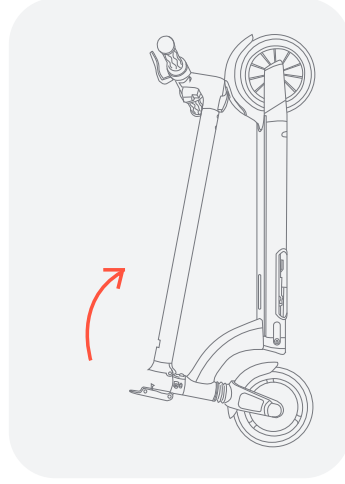
1. Pull the lock up.



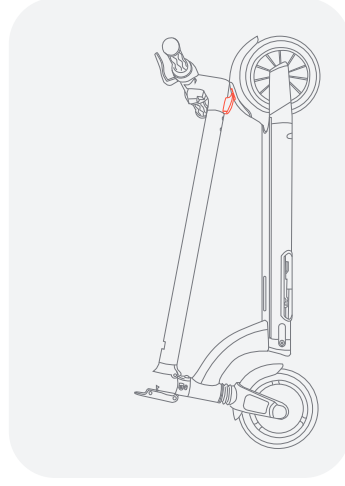
2. Pull the folding buckle outward.



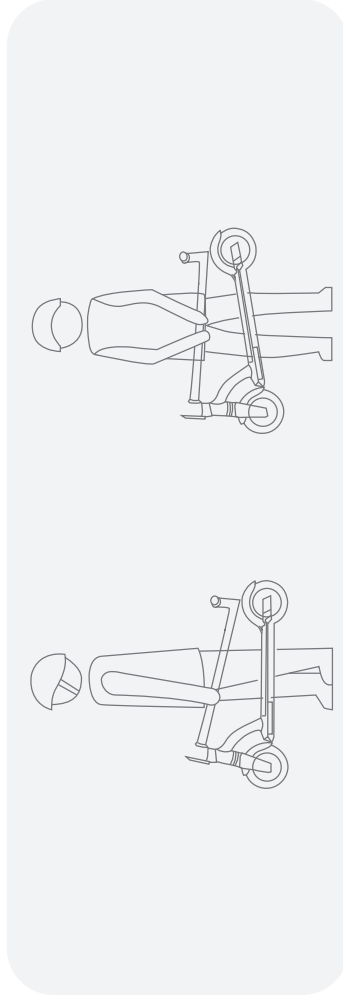
3. Put the reverse head.



4. Adjust the body lever hook to enter the rear fender clamping slot.



3. About Carrying

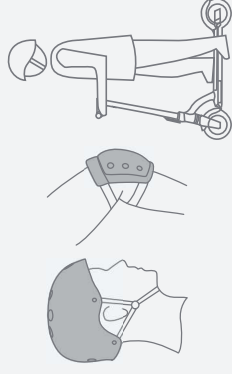


Note: After folding it, carry the scooter with one or both hands.
Minimum load: 30kg

6 Riding and Parking

Preparations before Riding the Scooter

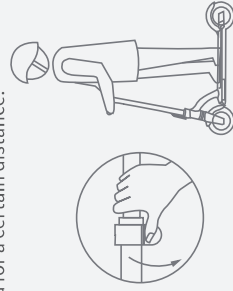
1. Choose a suitable place for riding the scooter.
2. Unfold the scooter by following the instructions described in the user manual and wearing protective equipment.



Starting Riding the Scooter

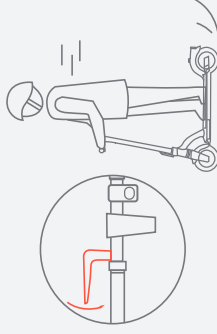
1. Press the Power switch to turn on the scooter.
2. Stand on the pedal with one foot on the ground.
3. Slide the scooter forward and press the throttle gently downward. And the scooter will move forward slowly. When riding it smoothly, stand on the pedal with both feet. The greater you press the throttle downward, the faster the speed.

Note: For safety, M1 is designed with a non-zero start. The throttle will take effect only after the scooter slides forward for a certain distance.



Parking

1. Under normal circumstances, if the left thumb brake is pressed down, the car immediately cuts off power and brakes. The greater the pressing angle, the greater the braking force.
2. In case of emergency, electronic braking and friction braking can be realized at the same time by stepping on the rear brake.



7 Control System

(A) Power Switch

(B) Gear Indicator

(C) Throttle

(D) Brake Control

(E) LED Display

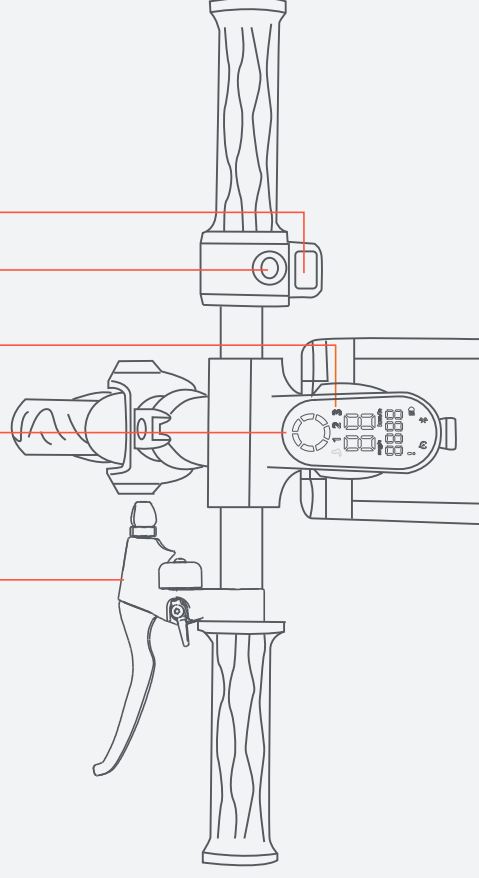
(A)

(B)

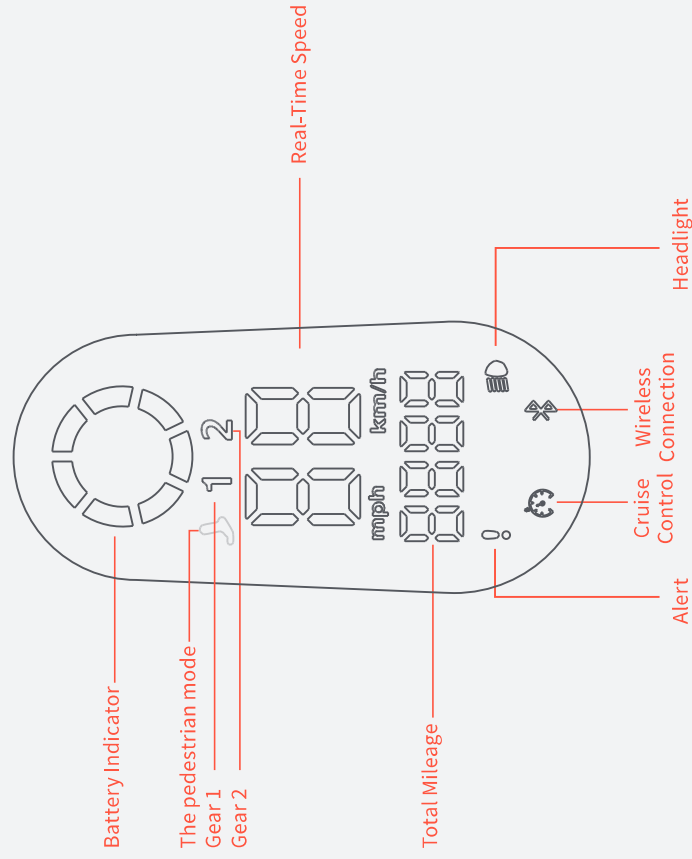
(E)

(D)

(C)



LED Display



Power Switch

Long press the Power switch to turn on/off the scooter; Click the power button to switch the LED light; double click to switch the gear; triple click to switch the speed unit; four clicks to display the accumulated mileage for 5s.

Gear Setting

Press the power button twice quickly to switch the gear. The gear can be set to The pedestrian mode ≤ 5 mph, Level 1 (9mph), Level 2 (15mph).

Speed control

When riding the scooter at a speed faster than 4km/h (2.48 mph), the throttle will get started and take effect. By pressing the throttle, the user can control the riding speed. (Speed Range: 4-25km/h / 2.48-15mph)

Brake control

Hold the left brake lever to brake. The greater the holding force, the greater the braking force. The indicator will blink under the condition of braking.

LED Headlight Switch

After switching on the scooter, click the LED headlight switch to turn it on.

Emergency Braking

In case of emergency, step on the rear brake with your feet, which can realize rear wheel friction braking and electronic braking at the same time; Under normal circumstances, please do not use the rear emergency brake vigorously in high-speed driving, so as not to cause riding risk and damage the rear wheels. The company is not responsible for this damage, and needs to pay for repair.

Cruise control

The scooter is not initially configured with the cruise control speed. If necessary, open the app and select the cruise control speed. When the scooter is running at the constant cruise control speed, the cruise control will be enabled. After the cruise control is enabled, you can release the thumb accelerator, and the scooter will automatically run forwards at a constant speed. If you need to cancel the constant speed cruising, press the left thumb electronic brake to cancel the cruising state. When the speed reaches the set cruising speed again, you can restart the constant speed cruising.

You can set the status of no cruise in the APP to disable the cruise control function.

Noise emission

The A-weighted emission sound pressure level of the vehicle in operation is less than 70 dB(A).

8 Indication Description

Automatic cruise indication:

Start	Shut down
When automatic cruise is turned on, the indicator will be on for a long time.	When automatic cruise is turned off, turn off the indicator.

Headlamp status indication:

Start	Shut down
When the headlight setting is turned on, the indicator will be on for a long time.	Turn off the indicator when the headlight setting is turned off.

Third gear indication:

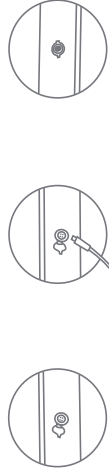
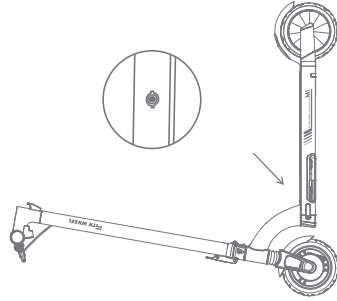
First gear	Second gear	Third gear
The first gear is open	The second gear is open	The third gear is open

Error Indication

If there is anything abnormal about the scooter, the warning indicator will flash, with the flashing value E1-E6 displayed.

Errors	Code	Solutions
Communication Fault	E1	Please check whether the taillight is on. If it is off, it means that the power supply is insufficient. Please replace the controller or the LED display. If it is on, please check whether the connecting wire between the controller and the LED display is open-circuit.
Brake failure	E2	Press and release the brake to reset the brake. If not, please check whether the connecting wire between the brake and the LED display is short-circuited or open-circuit. If it is open-circuit or short-circuited, please replace the connecting wire. Replace the brake handle.
Throttle Failure	E3	Press and release the throttle to reset the throttle. If not, please check whether the connecting wire between the throttle and the LED display is short-circuited or open-circuit. If it is open-circuit or short-circuited, replace the connecting wire. Replace the throttle.
Motor Fault	E4	Check whether the motor and controller wire is connected correctly. If it is not connected correctly, please adjust and connect the motor and the controller correctly. If it is connected correctly, please disconnect the connecting wire and measure whether the internal resistance between the three-phase wires of the motor is within a reasonable range, generally within 0.1Ω-1Ω. If it exceeds the range, the motor needs to be replaced.
Controller failure	E5	If the controller is damaged, please replace the controller. If the motor temperature is too high, please wait for the motor to cool to the appropriate working temperature.
Overheated Motor	E6	Check whether the motor temperature is too high. If the motor temperature is normal, check whether the connecting wire of the controller is short-circuited. If it is short-circuited, please replace the connecting wire.

9 About Charging



- ① Open the rubber plug.
- ② Plug in the charger.
- ③ Insert the rubber plug and fix it after charging.

Step 1. Open the rubber plug and insert the charger into the charging port on the scooter.

Step 2. Insert another end of the charger into the power outlet.

Step 3. When charging, the red indicator on the charger will light up. When the indicator turns green, it means that the scooter is now fully charged.

10 About the Battery and Charger

M1 electric scooter is equipped with a special lithium battery and a special smart charger. The scooter and its accessories have a special number. Do not use chargers of other brands, nor should other types of products be charged with the charger of our company. The company will not be responsible for the accessories damaged by misuse.

Battery

The lithium battery provided by the company can be recharged for at least 800 times, and more than 1,000 times under normal circumstances. Please charge full battery for the first time before using it. The battery can be charged at anytime, and there is no any damage to charge it frequently. Meanwhile, please don't forget to charge it per 3 months if you don't use it for along term.

Charger

The dedicated charger provided by the company has a function of charging protection. When the battery is 100% charged, the charger will be powered off automatically. The charging time is about 4-5 hours. Damage to the battery arising from water, collision and other abnormal factors is excluded from the warranty policy.

Charging instructions

1. Open the rubber and insert the plug into the hole;
2. Insert another plug of the charger into the electric outlet;
3. When the indicator lamp is red, it shows the battery being charged; When the lamp turns green, the battery is finished charging.
4. Please shut down and keep away from water before charging.
5. Only use the specified charger for charging.
6. **Warning: Please be careful not to get electric shock.**

Kinetic energy recovery

Press the brake in the running process to enable the kinetic energy recovery system and convert part of kinetic energy into electrical energy to be stored and used. The kinetic energy recovery system can enhance the experience of emergency braking. At the same time, the recovered kinetic energy can help increase the endurance. Changes in the power are displayed simultaneously.

11 Instructions for APP

5TH WHEEL App Manual Operation

No manual operation is required in case of registering an account of 5TH WHEEL and completing the minimalist connection. The device card will be displayed on the homepage of the 5TH WHEEL App.

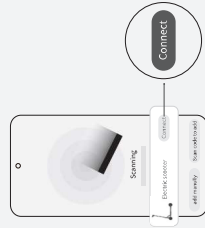
1. Please scan the QR code with your mobile phone, or search for "5thWheel" in the App market to download and install the App.
2. Open the 5thWheel App, and please register/log in to the 5thWheel account according to the App guidelines for the first use. And then, enter the App homepage, click "+" in the upper right corner, and "Add Device". After that, move your mobile phone close to the device, and the App will automatically scan the device.



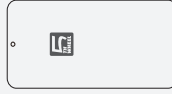
5thWheel App

3. In the event that you have installed 5thWheel App, please make sure that it is the latest version.

3. After scanning the device successfully, please click "Connect" to successfully add the device as prompted by the interface.



4. After adding the device successfully, the device will be displayed on the homepage of 5thWheelApp. And then, click the device card to enter the control interface to control the device.

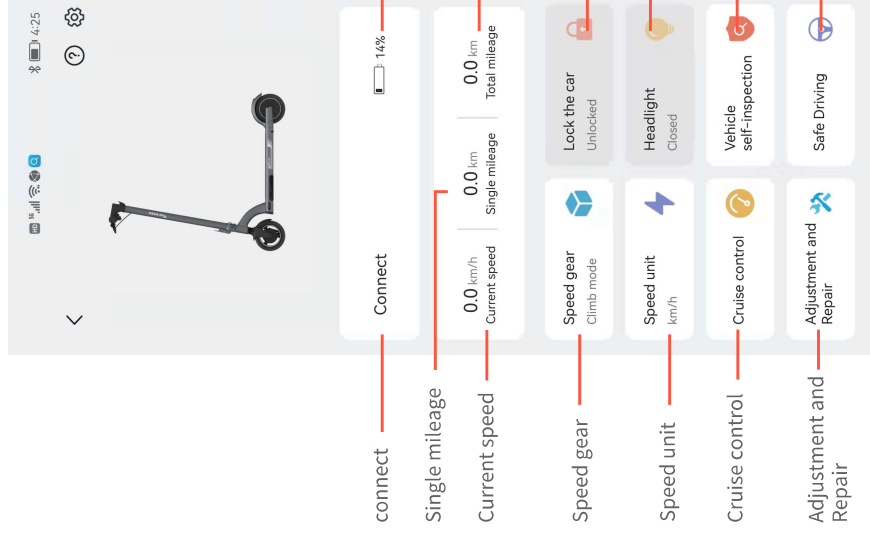


5. Please keep your mobile phone Bluetooth and device in the state of "On", and try again in case of failure to scan the device.

4. If you encounter any problems when using the product, please feel free to contact us through the following methods or scan the QR code to get a quick response and a satisfactory solution.



6. Use Camera or QR Scanner to Scan
Or Visit: <https://5thwheel.life/pages/contact-us>



Special note: about the locking function.
It can only ensure that the vehicle cannot run normally due to the light weight of the whole vehicle and the whole vehicle is composed of mechanical parts
It can be removed with corresponding tools
To ensure that the vehicle is not stolen,
Please park your vehicle in sight
Enclosed or added machinery and Fixtures

*The actual content shall be subject to the app display interface

12 Care & Maintenance

Lubrication

For maintenance, add a small amount of white grease or lubricant to the folded part once every six months. Check the scooter once every three months for screw loosening. Tighten the loose screw.

Battery

When you get the electric scooter for the first time, please fully charge the battery before using the scooter. The battery can be charged at any time to ensure the power supply. It will not be damaged during charging. When not in use, the battery needs to be charged once every three months.

*Laboratory data

Storage and daily maintenance

Avoid leaving scooter under direct sunlight or in severely humid places for a long time. Keep the scooter clean.

Regularly check the tightening of the various bolted elements, in particular the wheel axles, the folding system, the steering system and the brake shaft.

Cleaning Recommendations

If you see stains on the scooter's body, wipe them off with a damp cloth. If the stains won't scrub off, put on some toothpaste, and brush them with a toothbrush, then wipe them off with a damp cloth. Do not clean the scooter with alcohol, gasoline, kerosene or other corrosive and volatile chemical solvents to prevent dire damage. Do not wash the scooter with a high-pressure water spray. During cleaning, make sure that the scooter's turned off, the charging cable is unplugged, and the rubber flap is closed as water leakage may result in electric shock or other major problems.

Routine Inspection

1. Before riding, please confirm the folding mechanism is locked;
2. Please check whether the tires are badly worn. Please contact the local authorized dealer if they needs to be replaced;
3. Please check whether the wear condition of the brake pad affects the use of the brake system. If so, please contact the local authorized dealer to deal with the problem;
4. The screws used in this product are self-tightened screws. Please note that the effect may be gone after several times of tightening.

13 Troubleshooting

If there is any problem with the scooter, please try to solve it in the following ways.

1. The display screen is black.

Cause: The exposure time in the sun is too long.

Solution: Please place the scooter in a dark environment for a period of time and it will return to normal.

2. The value is inconsistent with the actual value.

Cause: The parameter setting is incorrect or missing.

Solution: Long press the Power switch to shut down the scooter, and then short press the Power switch to restart it.

3. The displayed value is dim.

Cause: The battery connection is loose, or there is no battery power left.

Solution: Turn off the scooter and restart it. If the problem remains, please contact the customer service via <https://5thwheel.life/pages/contact-us>

4. The product cannot work normally.

- a. Please make sure that it is powered on.
 - b. Check whether there is battery power left by viewing the display screen.
 - c. Check whether the left brake and rear brake are in place.
 - d. Check whether all ports and power cables are connected accurately.
- If all the above steps are checked and the product still cannot work normally, please contact us via <https://5thwheel.life/pages/contact-us>

5. Braking Distance > 2.5m

The braking distance of this product is measured under the conditions of 75kg loading, 24°C temperature, 55%-65% humidity, 2.9 bar tire pressure and asphalt pavement.

14 Product Specifications

Parameter	Product name	5TH WHEEL Electric Scooter M1
	Model	5LCHM11U
Dimension	Upright: L x W x H	Approx. 41 x 19 x 41 inches
	Folded: L x W x H	Approx. 41 x 19x 17 inches
Weight	Net weight	Approx. 30.8lbs
Status	Max Load	220lbs
	Max Speed	15mph
Main parameters	Travel Distance	11-12.4miles (Depends on factors such as environment, angle, speed, driving habits, etc.)
	Max Incline	Approx. 14°
	Applicable Terrain	Stable and smooth road surface, with bumps less than 2cm and depressions less than 3cm
	Tires	8-Inch Rubber Tire
	Damping System	Tire Damping
	Dustproof and Waterproof Grade	IP54
	Braking System	Motor brake + Foot brake+Drum brake
	LED display	Speed, Mileage, Gear
	Lighting system	LED high-brightness headlight
	Motor power	250W
Parameters about Charging	Charger Rated Input Voltage	100V-240VAC 50/60Hz
	Lithium battery	36V-6AH
	Charging time	4-5h

15 Authentication

Applicable model: M1

The product has passed the ANSI/CAN /UL-2272 certification of the CSA. The battery complies with the UN/DOT 38.3.

According to the Federal Communications Commission (FCC) Compliance Statement as follows:

The product complies with part 15 of the FCC rules, and the operation must meet the following two conditions: (1) the product should not cause harmful interference, and (2) the product must accept any received interference, including interference that may lead to accidental operation. Any change or modification not expressly approved by the responsible party may make void the user's right to operate the product.



The EU Compliance Statement is as follows:

WEEE needs to properly dispose of and recycle the product. This sign indicates that the product should not be disposed of together with other domestic waste throughout the EU. Therefore, in order to prevent possible harm of uncontrolled waste treatment to the natural environment or human health, it is necessary to recycle it and promote the sustainable reuse of material resources. To recycle the used product, use the return and collection system or contact the retailer who can use the product for environmentally safe recycling.



EU Battery Recycling Information:

Batteries or battery compartments are marked in accordance with the European Directive 2006/66/EC and the amendment 2013/56/EU on batteries and accumulator cells and scrap batteries and accumulator cells.

The directive applies to the recycling framework of waste batteries and accumulator cells throughout the EU. The label on the battery indicates that the battery should not be discarded, but recycled at the end of its service life according to the directive.

According to the European Directive 2006/66/EC and the amendment 2013/56/EU, batteries and accumulator cells are labeled to indicate that they will be collected separately and recycled at the end of their service life. The label on the battery may also contain the chemical symbols of the relevant metals in the battery (Pb, Hg and Cd). Users should not dispose of batteries and accumulator cells as garbage, but use the collection framework available to customers to recycle and dispose of batteries and accumulator cells. With the engagement of users, it is important to minimize any potential impact of batteries and accumulator cells on the environment and human health due to the presence of potentially hazardous substances.

Before placing electrical and electronic equipment (EEE) into a waste collection stream or waste collector facility, users of equipment containing batteries and/or accumulator cells must remove these batteries and accumulator cells for separate collection.

Restriction of Hazardous Substances in Electrical and Electronic Equipment (RoHS) Directive.

The products and parts (cables, wires, etc.) of Invanti (Beijing) Technology Co., Ltd comply with the requirements of directive 2011/65/EU on restricting the use of certain hazardous substances in electrical and electronic equipment ("RoHS recasting" or "RoHS 2")

© Trademark and Legal Statements

5TH WHEEL is a registered trademark of Invanti (Beijing) Technology Co., Ltd (hereinafter referred to as "Invanti"), which is authorized to be used by Solowii (Beijing) Technology Development Co., Ltd. Android and Google Play are trademarks of Google Inc. and the App Store is the service mark of Apple Inc. Their respective owners reserve the trademark rights mentioned in this user manual.

The products involved in the registered trademark of 5TH WHEEL are protected by relevant patent laws. For relevant patent information, please visit the website: <https://5thwheel.life/>.

In this user manual, we make our utmost to describe all the instructions and functions of the M1 electric scooter. With constant updates and iteration, the M1 electric scooter received may be slightly different from the product features shown in this manual. For more information, please visit the Apple App Store (iOS) to download the App.

Please note that Invanti has developed products with many functions and different models of products, and some of the functions mentioned here may not be applicable to the product or equipment received. The manufacturer reserves the right to change the design and function of the M1 electric scooter and documents without notice.

©2021 Invanti (Beijing) Technology Co., Ltd all rights reserved.

Contact Us

If you encounter any problems when using the product, please feel free to contact us through the following methods or scan the QR code to get a quick response and a satisfactory solution.

Email Address: aftersales@invantii.com

Get Customer Service



Use Camera or QR Scanner to Scan
Or Visit: <https://5thwheel.life/pages/contact-us>

This device complies with Part 15 of the FCC Rules. Operation is subject to the following two conditions: (1) this device may not cause harmful interference, and (2) this device must accept any interference received, including interference that may cause undesired operation

NOTE: This equipment has been tested and found to comply with the limits for a Class B digital device, pursuant to Part 15 of the FCC Rules. These limits are designed to provide reasonable protection against harmful interference in a residential installation. This equipment generates, uses and can radiate radio frequency energy and, if not installed and used in accordance with the instructions, may cause harmful interference to radio communications. However, there is no guarantee that interference will not occur in a particular installation.

If this equipment does cause harmful interference to radio or television reception, which can be determined by turning the equipment off and on, the user is encouraged to try to correct the interference by one or more of the following measures:

- Reorient or relocate the receiving antenna.
- Increase the separation between the equipment and receiver.
- Connect the equipment into an outlet on a circuit different from that to which the receiver is connected.
- Consult the dealer or an experienced radio/TV technician for help.

Warning: changes or modifications not expressly approved by the party responsible for compliance could void the user's authority to operate the equipment