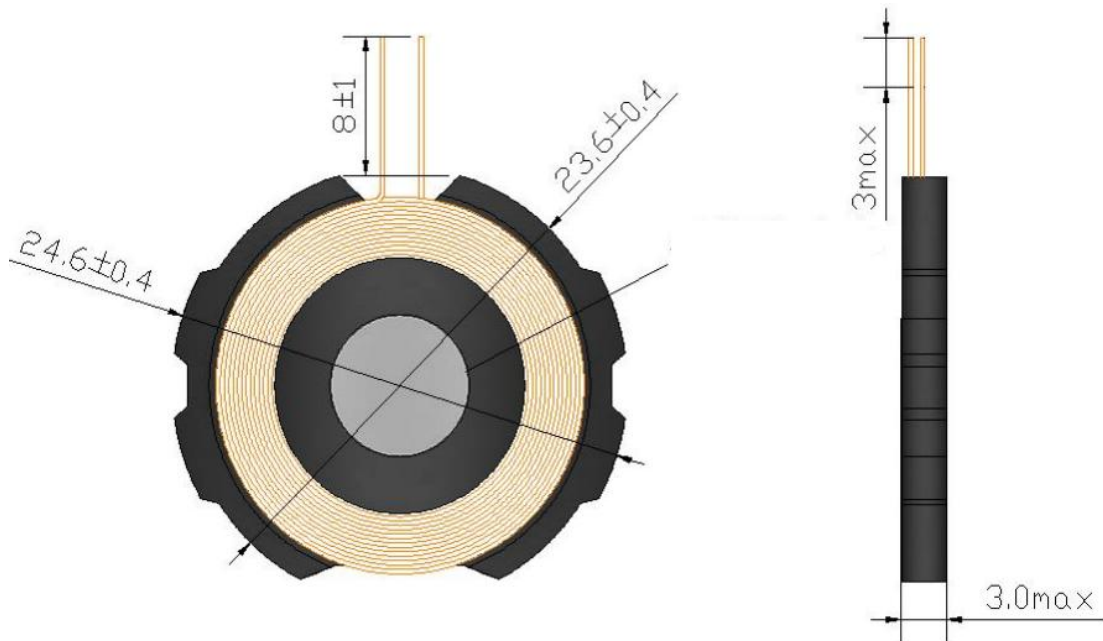


Antenna Describe

1: Antenna Describe

Antenna	Inductive loop coil Antenna
Antenna Gain	0dBi
Frequency Range	110kHz ~ 205KHz
Company Name	Shenzhen Meskey Technology co., ltd
Address	Room 401, Yuanshuo Science Park, Guihua Community, Guanlan, Longhua, Shenzhen, China

2. Size



3. Radiation Pattern View

