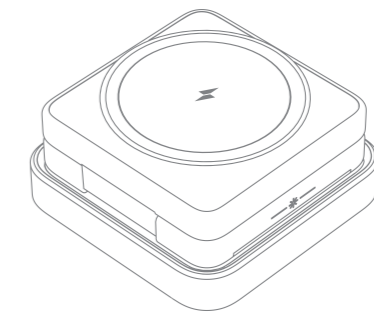
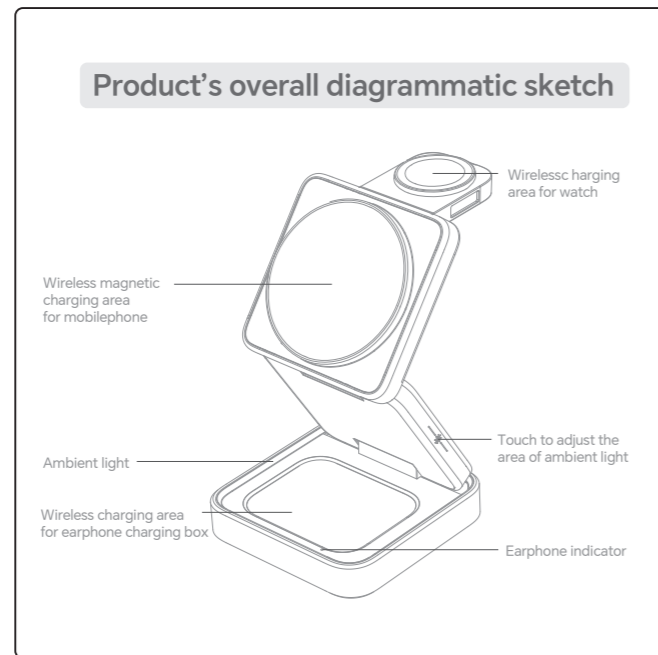


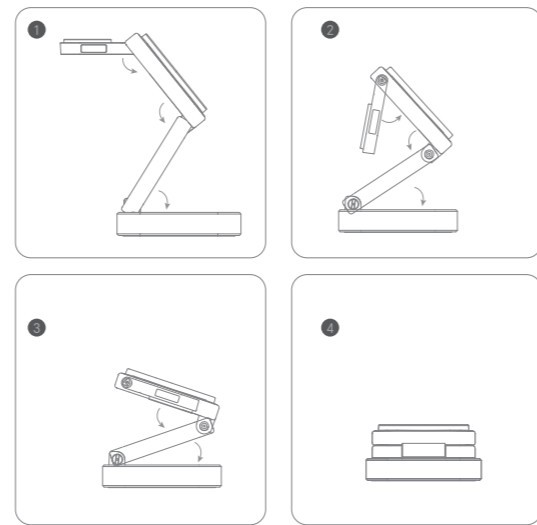
Product Manual
Wireless Charger



Metal base with foldable design Strong magnetic force



Folding diagrammatic sketch



Status of indicator light

Mode	Earphone Indicator	Ambient light
Power ON	Blue light is on	Warm white light, power on the ambient light and breathe once from dark to bright and then from bright to off. Touch to adjust the ambient lighting area (switching back and forth between off and on)
Standby	Blue light is always on	Long press to adjust the brightness of the light (press and hold again to switch back and forth from dark to bright and from bright to dark). Under the condition of no electricity, the brightness of the light will be remembered. When turning it on, the brightness of the light will be restored to the brightness when it was turned off.
Charging of earphone box	After turning on the green light, it keeps always on	
Full charge	Green light is always on	
FOD Protection Charging box of earphone	The blue light keeps flashing On for 0.5 seconds and goes off for 0.5 seconds	FOD Protection Mobile phone The ambient light flashes 5 times, turns on for 0.5 seconds, and turns off for 0.5 seconds.

Operation instruction

- This product can simultaneously charge three types of devices that support wireless charging function, including mobile phones, watches and headset wireless charging boxes.
- Please connect the wireless charger to the 5V3A, 9V3A adapter through the Type-C fast charge cable and switch on the power source.
- Put the mobile phone in the charging area to charge the mobile phone.
- Put the watch in the watch charging area to charge the watch.
- Put the headset wireless charging case in the headset charging area to charge the headset wireless charging case.



Product parameters

Name of product Magnetic 3in1 foldable wireless charger	Input DC 9V/3A
Product size 75mm*75mm*36.5mm	Output (Mobilephone) 5W/7.5W/10W/15W(Max)
Conversion efficiency Slow charge≥70% Fast charge≥75%	Output (Charging box of earphone) 5W(Max)
Working frequency 110-205KHz	Output (Watch) 2.5W(Max)
Material ABS+PC+Zinc alloy/aluminum alloy	Effective distance for wireless charging (mobile phone) ≤5mm

Cautions

Applicable devices
Please check whether your mobile phone supports wireless charging.
This product supports fast wireless charging and realizes short-distance wireless power transmission through coil induction.

Adapter choices

When using a 5V/2A output adapter, the wireless charger supports a 5W load. When using an adapter that meets the QC3.0 standard, the wireless charger supports a 15W load.

*To ensure the normal use of the charger, it is recommended to use PD fast charging or adapters that meet the QC3.0 standard

Federal Communications Commission Notice

This device complies with part 15 of the FCC Rules. Operation is subject to the following two conditions: (1) This device may not cause harmful interference, and (2) this device must accept any interference received, including interference that may cause undesired operation.
Any Changes or modifications not expressly approved by the party responsible for compliance could void the user's authority to operate the equipment.
Note: This equipment has been tested and found to comply with the limits for a Class B digital device, pursuant to part 15 of the FCC Rules. These limits are designed to provide reasonable protection against harmful interference in a residential installation. This equipment generates uses and can radiate radio frequency energy and, if not installed and used in accordance with the instructions, may cause harmful interference to radio communications. However, there is no guarantee that interference will not occur in a particular installation. If this equipment does cause harmful interference to radio or television reception, which can be determined by turning the equipment off and on, the user is encouraged to try to correct the interference by one or more of the following measures:
-Reorient or relocate the receiving antenna.
-Increase the separation between the equipment and receiver.
-Connect the equipment into an outlet on a circuit different from that to which the receiver is connected.
-Consult the dealer or an experienced radio/TV technician for help.
This equipment complies with FCC radiation exposure limits set forth for an uncontrolled environment. This equipment should be installed and operated with minimum distance 20cm between the radiator & your body.