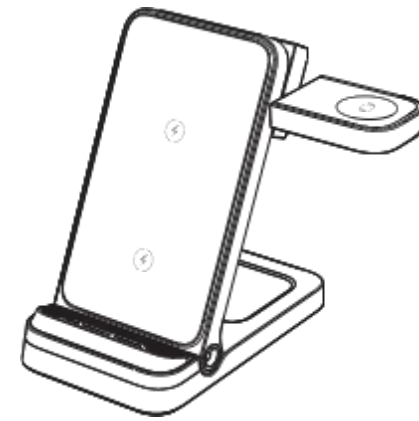
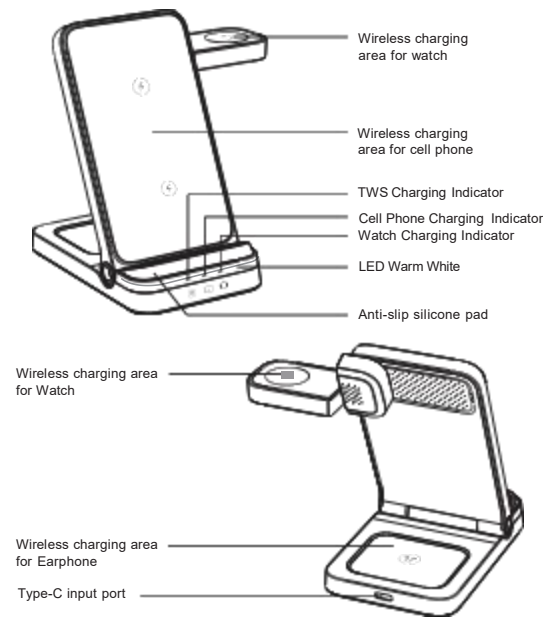


## User Manual

# Foldable 3-in-1 Wireless Charger



## Product Overview



## User Guide

1. Please connect this wireless charger to the 5V3A, 9V/3A adapter through the Type-c fast charging cable and turn on power switch.
2. Put your phone in the cell phone wireless charging area then it can be charged.
3. Put your watch in the watch charging area then it can be charged.
4. Put your earphone in the watch charging area then it can be charged.

## Indicator Light Status

**Energized mode:** LED warm white light breathing from dark to light for 3 seconds, from light to dark for 3 seconds to turn off the light.

**Standby mode:** Light off.

### Charging mode:

Cell phone charging LED warm white light breathes once then turns green. Watch indicator light turns green when watch is charging. Watch indicator light turns green when earphone is charging.

### FULL mode:

Cell Phone charging indicator light turn off when phone is fully charged, Earphone charging indicator light turn off when Galaxy Buds is fully charged. The light will keep the same when the other earphone(AirPods included) is fully charged.

### Cell phone and Earphone charging area with foreign object, over-temperature protection, over-voltage protection, under-voltage protection:

Stop charging, the white light flashes quickly 5 times to turn off the light, the flash frequency every 1 second / times.

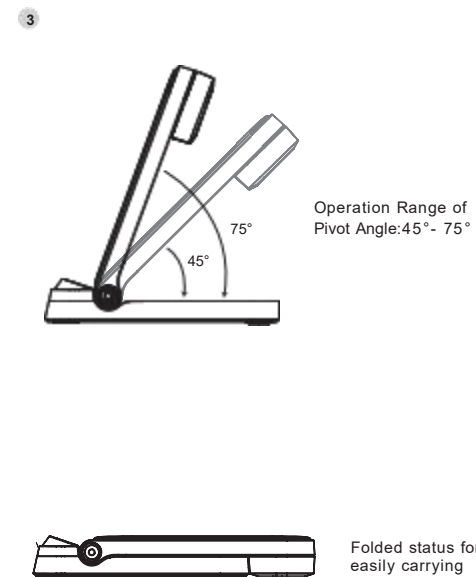
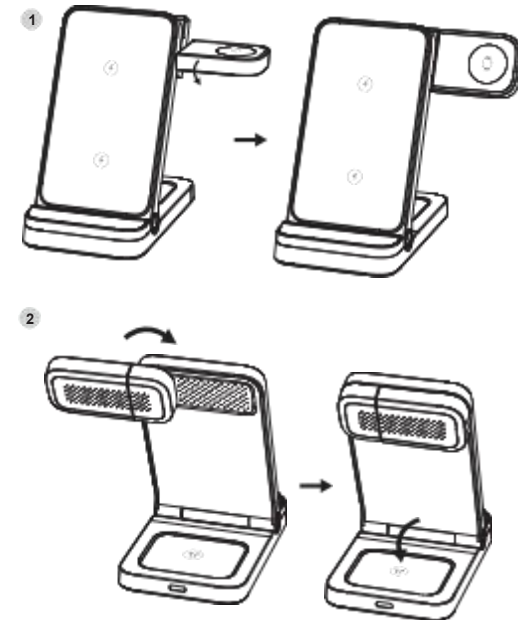
## Manufacturer Note

In order to ensure the safety and efficiency when charging three devices at the same time, it is recommended to use over 9V/2A adapter and fast charging cable, if fast charging power (15w) can be supported for cell phone, you must use 9V/3A or 12V/2A adapter and fast charging cable. (If you use 5V/2A or below adapter, this charger may not be able to charge three devices at the same time.)

## Tech Specs

<b>Name</b>	<b>Input</b>
Foldable 3-in-1 Wireless Charger	DC 5V/3A 9V/3A
<b>Product Size</b>	<b>Output</b>
143*69*21 mm	5W/7.5W/10W/15W(Max)
<b>Conversion efficiency</b>	<b>Output (Earphone)</b>
Slow charging ≥ 70% Fast charging ≥ 75	5W(Max)
<b>Operating frequency</b>	<b>Output (Watch)</b>
110-205KHz	5W(Max)
<b>Material</b>	<b>Operation range of charging distance</b>
ABS+PC	≤5mm
<b>Net Weight</b>	
204.5g	

## Wireless Charging Operation Range



## Attention

### Compatibility

Please check if your device supports wireless charging. This product support fast wireless charging for cell phone.

### Adapter Selection

When using 5V/2A output adapter, the wireless charger supports 5W workload. When using QC3.0 certified adapter, the wireless charger supports 15W workload. To ensure the normal use of the charger, it is recommended to use PD fast charging or QC 3.0 certified adapter.

### Warning!

Do not place metal objects or magnetic cards on the charging pad, that may cause the charger to heat up.

Foreign objects should be removed when alerting.

Slight heating is a normal phenomenon, the cell phone battery will heat up during the charging process.

Please do not put the charger near fire or corrosive environment.

## What's in the Box

Wireless Charger X1      User Manual X1  
Charge Cable X1

**Federal Communications Commission Notice**  
This device complies with part 15 of the FCC Rules. Operation is subject to the following two conditions: (1) This device may not cause harmful interference, and (2) this device must accept any interference received, including interference that may cause undesired operation.

Any Changes or modifications not expressly approved by the party responsible for compliance could void the user's authority to operate the equipment.

**Note:** This equipment has been tested and found to comply with the limits for a Class B digital device, pursuant to part 15 of the FCC Rules. These limits are designed to provide reasonable protection against harmful interference in a residential installation. This equipment generates uses and can radiate radio frequency energy and, if not installed and used in accordance with the instructions, may cause harmful interference to radio communications.

However, there is no guarantee that interference will not occur in a particular installation. If this equipment does cause harmful interference to radio or television reception, which can be determined by turning the equipment off and on, the user is encouraged to try to correct the interference by one or more of the following measures:

- Reorient or relocate the receiving antenna.
- Increase the separation between the equipment and receiver.
- Connect the equipment into an outlet on a circuit different from that to which the receiver is connected.
- Consult the dealer or an experienced radio/TV technician for help.

This equipment complies with FCC radiation exposure limits set forth for an uncontrolled environment. This equipment should be installed and operated with minimum distance 20cm between the radiator & your body.

