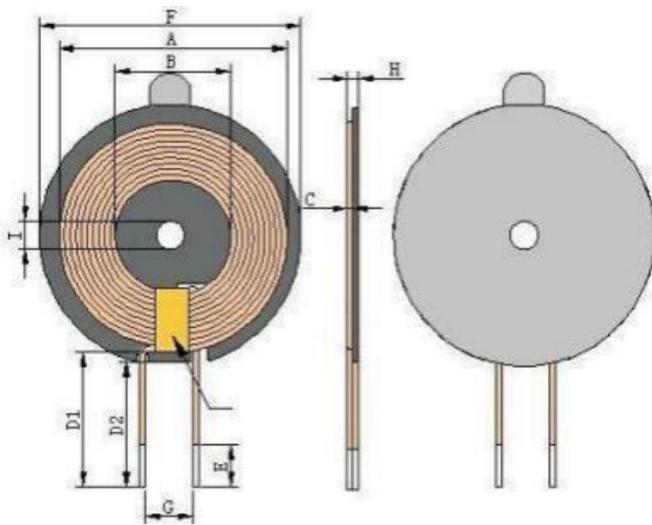


Antenna Describe

1: Antenna Describe

Antenna	Inductive loop coil Antenna
Antenna Gain	0dBi
Frequency Range	110kHz ~ 205KHz
Company Name	Shenzhen Meskey Technology co., ltd

2. Size



A	40.0 ± 1
B	20.5 ± 0.5
C	0.8 ± 0.05
D1	61 ± 2
D2	60 ± 2
E	3mm
F	43.5 ± 0.5
G	11.0 ref
H	2.0 ± 0.2 Max
I	5.3 ref

3. Radiation Pattern View

