

# Shenzhen Aiteno Communication Equipment Co., LTD

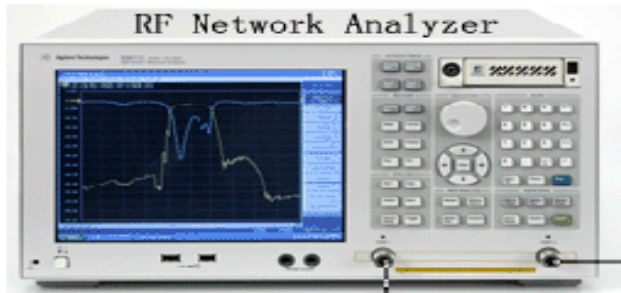
## Antenna Spec.

Frequency	2.4G-2.48G
Ant Dimension	3.18mm(L)x1.66mm(W)x1.19mm(H)
Ant Type	Unipolar ceramics Antenna
Ant Model	3216ANT2450-HM3B
Peak Gain	-1.03dBi Max.

Address: 504-505 Meisheng Chuanggu Xia Gu, Longchang Road, Xin 'an Street, Bao 'an District, Shenzhen

Tel: 0755-29308863 Fax.: 0755-29308861

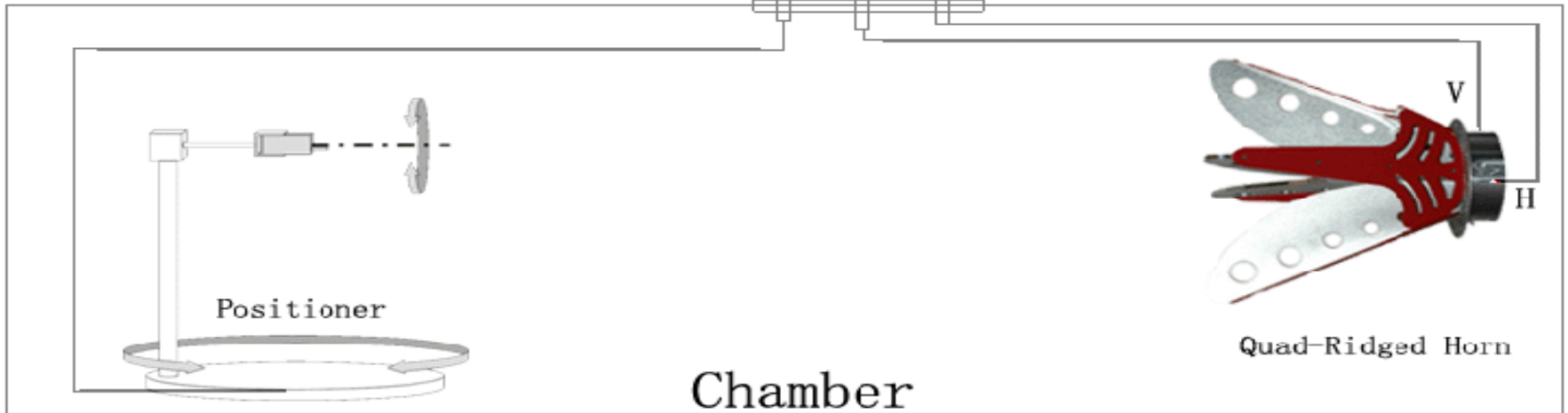
# test system



RF switch



Wireless Communications Test Set

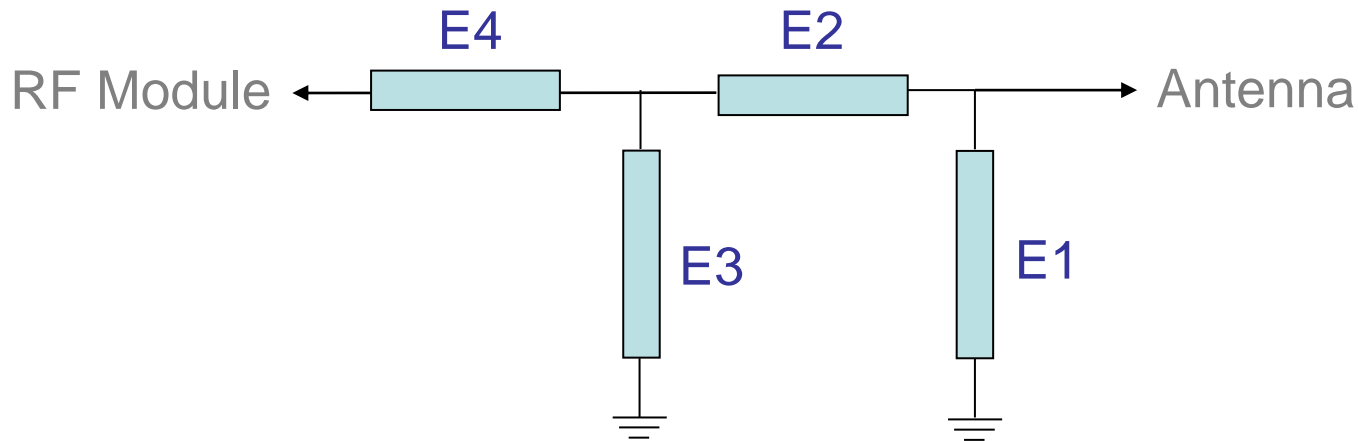


Positioner

Chamber

Quad-Ridged Horn

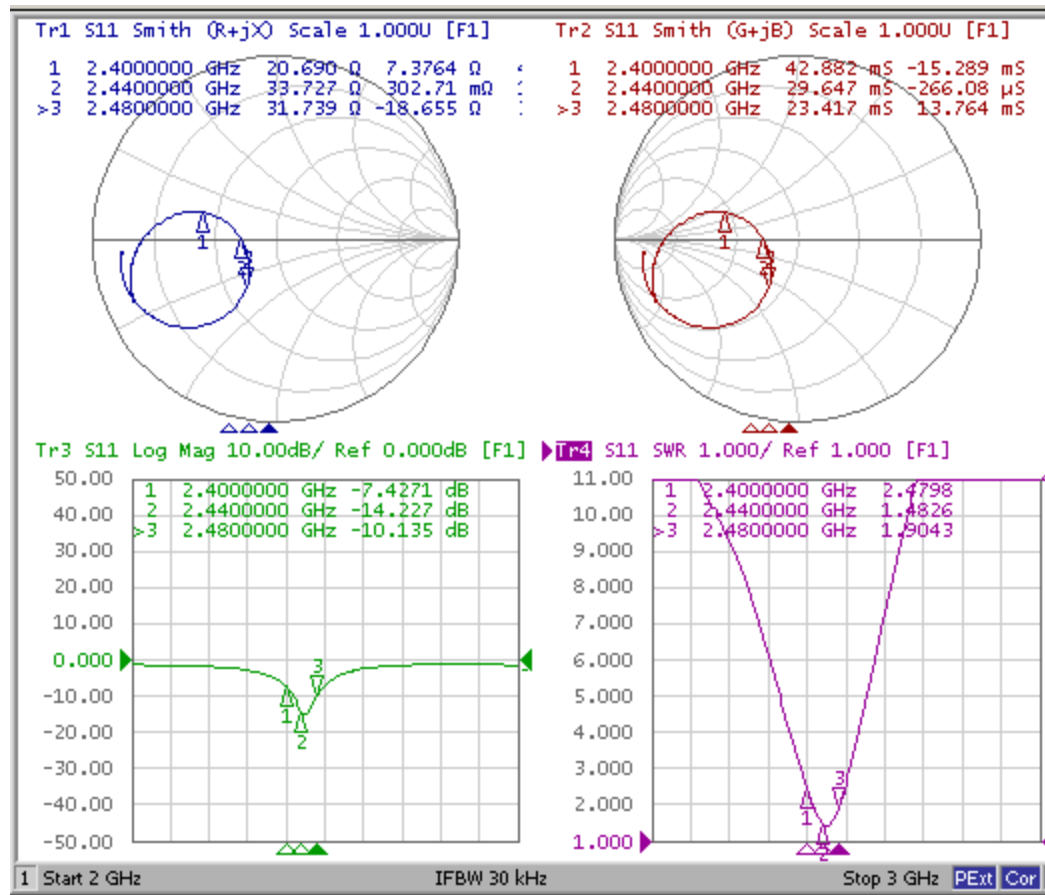
# 1、 Match circuit



Element	Value
E1(0201)	NC
E2(0201)	<b>2.7nH</b> (LQP03TN2N7B02D)
E3(0201)	<b>1.8pF</b> (GRM0335C1H1R8BA01D)
E4(0201)	<b>0Ω</b>

# 2 Passive data

## 2.1 S11 Parameter

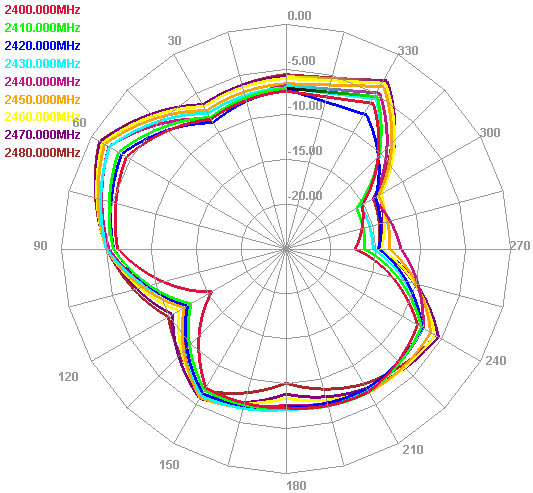


## 2.2 Gain & Efficiency

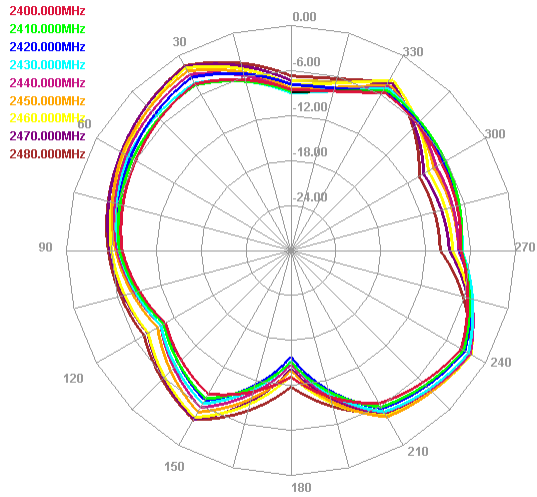
Freq (MHz)	Effi (%)	Effi (dB)	Gain (dBi)
2400	19.76	-7.04	-3.69
2410	21.93	-6.59	-2.94
2420	21.86	-6.6	-2.68
2430	25.16	-5.99	-2.05
2440	26.26	-5.81	-1.93
2450	29.47	-5.31	-1.6
2460	31.11	-5.07	-1.39
2470	32.31	-4.91	-1.1
2480	31.9	-4.96	-1.03

# 2.3 Radiation pattern

Horizontal



E1 Face



E2 Face

