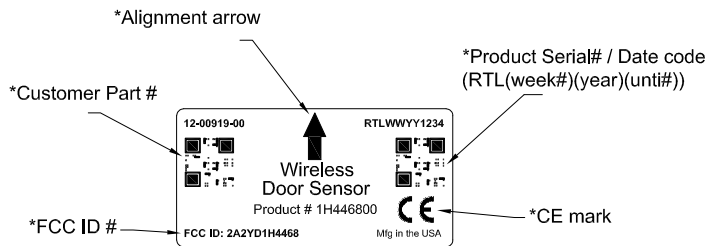
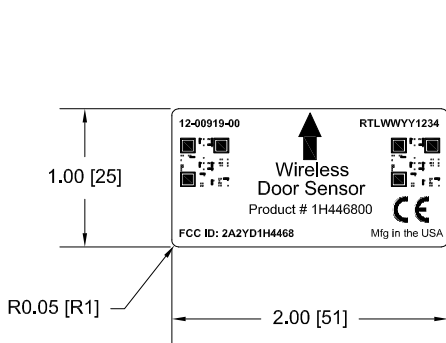


Wireless Door Sensor Product Label



Font size and styles:		
Word/Phrase	Style	Size(pt)
Wireless Door Sensor	Arial	7
Product # 1H446800	Arial	5
Cust #	Arial	4
Prod serial#	Arial	4
FCC ID#	Arial	4
Mfg in the USA	Arial	4

Notes:

1) Label details:

- *Material = Weatherproof Metallized Polyester w/ UV protection
- *Heat transferred printed text
- *Adhesive type = Permanent Acrylic adhesive
- *Background color = RAL # 7001 (light gray); gloss finish
- *Text color = Black w/UV protection
- *Service temperature = -40 to 194 F (-40 to 90 C)
- *Standard size = 1.0" x 2.0" (0.004" thick)

- 2) Brady part # B33-17-434 or engineering equivalent
- 3) Product Serial Number = RTL(wk#)(yr#)(serial#) ((example- RTLWvyy1234))
- 4) FCC Part 15,19 statement to be written in the install manual.
- 5) Font sizes and style are listed.
- 6) Dimensions = inches[mm]

03	Updated FCC ID #	12-17-2021	RRW
02	Updated FCC ID #	11-30-2021	RRW
01	Updated for FCC and CE labels	08-23-2021	RRW
00	INITIAL RELEASE	06-11-2021	RRW

	THIS DRAWING AND INFORMATION CONTAINED ARE THE PROPERTY OF R.T.E. AND IS NOT TO BE USED OR REPRODUCED FOR PRODUCTION.			
	Wireless Door Sensor Product Label			
1 West Center Street McGraw, NY 13101 USA (507)836-8954	TOLERANCE UNLESS OTHERWISE SPECIFIED: X,XX ± .020 X,XXX ± .010	SIZE B	FSCM NO. 22443503 DWG NO. 22443503	REV 03
SCALE NA (44)Sensor		SHEET 1 of 2		