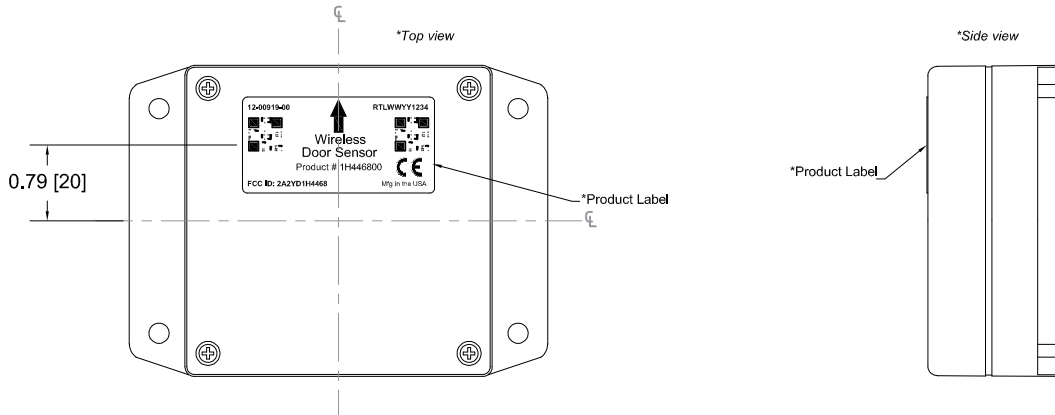



Wireless Door Sensor Product Label - Placement



Notes:
1) Dimensions = inches[mm]

03	Updated FCC ID #	12-17-2021	RRW
02	Updated FCC ID #	11-30-2021	RRW
01	Updated for FCC and CE labels	08-23-2021	RRW
00	INITIAL RELEASE	06-11-2021	RRW

 REFRIGERATED TRANSPORT ELECTRONICS, INC.	THIS DRAWING AND INFORMATION CONTAINED ARE THE PROPERTY OF R.T.E. AND IS NOT TO BE USED OR REPRODUCED FOR PRODUCTION.			
	Wireless Door Sensor Product Label			
1 West Center Street McGraw, NY 13101 USA (807)836-8954	SIZE B	FSCM NO.	DWG NO. 22443503	REV 03
TOLERANCE UNLESS OTHERWISE SPECIFIED: X,XX ± .020 X,XXX ± .010	SCALE NA	(44)Sensor	SHEET	2 of 2