

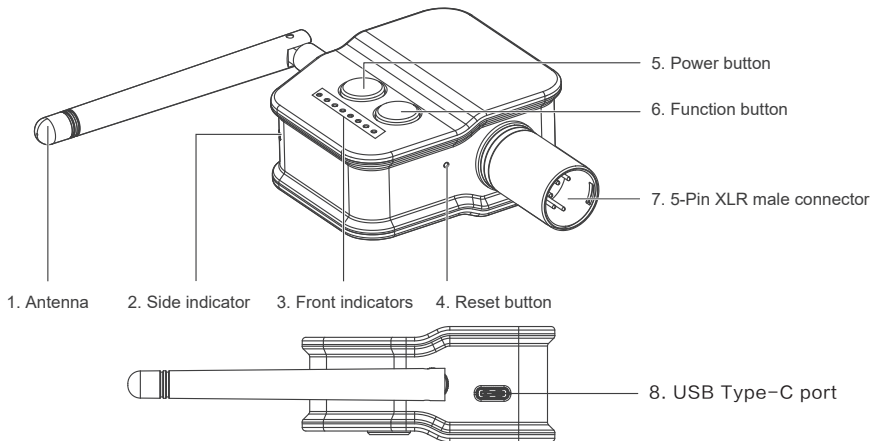
**NANLINK**

***WS-DMX-T1***  
USER MANUAL

Guangdong NanGuang Photo&Video Systems Co., Ltd

# WS-DMX-T1 Wireless DMX Transmitter

## Product Details



## Detailed Description

1. Antenna: Enhance signal transmission.
2. Side indicator: Indicates low battery and displays charging status.
3. Front indicators: For indicating the battery level and transmitter group (corresponding to the eight groups of "ABCDEFGH" from left to right).
4. Reset button: For resting the transmitter.
5. Power button: Long press the power button to turn on/off the transmitter, short press to check the battery level when powered on.

6. Function button: For switching the groups.
7. 5-Pin XLR male connector: For connecting the DMX adapter or console.
8. USB Type-C port: For charging the transmitter or upgrade the firmware.

## Usage

1. Long press the power button to turn on the wireless DMX transmitter after inserting it into the console, press the function button to select one group. Then select the corresponding group on the fixture to control it wirelessly via DMX console after activating its wireless DMX function.
2. Short press the power button, the front indicators will light up to indicate current battery levels (When the battery level is 0%-12.5%, only the "A" indicator will light up; when the battery level is 12.6%-25%, only the "A" and "B" indicators will light up, and so on, when the battery level is 87.6%- 100%, all the eight indicators will light up), it will return to indicate the current group after 5 seconds.
3. The side indicator will flash when the battery level of the transmitter is lower than 10% and indicator lights breathe while charging. Once the battery is fully charged, the side indicator will stay on.
4. Firmware update: insert the USB flash drive and turn on the transmitter, the eight front indicators will light up one by one, which means the new firmware can then be found on the transmitter. Long press the function button for 2 seconds to start the firmware upgrade. When the upgrade is complete, the breathing light effect will stop and the transmitter will work normally. If the upgrade fails, the eight front indicators will keep flashing (once per second). The transmitter will need to be turned off before trying again.
5. Press the reset button to reset the transmitter, the transmitter will be off after reset.

## General Fault Detection and Diagnosis

Fault Detection	Diagnosis
The wireless DMX transmitter stuck in operation interface.	Press the reset button to reset the transmitter.
The fixture can work normally, but can't be controlled by the wireless DMX transmitter.	<ol style="list-style-type: none"> <li>1. Check if the transmitter and the fixture are at the same group.</li> <li>2. Check if the transmitter has power supply.</li> </ol>

This manual has been compiled according to the rigorous testing of our company's products. Product designs are subject to change without prior notice.

## FCC Statement

This equipment has been tested and found to comply with the limits for a Class B digital device, pursuant to part 15 of the FCC Rules. These limits are designed to provide reasonable protection against harmful interference in a residential installation. This equipment generates, uses and can radiate radio frequency energy and, if not installed and used in accordance with the instructions, may cause harmful interference to radio communications. However, there is no guarantee that interference will not occur in a particular installation. If this equipment does cause harmful interference to radio or television reception, which can be determined by turning the equipment off and on, the user is encouraged to try to correct the interference by one or more of the following measures:

- Reorient or relocate the receiving antenna.
- Increase the separation between the equipment and receiver.
- Connect the equipment into an outlet on a circuit different from that to which the receiver is connected.
- Consult the dealer or an experienced radio/TV technician for help.

Caution: Any changes or modifications to this device not explicitly approved by manufacturer could void your authority to operate this equipment.

This device complies with part 15 of the FCC Rules. Operation is subject to the following two conditions: (1) This device may not cause harmful interference, and (2) this device must accept any interference received, including interference that may cause undesired operation.

## RF Exposure Information

This equipment complies with FCC radiation exposure limits set forth for an uncontrolled environment. This equipment should be installed and operated with minimum distance 20cm between the radiator and your body.


Version: V2 2022-05-24

**NANLINK**

 +86-754-85751187

 +86-754-85300887

 [service@nanlite.com](mailto:service@nanlite.com)

 Zhanglin, 324, Dongli Chenghai Shantou Guangdong China

[www.nanlink.com](http://www.nanlink.com)