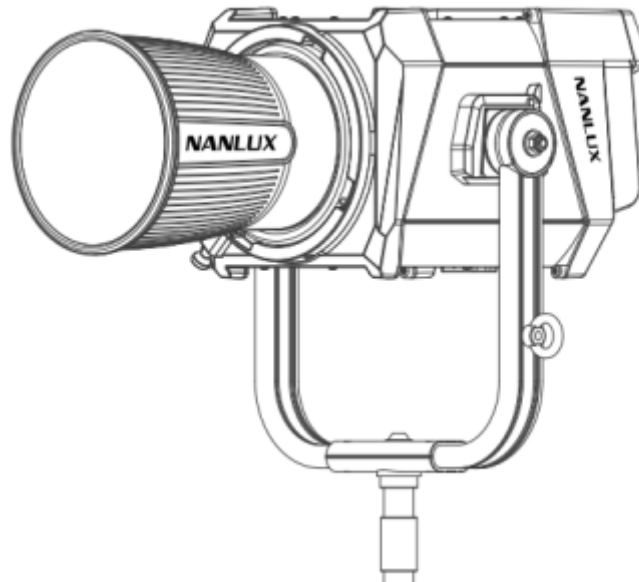


User manual



1、 Model and Product name: Evoke 1200B LED Bi-color Spot Light

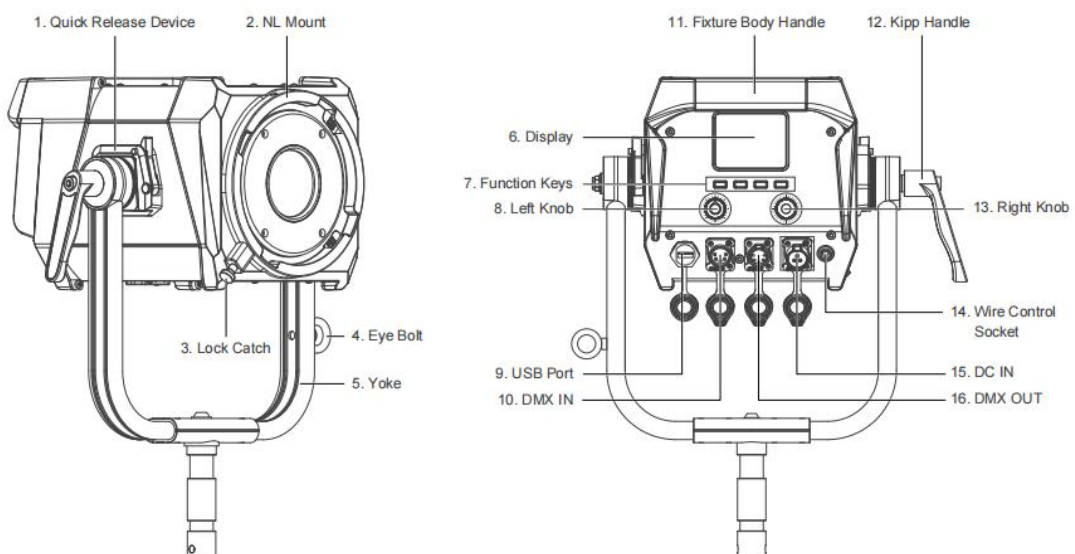
2、 Technical data:

Input: AC 100-240V 50/60Hz

Output: DC 48V/25A Max.1200W

Color Temperature: 2700-6500K CRI: 95 TLCI: 98

3、 Product details:



4、 2.4G、 Bluetooth and LUMENRADIO Remote Control

Evolve 1200B is able to be remotely controlled by 2.4G remote controller, or by NANLINK APP via the transmitter box or via Bluetooth directly.

Note:

- 1) 2.4G remote controller and transmitter box are sold separately.
- 2) The fixture supports the 2.4G wireless protocol V1.0 and V2.0. Please set fixture to V2.0 while using WS-RC-C1 or WS-RC-C2 remote controller. Please set fixture to V1.0 while using other remote controllers.

Evolve 1200B has built-in lumenradio module, enabling it to receive CRMX wireless DMX signals.

5、 Safety Precautions

- 1) Please open the package to check for damage caused in transit, if damaged please do not use and contact place of purchase or manufacturer as soon as possible.
- 2) Please do not use a power cord with damaged insulation, do not unplug too hard or drag the power cord directly.
- 3) Make sure that the power supply voltage used matches the voltage designated by the light before installation.
- 4) Please turn the light off when it is not in use or before cleaning.
- 5) Please keep the light safely stored and away from children.

6、 Notice

- 1) Please take off the COB protective cap before using.
- 2) Please do not look directly at the emitter when the light is on .
- 3) Please wait 10 seconds to turn off the light fixture after any parameter setting in order to save it for future use.
- 4) Please do not place any objects on the light emitter or allow liquid to flow inside the fixture or the emitter.
 - 5)Please do not place the light fixture near the flammable substances like alcohol or gasoline.
 - 6)Please wipe off debris or dirt by using a cloth with clean water or neutral cleanser when cleaning the light.
 - 7)The fixture should be used in dry and ventilated place and avoid being used in damp, dusty or overheated environment, also make sure the fan and the vents are not blocked or obstructed.
 - 8)Any attempt to repair the fixture by yourself will void warranty, disassembling and repair can only be allowed when trained professionals are involved under strict protocol regulated in this manual.
 - 9) For optimal cooling of the fixture, the vents should not be covered when using, or might result in damaging the equipment. The temperature on the fixture surface is high when using for a long time, please caution to prevent burns and scalds.
 - 10)BLE and SRD simultaneous launch is not supported.SRD is only received.

7、 FCC Statement

Changes or modifications not expressly approved by the party responsible for compliance could void the user's authority to operate the equipment.

This equipment has been tested and found to comply with the limits for a Class B digital device, pursuant to Part 15 of the FCC Rules. These limits are designed to provide reasonable protection against harmful interference in a residential installation. This equipment generates uses and can radiate radio frequency energy and, if not installed and used in accordance with the instructions, may cause harmful interference to radio communications. However, there is no guarantee that interference will not occur in a particular installation. If this equipment does cause harmful interference to radio or television reception, which can be determined by turning the equipment off and on, the user is encouraged to try to correct the interference by one or more of the following measures:

- Reorient or relocate the receiving antenna.
- Increase the separation between the equipment and receiver.
- Connect the equipment into an outlet on a circuit different from that to which the receiver is connected.
- Consult the dealer or an experienced radio/TV technician for help

This device complies with part 15 of the FCC rules. Operation is subject to the following two conditions:

- 1) this device may not cause harmful interference.
- 2) this device must accept any interference received, including interference that may cause undesired operation.

This equipment complies with FCC radiation exposure limits set forth for an uncontrolled environment. This equipment should be installed and operated with minimum distance 20cm between the radiator & your body.