

**NANLUX**

INNOVATE · ILLUMINATE

# *Evoke 1200*

*LED SPOT LIGHT*

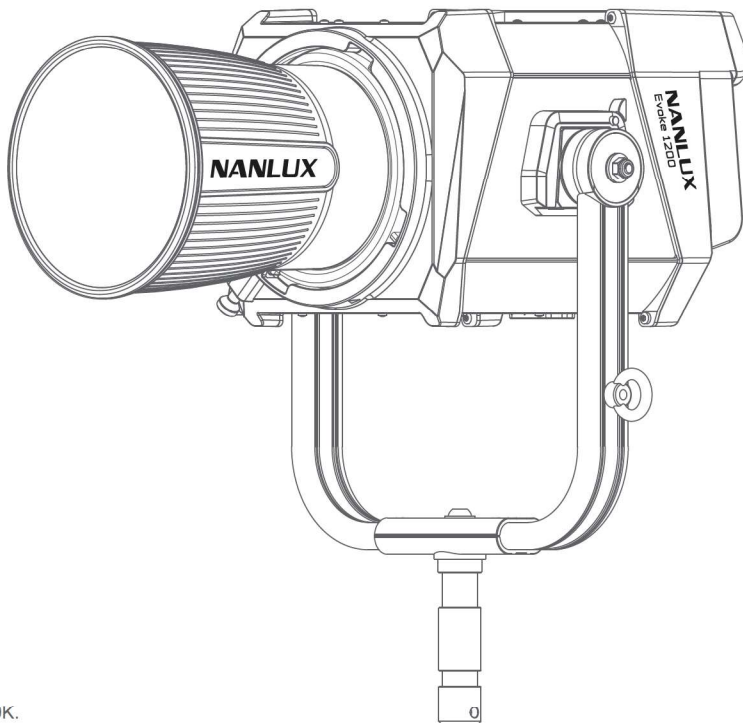
[WWW.NANLUX.COM](http://WWW.NANLUX.COM)

# Contents

<b>Product Diagram</b> .....	01	①DAYLIGHT Key .....	25
<b>Technical Data</b> .....	01	2. EFFECT Key .....	26
<b>Product Details</b> .....	02	3. MENU Key .....	40
<b>Detailed Description</b> .....	03	①ADDRESS/DMX .....	41
<b>Usage</b>		②RESET BLUETOOTH .....	41
1. Connection between the Light Fixture and Power Supply .....	04	③WIRELESS PROTOCOL .....	41
2. Installation and Detachment of Yoke .....	06	④LUMENRADIO SETTINGS .....	41
3. Installation and Detachment of Reflector .....	10	⑤FAN CONTROL .....	42
4. AS-CP-QR-EV Evoke Quick Release Clamp Installation .....	11	⑥ROTATE SCREEN .....	43
<b>Remote Control</b>		⑦SCREEN BRIGHTNESS .....	44
1. ADDRESS/DMX .....	12	⑧BUTTON BACKLIGHT .....	45
2. DMX Remote Control .....	15	⑨LANGUAGE .....	46
3. 2.4G Remote Control .....	17	⑩VERSION .....	47
4. RDM Remote Control .....	18	4. LOCK Key .....	47
5. LUMENRADIO Remote Control .....	19	<b>Safety Precautions</b> .....	48
<b>Operating Instructions</b>		<b>Notice</b> .....	48
1. Screen Interface Display Instructions .....	25	<b>General Fault Detection and Diagnosis</b> .....	48
		<b>Product Includes</b> .....	49

# *Evoked* 1200 LED Spot Light

## ■ Product Diagram



## ■ Technical Data

Rated power: 1200W

Input voltage/current: DC48V/25A Max

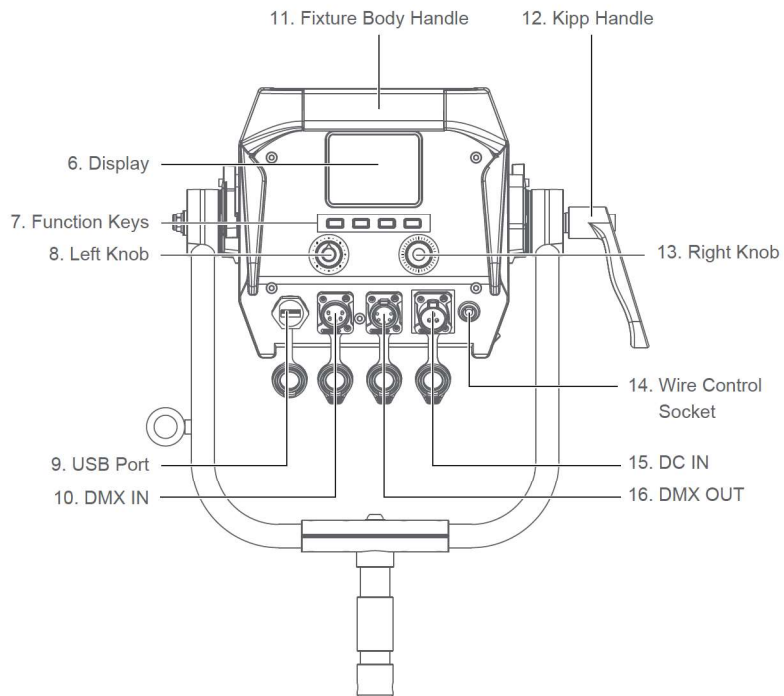
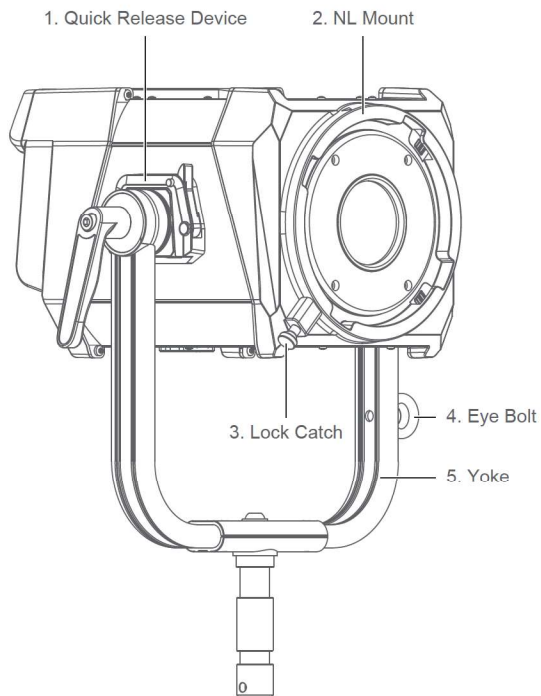
AC100-240V 50/60Hz

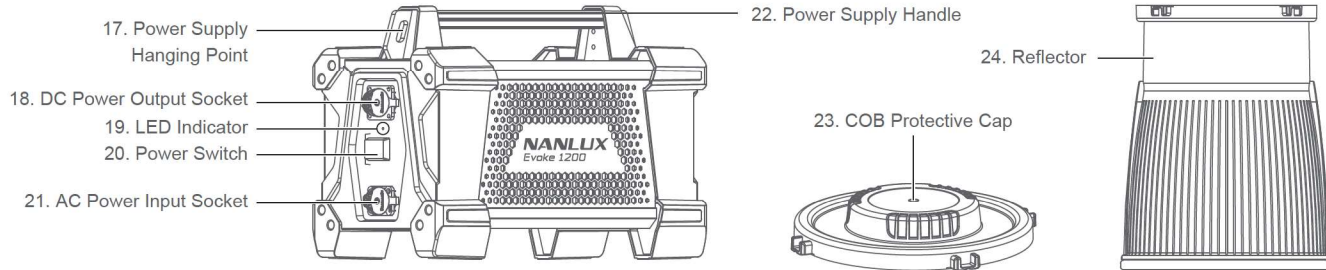
CRI: 96

TLCI: 97

This manual applies to the light fixtures in 5600K and 3200K.

# Product Details





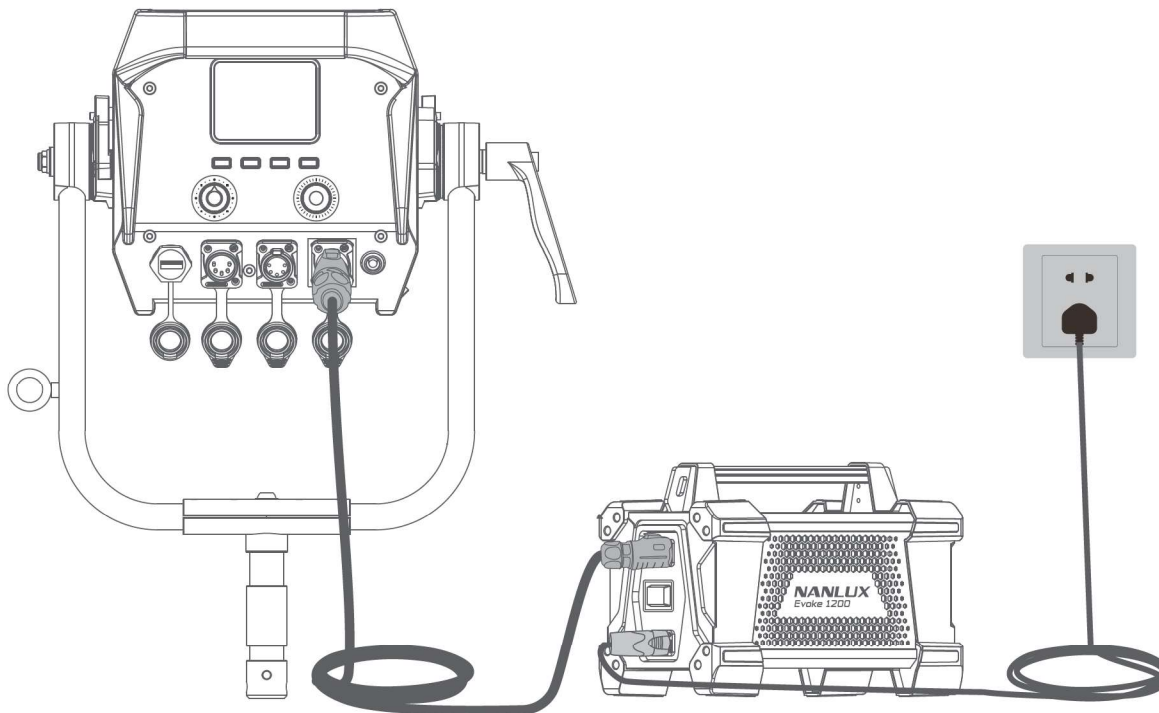
## Detailed Description

1. Quick release device: For quick installation and detachment of yoke.
2. NL mount: For installation of reflector or other NL mount accessories.
3. Lock catch: To lock or release the reflector or other accessories.
4. Eye Bolt: For hanging safety rope.
5. Yoke: Mount the fixture on a stand, pan and tilt.
6. Display: To display data.
7. Functions keys: Including DAYLIGHT, EFFECT, MENU and LOCK.
8. Left knob: For adjusting brightness and other parameters.
9. USB port: For updating firmwares or connecting USB cable to external devices with maximum current of 5V/1A.
10. DMX IN: DMX signal input interface.
11. Fixture body handle: Adjust the direction of the fixture.
12. Kipp handle: Tighten or release the tilt movement of the fixture on the yoke.
13. Right knob: For selecting options.
14. Wire control socket: Wire control Interface.
15. DC IN: DC power input interface.
16. DMX OUT: DMX signal output interface.
17. Power supply hanging point: For safely hanging the power supply.
18. DC power output socket: For connecting the fixture to the power supply with DC cable.
19. LED indicator: For determining the status of power input. Being on, power supply normal; Flashing or being off, power supply abnormal or no power input.
20. Power switch: To turn on/off the fixture.
21. AC power input socket: For connecting AC power supply.

- 22. Power supply handle: For lifting the power supply.
- 23. COB protective cap: When not using the fixture, cover with the cap for protection.  
(Note: Take off the cap before using.)
- 24. Reflector: For concentrating light to improve central illumination.

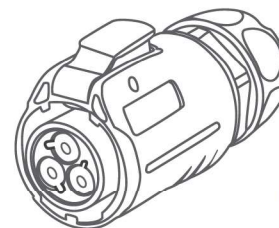
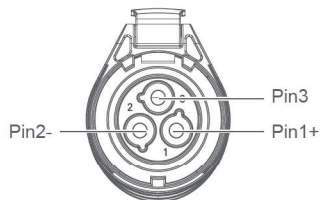
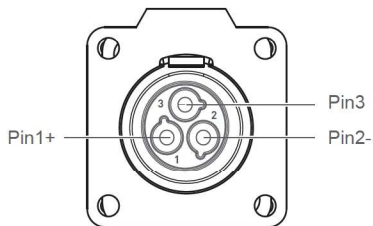
## Usage

### 1. Connection between the Light Fixture and Power Supply



▲Note:

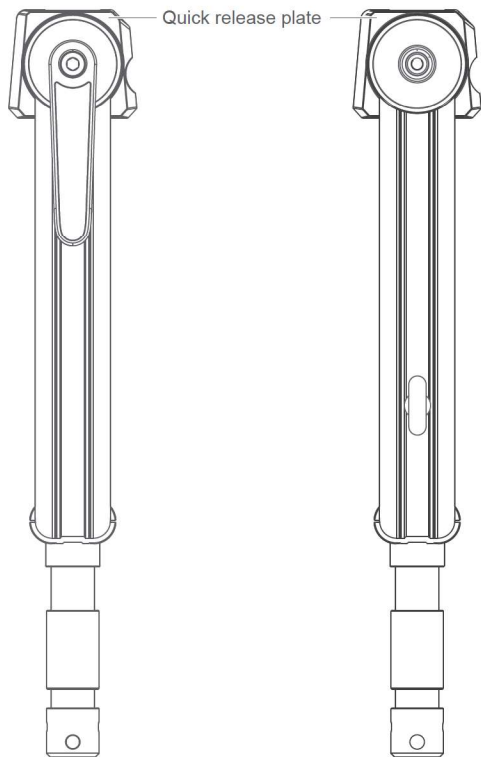
- ①When connecting the power supply, please make sure the power, voltage and frequency are consistent with the provided power supply
- ②Make sure to use the provided power supply and power cable. The connection between the DC plug and the DC IN power input socket on the fixture should be connected as following.



- Pin1+: Connect with power supply +
- Pin2-: Connect with power supply -
- Pin3: Grounding wire

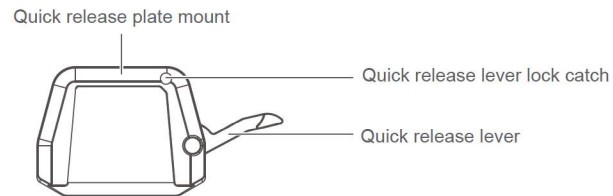
2. Installation and Detachment of Yoke

① Quick release yoke diagram



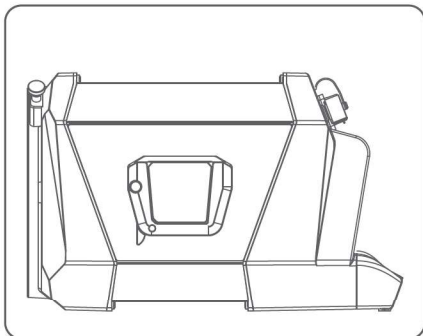
The side with kipp handle

The side with damping

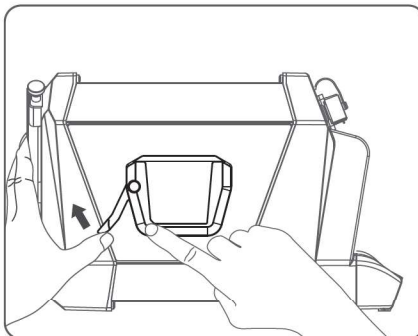




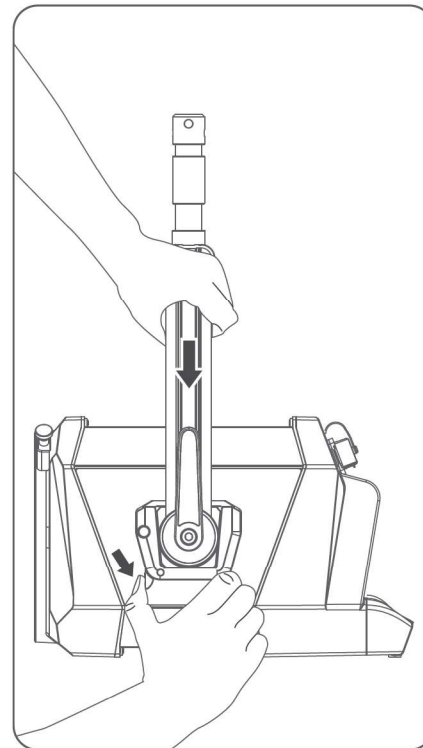
② Installation of Yoke (Method One)



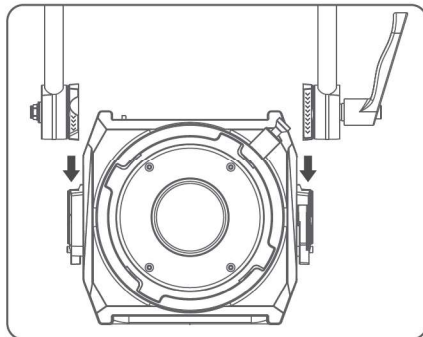
Lay the light fixture, bottom up, on flat ground.



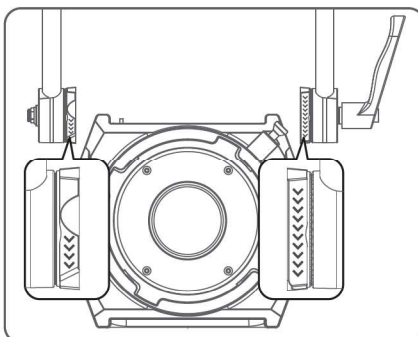
Press the quick release lever lock catch to release it. Pull the quick release lever.



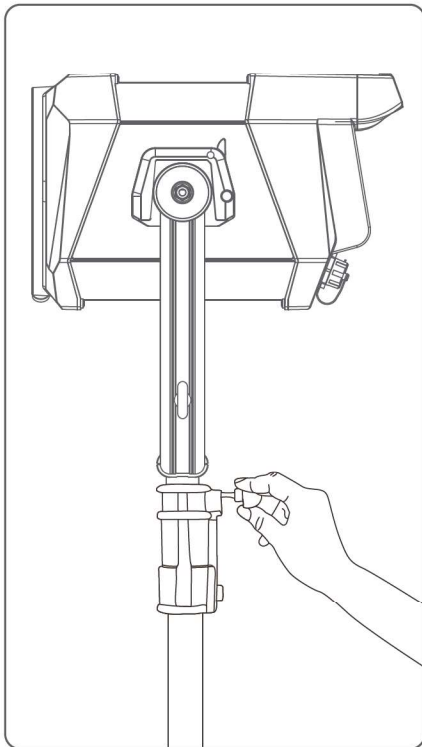
Firmly holding the yoke in place with one hand, pull the quick release lever with the other hand to lock the plate.



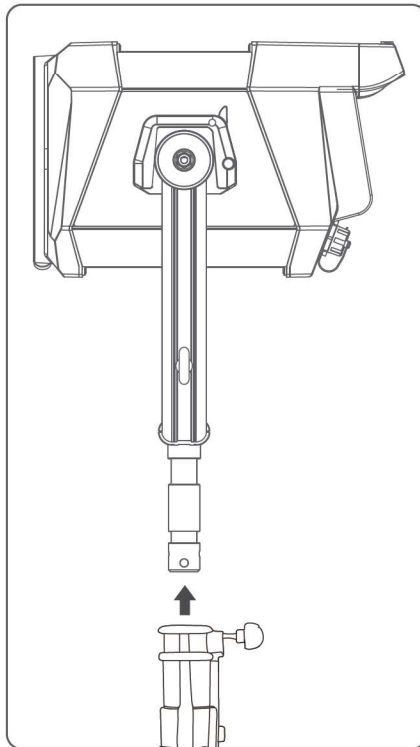
Align and insert the quick release plates to both mounts of the light fixture.



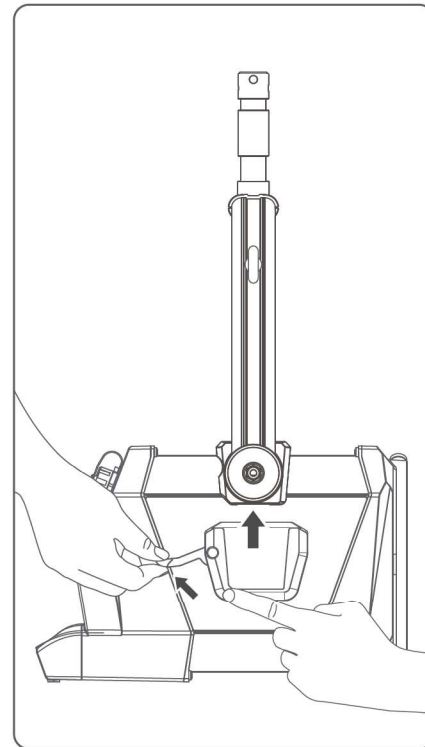
(Note: When installing the quick release plate, please adjust the plate to right directions, then insert them into the mount.)



Mount the yoke on heavy-duty light stand. Secure the fixture by locking the fastening screws on the stand.

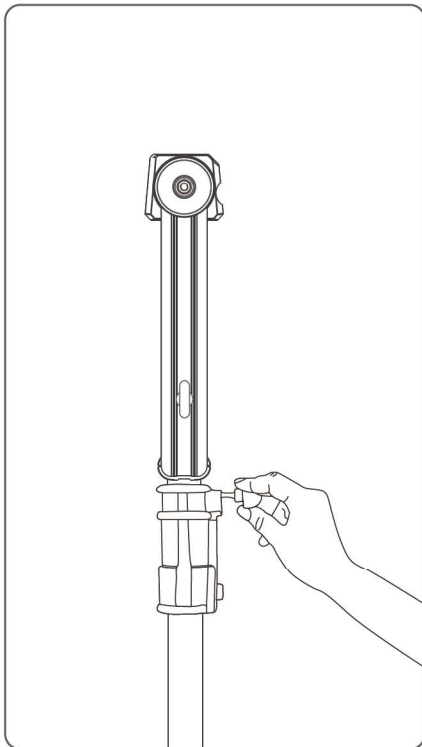


When removing the yoke, remove the fixture from the heavy-duty light stand first and lay it down on flat ground.

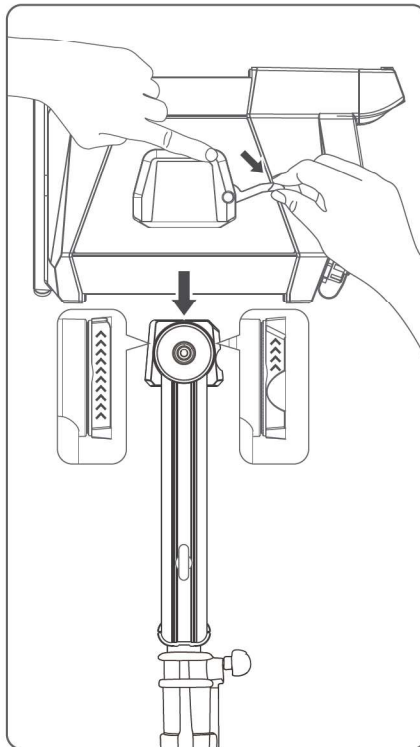


Press the quick release lever lock catch of the fixture on both sides, then release the quick release lever to remove the fixture.

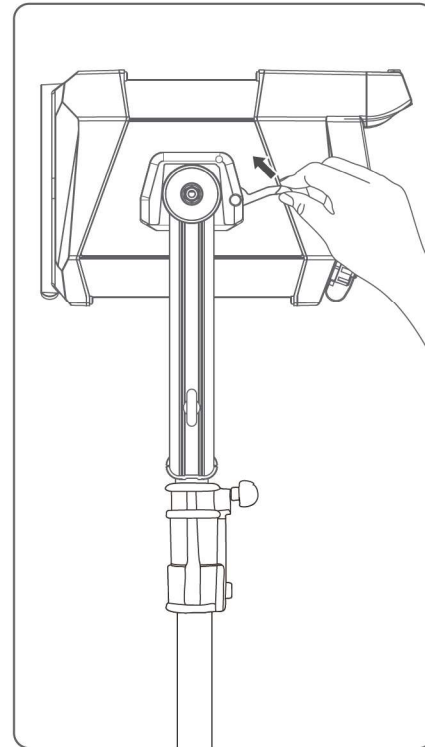
③ Installation of Yoke (Method Two)



Mount the yoke on heavy-duty light stand. Secure the fixture by locking the fastening screws on the stand.

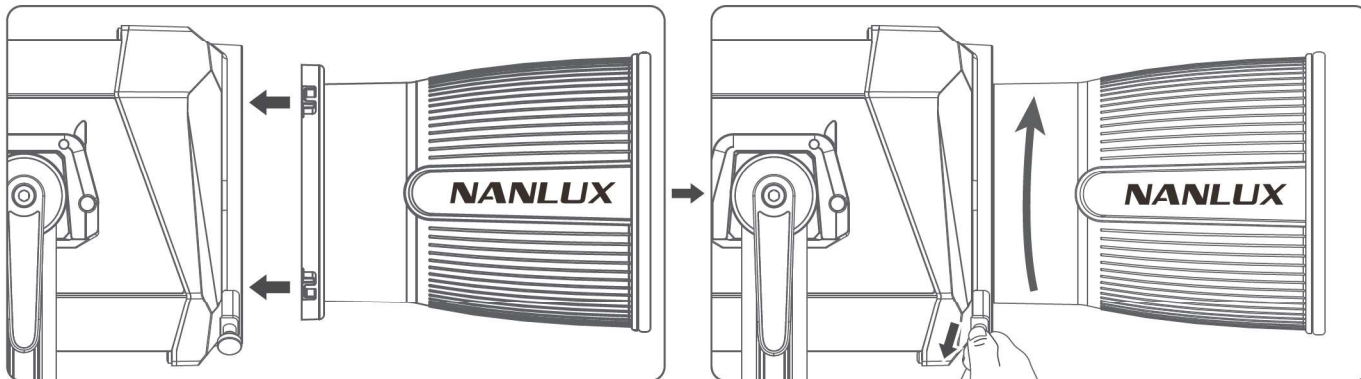


Press the quick release lever lock catch, pull the quick release lever, align and insert the quick-release plate mounts to the plates of the yoke.

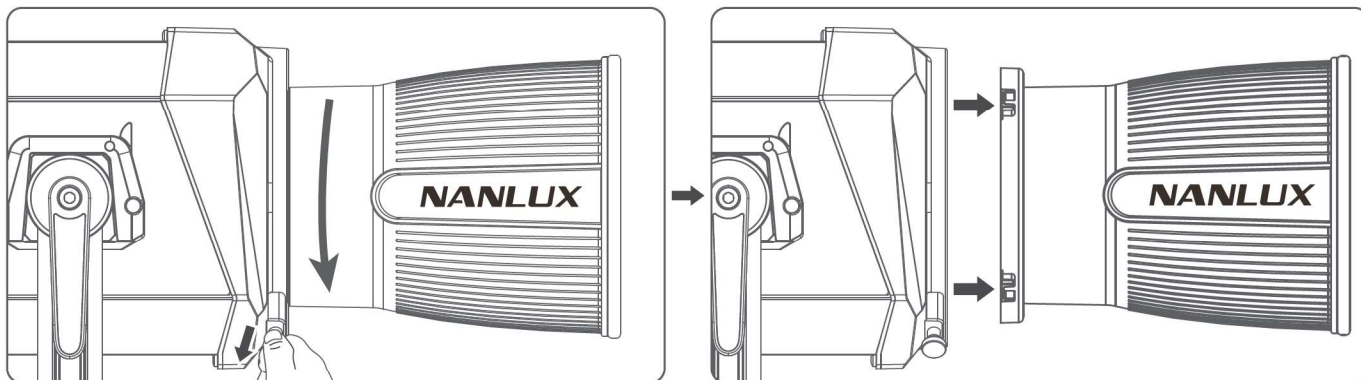


Pull quick release lever lock catch on both side of the fixture to lock the plates in place. Installation of the yoke is complete.

3. Installation and Detachment of Reflector

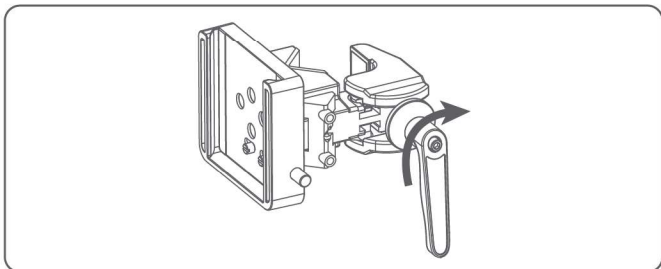


When installing the reflector, align the reflector's bayonet lock to the light's mount, rotate the reflector clockwise and fasten the reflector on the light.  
 (Note: if the rotation is not smooth, pull the lock catch of the mount and rotate the reflector at the same time.)

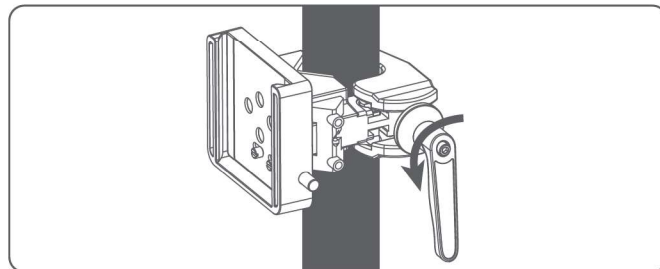


When removing the reflector, pull the lock catch of the mount, rotate the reflector anticlockwise and remove.

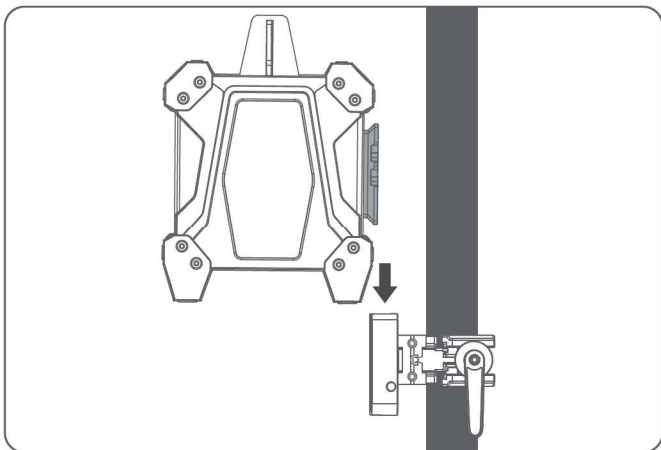
#### 4. AS-CP-QR-EV Evoke Quick Release Clamp Installation



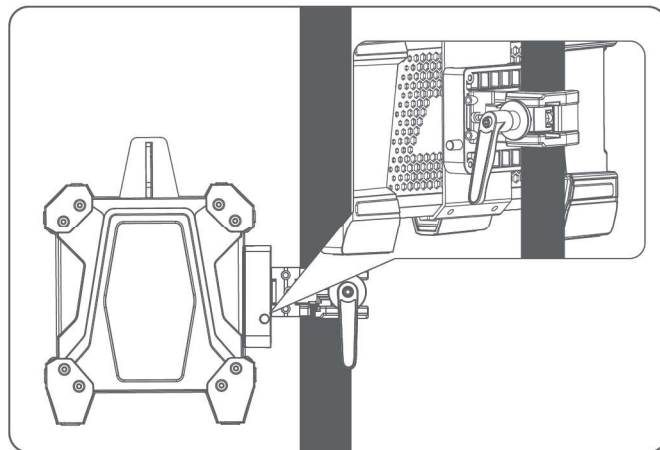
① Loosen the kipp handle to open the clamp.



② Mount the quick release clamp on the light stand, then rotate the kipp handle to tighten the clamp.



③ Align the quick release plate on the power supply with the quick release mount on the clamp to mount the control unit on to the clamp.



④ When removing the power supply, press the lock catch on the clamp and release the power supply from the clamp.

## Remote Control

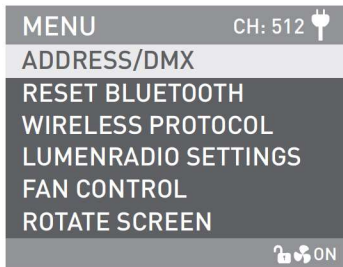
. Evoke 1200 supports remote control via DMX, 2.4G, RDM and LUMENRADIO, and has built-in Bluetooth.

▲ The ADDRESS needs to be set before operating the remote control via DMX, 2.4G, RDM and LUMENRADIO.

1. ADDRESS/DMX, including ADDRESS, DMX MODE and DMX DIMMING CURVE settings.

### ① ADDRESS

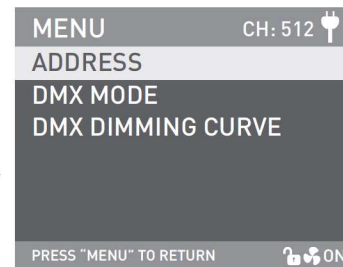
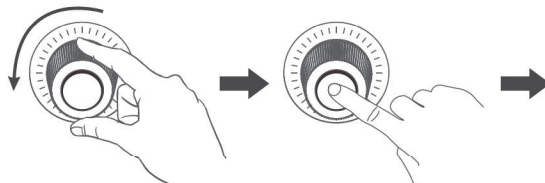
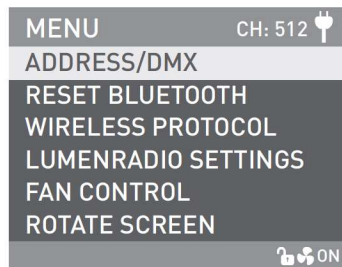
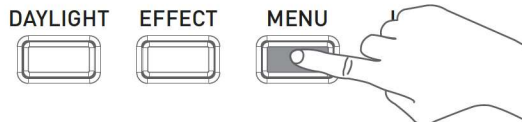
Press MENU key to access options.



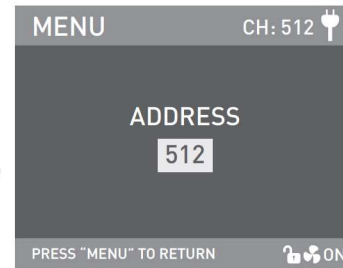
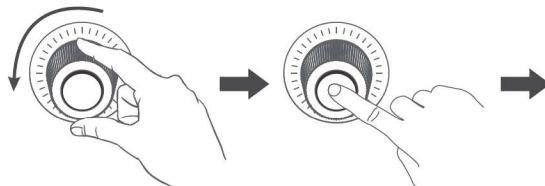
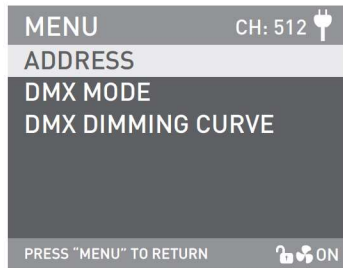
Left knob



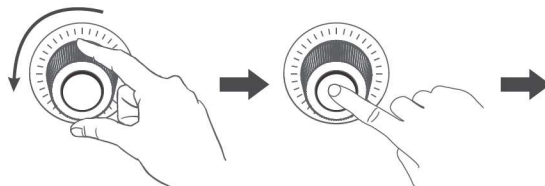
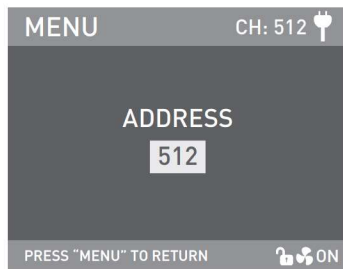
Right knob



Rotate "Right knob" to ADDRESS/DMX. Press "Right knob" to enter the corresponding secondary menu.

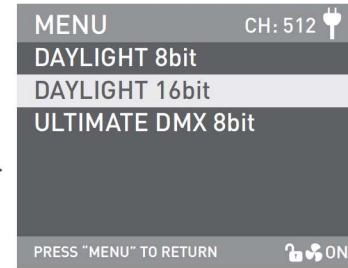
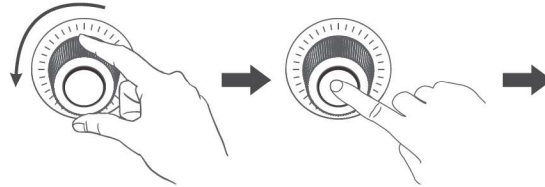
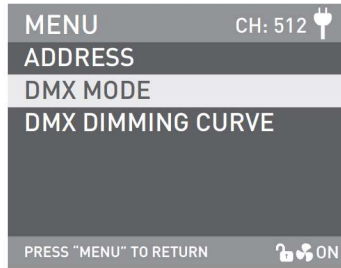


Rotate "Right knob" to ADDRESS. Press "Right knob" to enter the corresponding third menu.

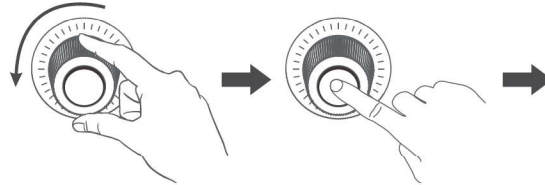
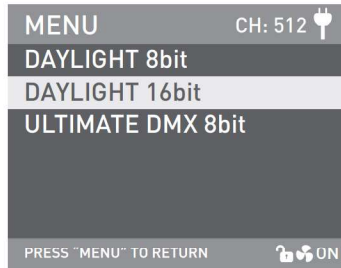


Rotate "Right knob" to select the desired ADDRESS number. Press the "Right knob" to set.

②DMX MODE



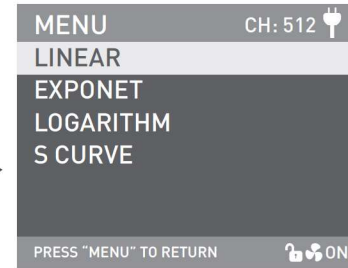
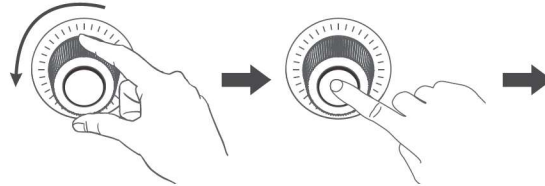
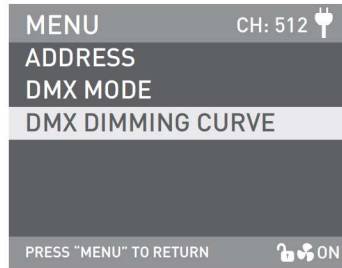
Rotate "Right knob" to DMX MODE. Press "Right knob" to enter the corresponding third menu.



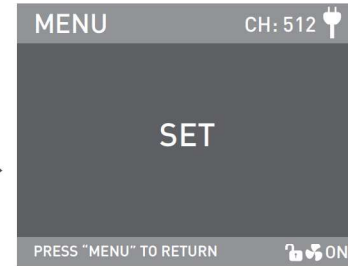
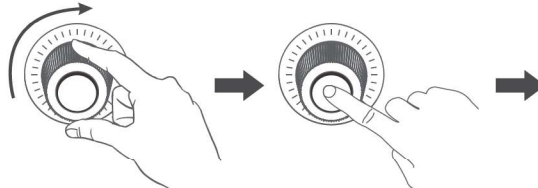
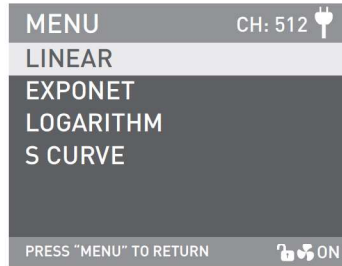
Rotate "Right knob" to select the corresponding DMX mode. Press "Right knob" to set.



③DMX DIMMING CURVE



Rotate "Right knob" to DMX DIMMING CURVE. Press "Right knob" to enter the corresponding third menu.



Rotate "Right knob" to select the corresponding DMX dimming curve. Press "Right knob" to set.

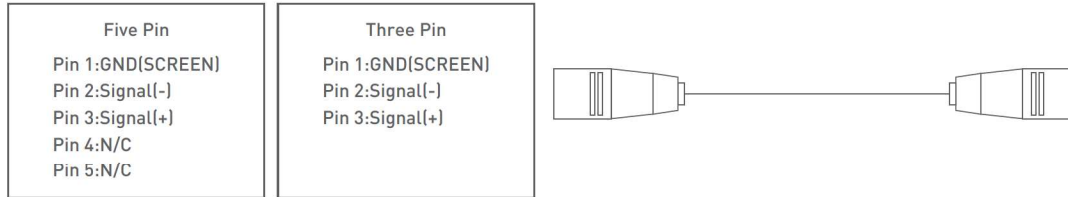
2. DMX Remote Control

①Connect the light fixture and the DMX512 console using the connection cable, as below.



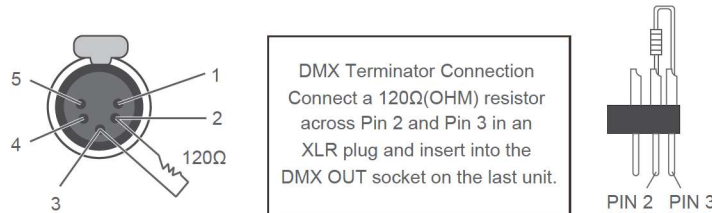
- The connection between the light fixture and DMX/RDM console, light fixture and light fixture should use five core shielded cable. Make sure its diameter is not less than 0.3mm. XLR plug/socket and the wire should be connected as pictured.
- Pin1, Pin2, Pin3 for connecting DMX signal. Pin4, Pin5 has no connection.
- ▲NOTE: When connecting DMX, make sure the internal pin is not in contact with the inner case. The fixture can match the DMX512 (1990) control signal.
- Plug of five-core and three-core XLR plug/socket conversion.

The fixture is supplied with five-core XLR plug. If using a three-core XLR plug, please follow the instructions below.



②DMX Terminator

In DMX control mode, the DMX output of the last fixture should be connected with a DMX terminator (Not included). This prevents interference caused by DMX signals in the transmitting process. The terminator is connected with a 120Ω(OHM) resistor across Pin 2 and Pin 3. (As shown below)



③Set the address of the fixture.

④Refer to the attached DMX reference guide and control the light via DMX/RDM console.

(For specific operation methods, please refer to the DMX/RDM console operation manual.)

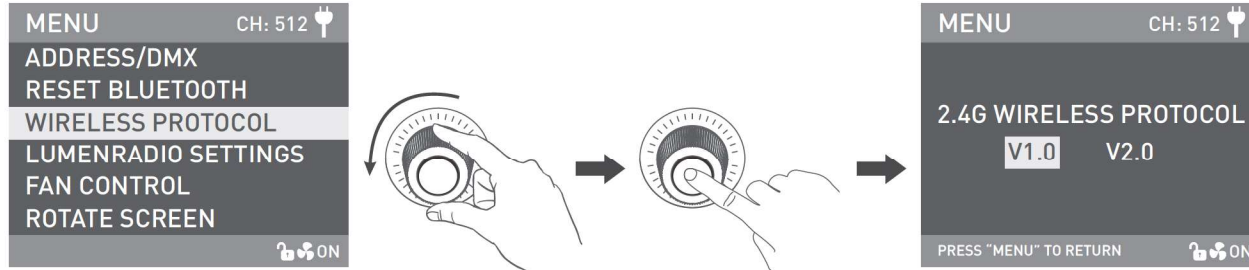
Note: DMX reference guide «Evoke 1200 DMX REFERENCE GUIDE» please download it from [www.nanlux.com](http://www.nanlux.com).

### 3. 2.4G Remote Control

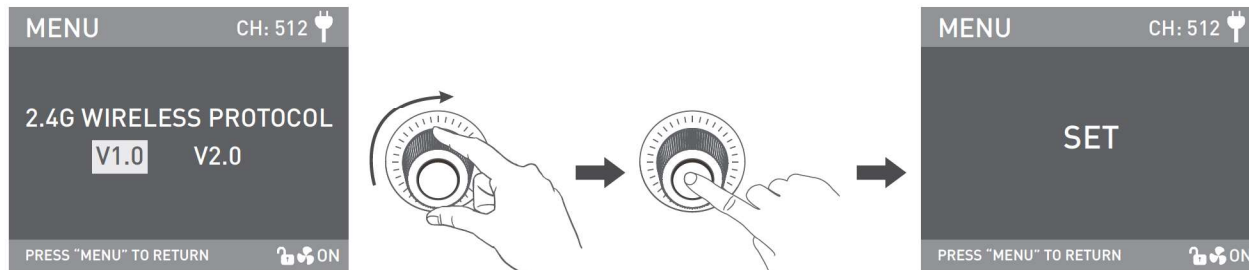
- Set the address of the 2.4G remote controller to be consistent with the light fixture, enabling the Evoke 1200 to be remotely controlled by 2.4G remote controller or by APP via the transmitter box.

Note: ①2.4G remote controller and transmitter box are sold separately.

②The fixture supports the 2.4G wireless protocol V1.0 and V2.0. Set fixture to V2.0 while using WS-RC-C1 or WS-RC-C2 remote controller. Set fixture to V1.0 while using other remote controllers.



Rotate "Right knob" to WIRELESS PROTOCOL, press "Right knob" to enter the corresponding secondary menu.



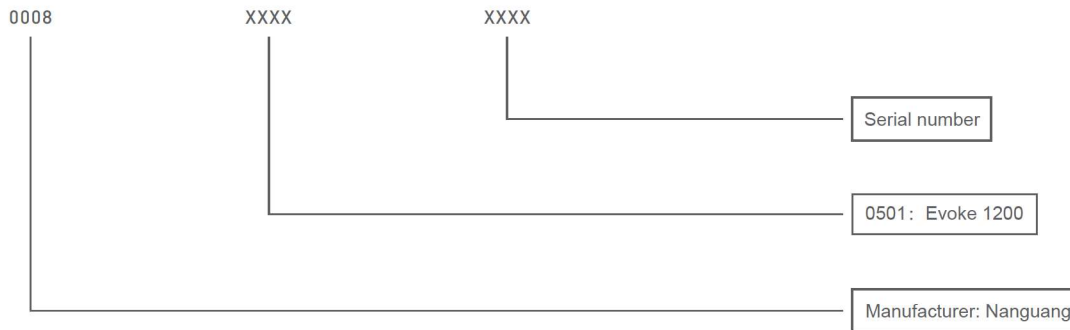
Rotate "Right knob" to select V1.0 or V2.0, press "Right knob" to set.

4. RDM Remote Control

① Connect the light fixture to the console with RDM function using a connection cable, the connection method is the same as with a DMX/RDM console.

② Control the fixture via a console with RDM function. (For specific operation methods, please refer to the RDM console operation manual.)

Note: The UID format of the fixture is as follows:



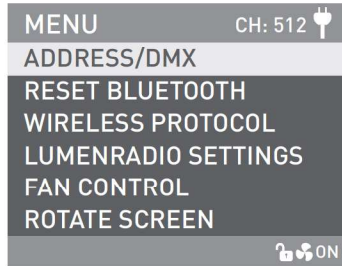
5. LUMENRADIO Remote Control

· Evoke 1200 has built-in CRMX TIMO TWO module, enabling it to receive CRMX wireless DMX signals. The Specific operation is as follows:

① RECEIVER MODE

(1) RECEIVER MODE setting

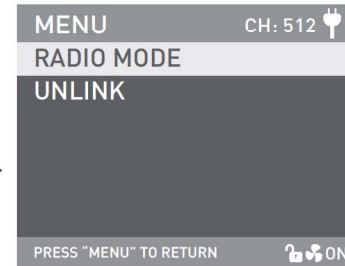
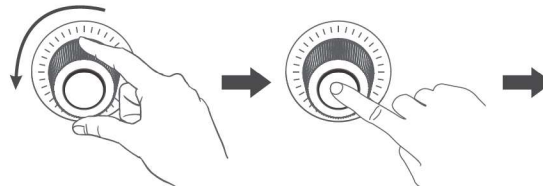
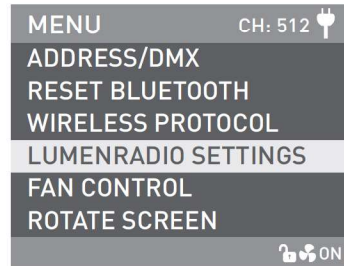
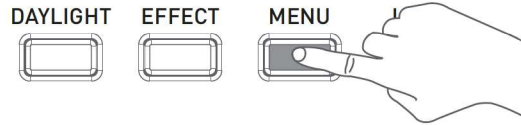
Press the MENU key to access options.



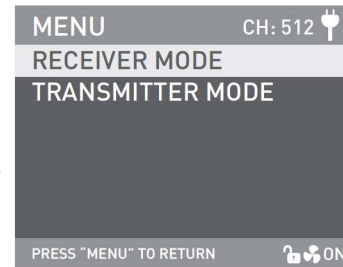
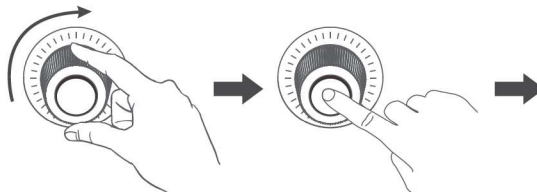
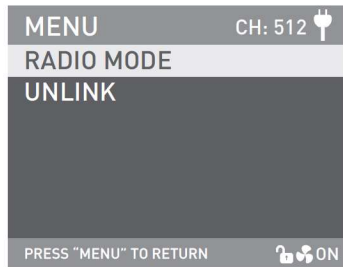
Left knob



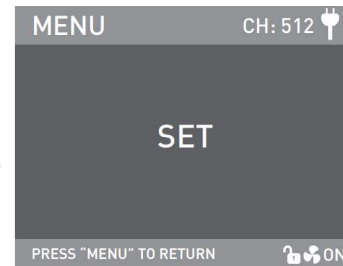
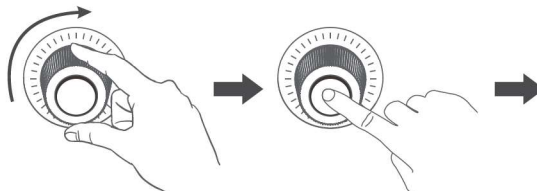
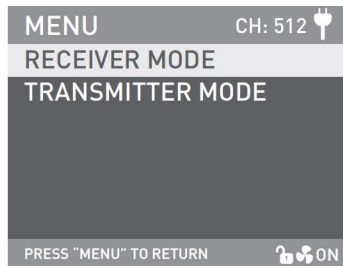
Right knob



Rotate "Right knob" to LUMENRADIO SETTINGS. Press "Right knob" to enter the corresponding secondary menu.

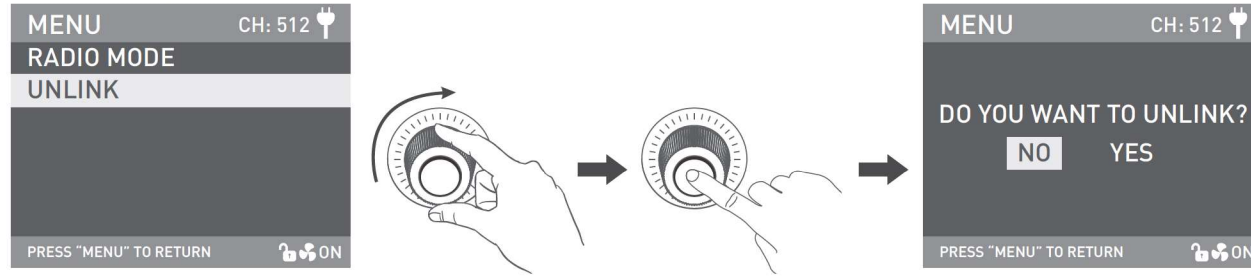


Rotate "Right knob" to RADIO MODE. Press "Right knob" to enter next menu.

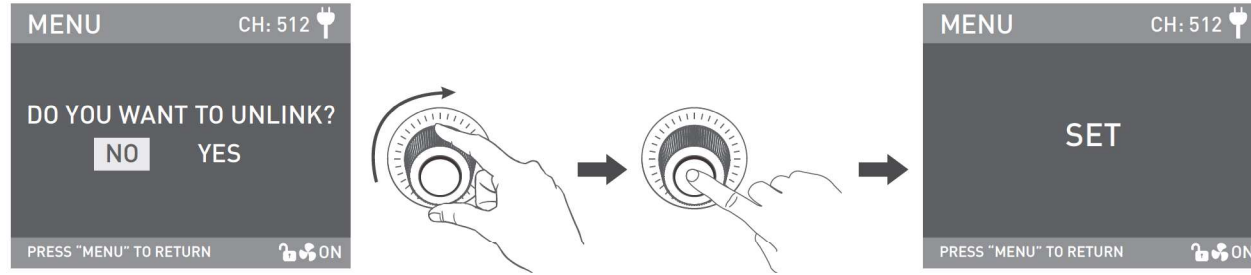


Rotate "Right knob" to select RECEIVER MODE. Press "Right knob" to set.

(2) UNLINK Setting



Rotate "Right knob" to UNLINK. Press "Right knob" to enter next menu.



Rotate "Right knob" to select "YES". Press "Right knob" to set.

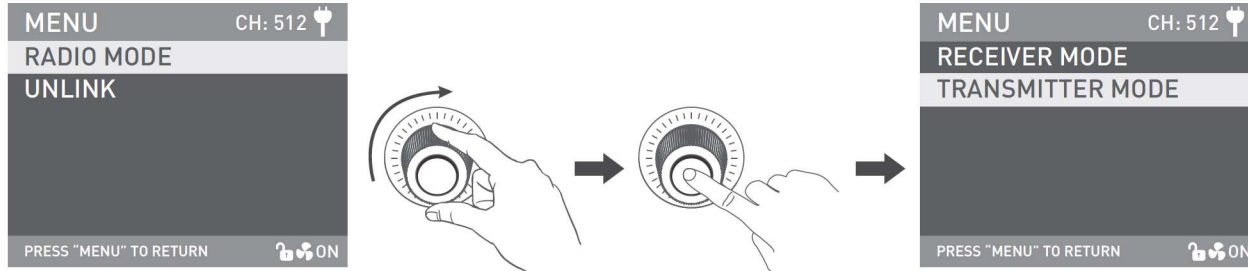
(3) Please refer to P24 of the manual or CRMX wireless DMX transmitter manual to connect the fixture or CRMX wireless DMX transmitter set to TRANSMITTER MODE with the fixture set to RECEIVER MODE, the fixture can receive CRMX wireless DMX signals for remote control.

Note: · CRMX wireless DMX transmitter is sold separately.

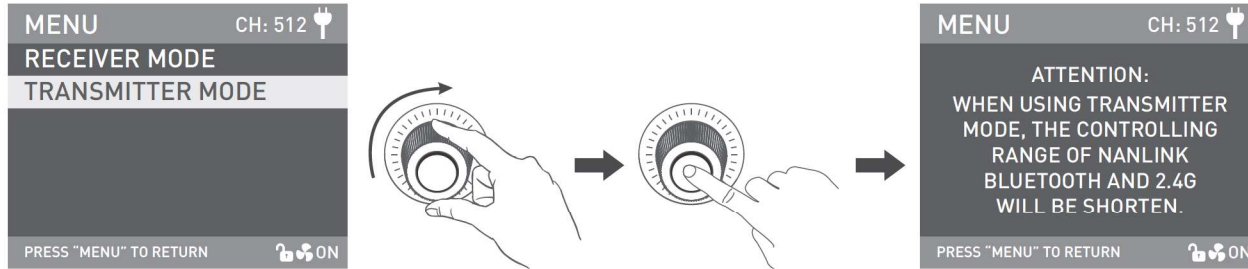
· In RECEIVER MODE, the LUMENRADIO SETTINGS should be set to UNLINK to allow it to be reconnected to new fixtures or transmitters.

② TRANSMITTER MODE

(1) Set the RADIO MODE to TRANSMITTER MODE and connect with the DMX/RDM console.



Rotate "Right knob" to RADIO MODE. Press "Right knob" to enter next menu.



Rotate "Right knob" to select TRANSMITTER MODE. Press "Right knob" to set.



(2) The fixture can set the RF OUTPUT POWER when in TRANSMITTER MODE. The setting methods is as follows:

The diagram illustrates the first step of setting the RF output power. On the left, a screen displays 'MENU CH: 512' at the top right, 'RADIO MODE' in the center, 'RF OUTPUT POWER' highlighted in a light grey bar, and 'LINK' below it. At the bottom, it says 'PRESS "MENU" TO RETURN' and has a lock icon and 'ON'. An arrow points to a hand rotating a circular knob clockwise. A second arrow points to a hand pressing the center of the knob. A final arrow points to a screen where '20dBm' is highlighted, with '16dBm', '11dBm', and '5dBm' listed below. The bottom of this screen also says 'PRESS "MENU" TO RETURN' with the lock icon and 'ON'.

Rotate "Right knob" to OUTPUT POWER. Press "Right knob" to enter the next menu.

The diagram illustrates the second step of setting the RF output power. On the left, a screen displays 'MENU CH: 512' at the top right, '20dBm' highlighted in a light grey bar, and '16dBm', '11dBm', and '5dBm' listed below. At the bottom, it says 'PRESS "MENU" TO RETURN' and has a lock icon and 'ON'. An arrow points to a hand rotating a circular knob clockwise. A second arrow points to a hand pressing the center of the knob. A final arrow points to a screen where the word 'SET' is displayed in large white letters in the center. The bottom of this screen also says 'PRESS "MENU" TO RETURN' with the lock icon and 'ON'.

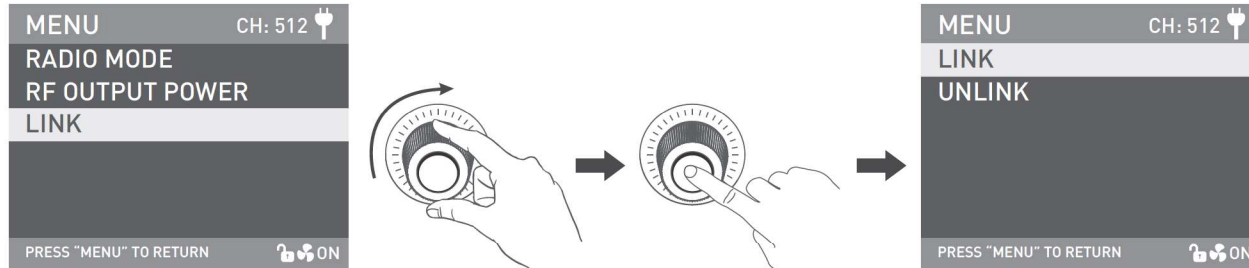
Rotate "Right knob" to select the desired RF OUTPUT POWER. Press "Right knob" to set.

(3) Set other fixtures that need to receive CRMX wireless DMX signals to RECEIVER MODE and set to UNLINK. (For setting method, please refer to P19.)

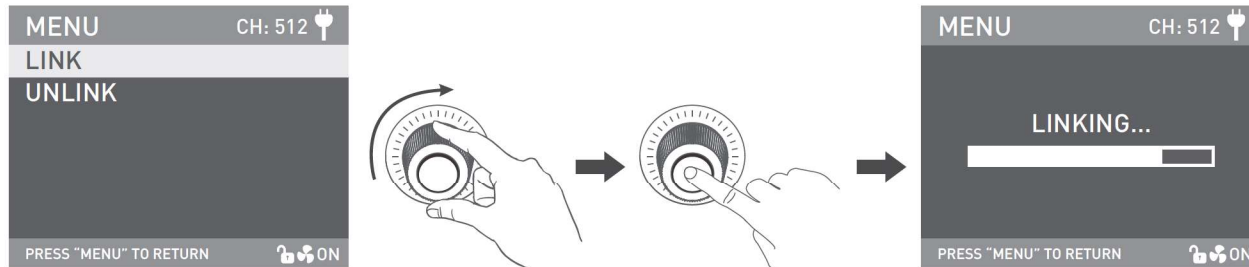
(4) Connect the fixture set in TRANSMITTER MODE with the fixture set in RECEIVER MODE.

When in TRANSMITTER MODE, the signal from the DMX/RDM console or DMX-based APP will be sent to the fixtures set to RECEIVER MODE.

The fixtures set to RECEIVER MODE should be set as follows:



Rotate "Right knob" to LINK. Press "Right knob" to enter the next menu.



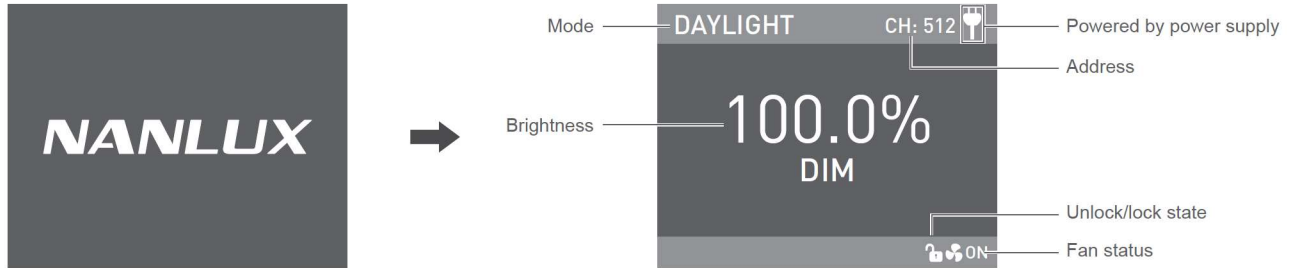
Rotate "Right knob" to select LINK. Press "Right knob" to set.

(5) UNLINK Setting

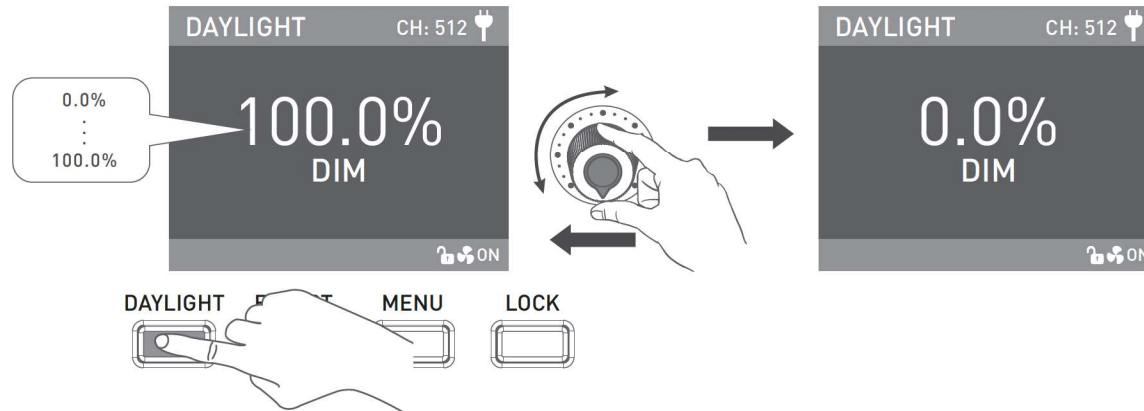
When the fixture needs to stop transmitting the CRMX wireless DMX signal, set the fixture to UNLINK. The setting method is the same as the UNLINK setting on P23.

## Operating Instructions

1. First, be sure that the power switch of the control unit is in the "off" position. Now it is safe to connect the power supply and power the unit on. If the power indicator is on that means the power supply is normal, the screen will display "NANLUX".

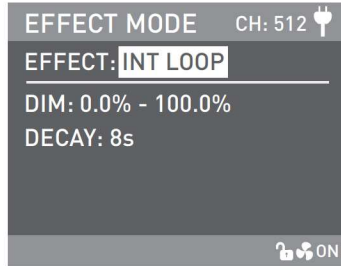


- ① DAYLIGHT Key: Press the DAYLIGHT key to enter the DAYLIGHT MODE, rotate the "Left knob", clockwise to increase brightness while counterclockwise to reduce the brightness. The screen shows the percentage of brightness, DIM range: 0.0-100.0%.



Note: In other modes, the brightness adjustment range is the same as in DAYLIGHT mode. When the fixture function is unlock, in any mode, press the "Left knob", the light is off, the brightness percentage on the display is 0.0%. Press the "Left knob" again, the fixture restores the previous status. Press the "Left knob" continuously to switch brightness between on and off.

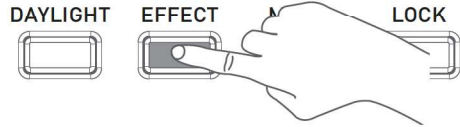
2. EFFECT Key: Press the EFFECT key to enter EFFECT MODE.



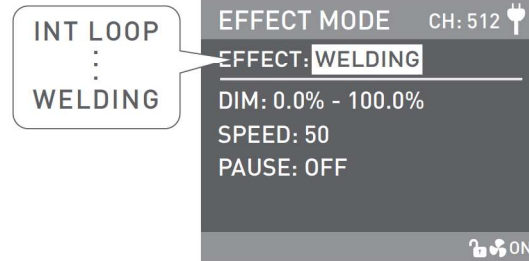
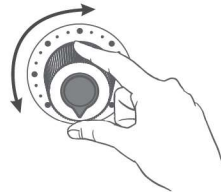
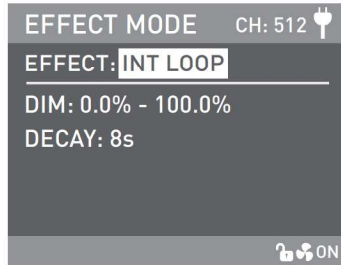
Left knob



Right knob



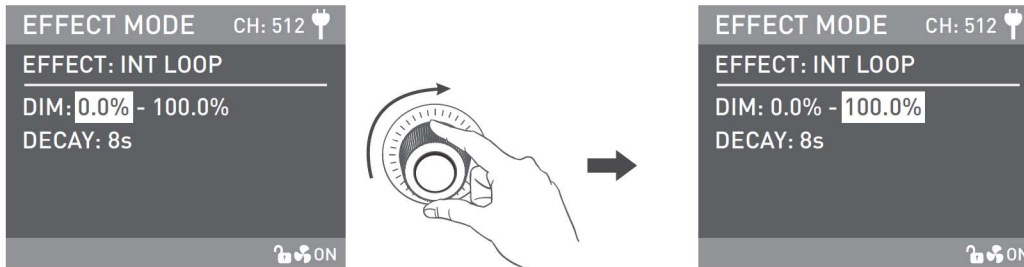
- Evoke 1200 has built-in effects including: INT LOOP, FLASH, PULSE, STORM AUTO, STORM MANUAL, TV, PAPARAZZI, CANDLE/FIRE, BAD BULB, FIREWORK, EXPLOSION AUTO, EXPLOSION MANUAL and WELDING.



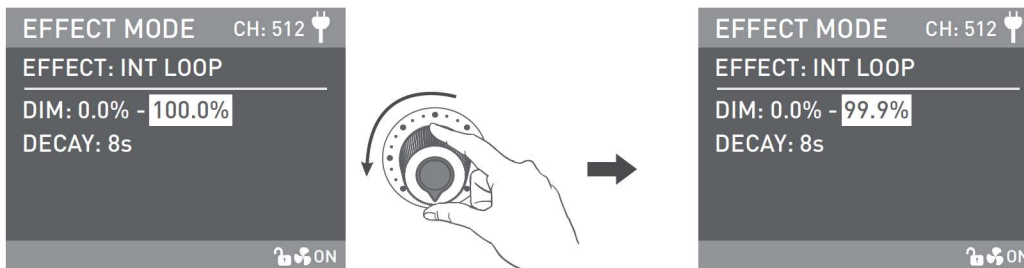
Rotate "Right knob" to select the desired special effect. Press "Right knob" to set.

① INT LOOP

For INT LOOP settings, rotate "Right knob" to select DIM and SPEED (Range: 2S-30S), then rotate "Left knob" to set the corresponding parameters.



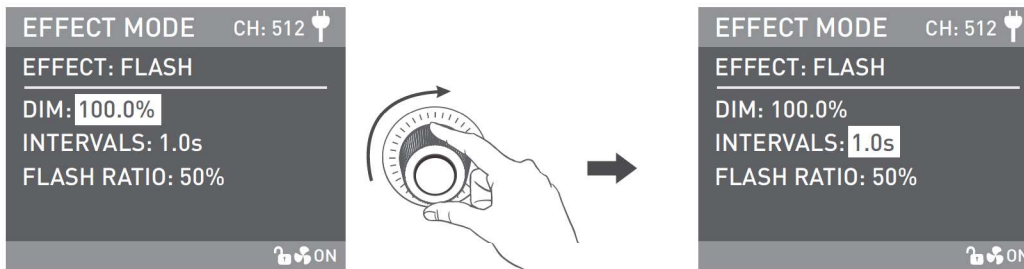
Rotate "Right knob" to select DIM and SPEED.



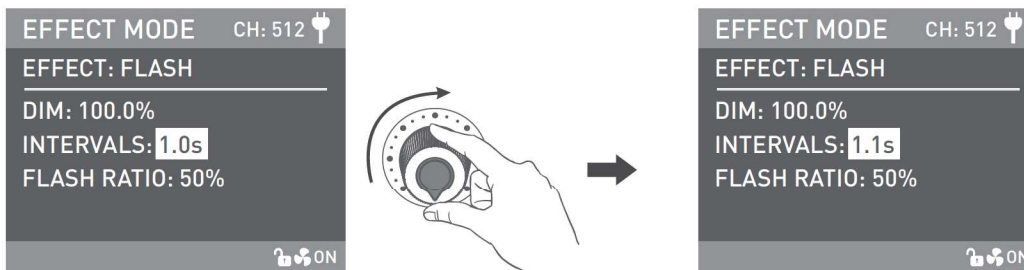
Rotate "Left knob" to set the corresponding parameters.

②FLASH

For FLASH settings, rotate "Right knob" to select DIM, INTERVALS (Range: 0.1s-10.0s) and FLASH RATIO (Range: 0% -100%), then rotate "Left knob" to set the corresponding parameters.



Rotate "Right knob" to select DIM, INTERVALS and FLASH RATIO.



Rotate "Left knob" to set the corresponding parameters.