

DROP OUTLINE FOR PRINTING

## SPECIFICATIONS

### 1. REQUIREMENTS:

- 1.1 Material Type: F200 Polyester
- 1.2 Adhesive: 3M 467 on Rear
- 1.3 Color
  - Base: White
  - Nomenclature: Black
- 1.4 Finish: As supplier
- 1.5 Label size: 50 x 25 mm
- 1.6 Package type:
  - Any carrier format (i.e. roll, sheet, or individual which will ensure that the labels arrive undamaged and with the applied adhesive intact.
- 1.7 Tooling: Top Cut

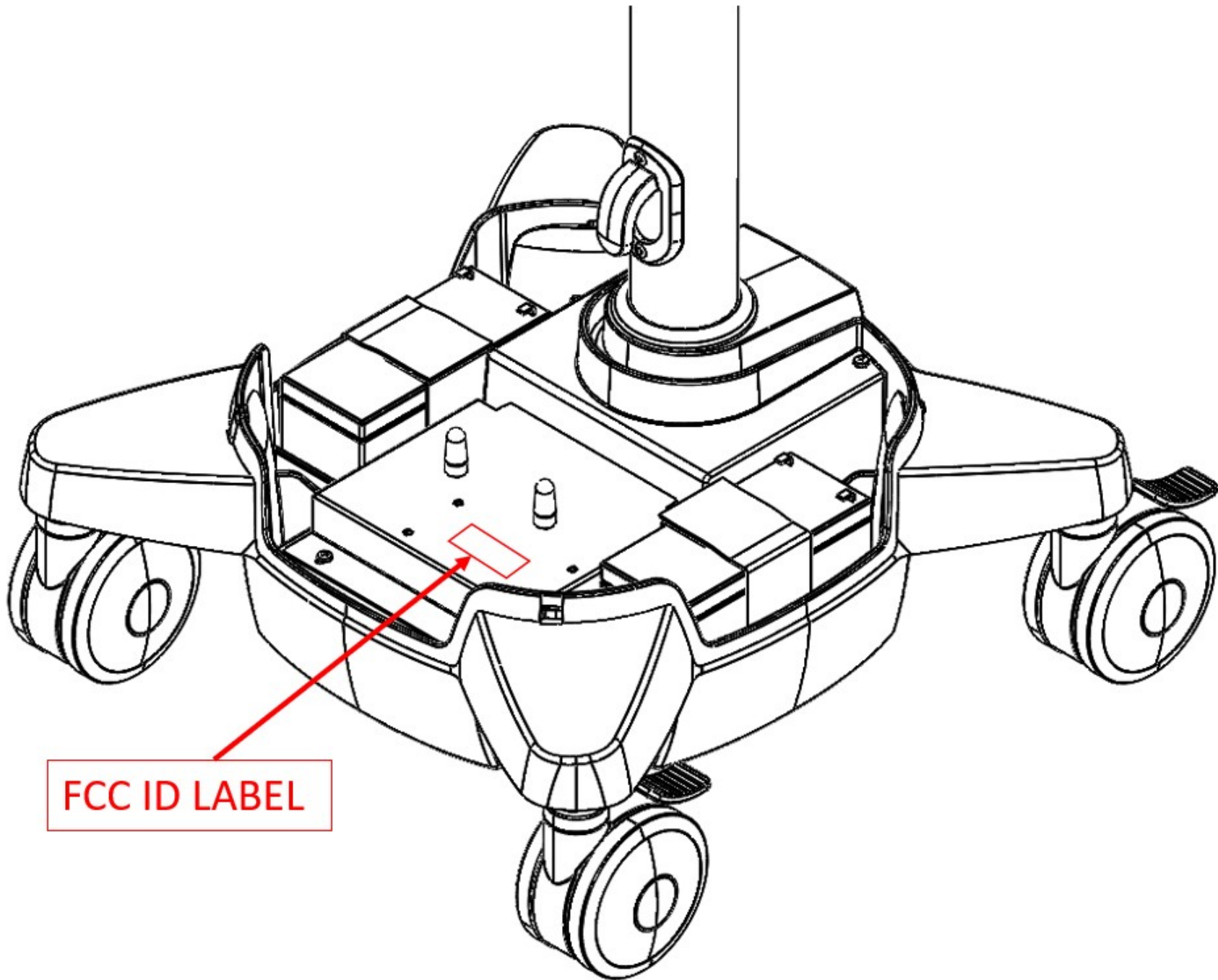
### 2. SPECIAL CONSIDERATIONS:

U.L. Material recognition required  
All materials shall be in accordance with hazardous substances procedure DN-213913

### 3. CERTIFICATION:

Not required

DRAWN BY <b>J. HUANG</b>		DATE <b>26/08/2021</b>
DO NOT SCALE DRAWING	Unless Otherwise Specified Dimensions are in mm  General Tolerance ±0.127mm	All technical information, equipment design and application data contained within this document is the CONFIDENTIAL property of IMAXEON P/L. No use or disclosure thereof may be made without written permission from IMAXEON P/L
<b>IMAXEON Pty. Ltd.</b> Unit 1, 38-46 South Street, Rydelmere NSW 2116 Australia		
TITLE  <b>DC130 FCC Label</b>		
SIZE <b>A4</b>	DWG NUMBER <b>HL04114</b>	REV <b>A</b>
SCALE: 100%	DATE COPIED: N/A	SHEET 1 OF 1



FCC ID LABEL