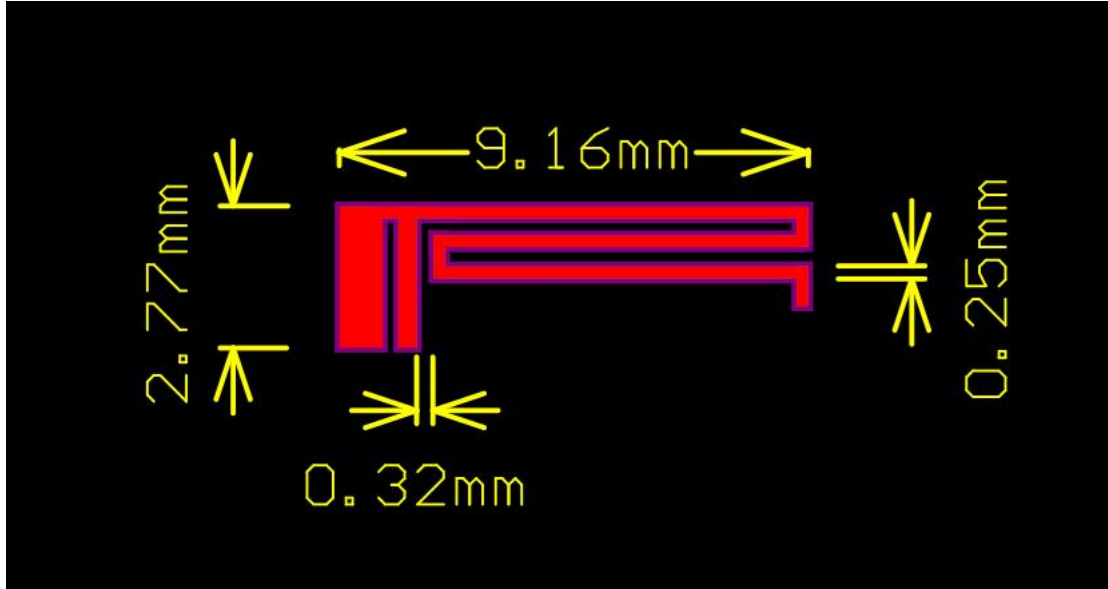


- Normal Dongle PIFA antenna design specification:

This PIFA antenna is used in normal dongle with whole layout board which size is 9.16mm*2.77mm and thickness is 1.0mm (FR4)



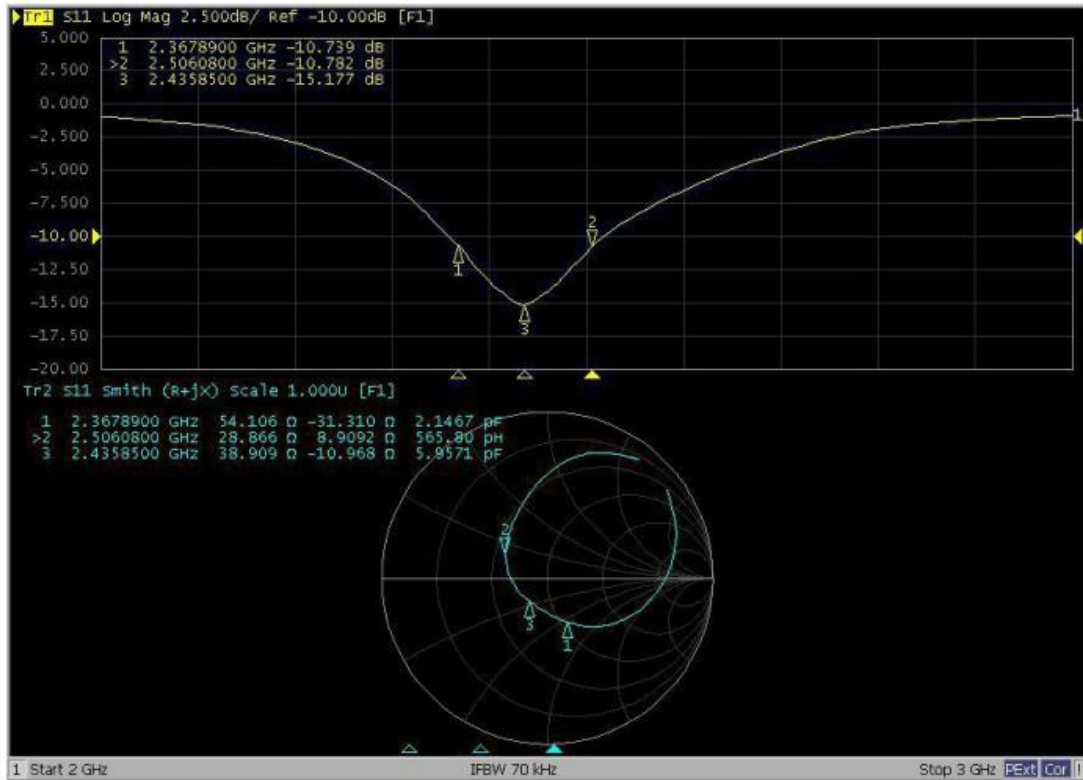
2-1 Normal Dongle PIFA

Antenna

The performance of S11 as blow show and the working frequency band cover 2.4G ISM and bandwidth is wider than nano dongle.

Manufacturer:SHENZHEN R-WATSON TECHNOLOGY CO.,LTD

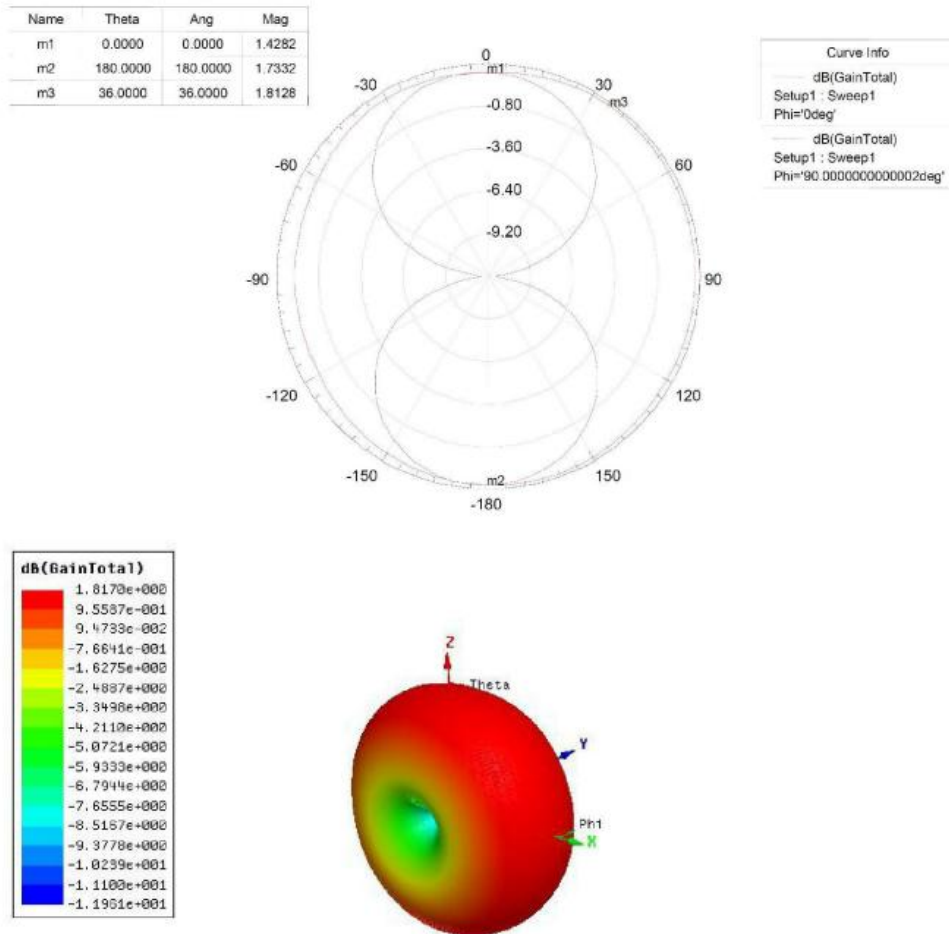
Address:No. 68 Jiuwei 1st Road, Jiuwei Community, Hangcheng Street, Bao'an District, Shenzhen



2-2 Normal Dongle PIFA S11 performance

The gain of this antenna 2D and 3D as blow show and the maximum gain is about 1.5dB.

The gain of this antenna 2D and 3D as blow show and the maximum gain is about 1.5dB.



Radiation Patterns(GAIN @ 2440MHz)

Plane	XY			XZ			YZ		
	2400	2440	2480	2400	2440	2480	2400	2440	2480
Peak Gain(dBi)	1.70	1.73	1.71	1.79	1.81	1.78	1.71	1.73	1.72

2-3 Normal Dongle PIFA gain