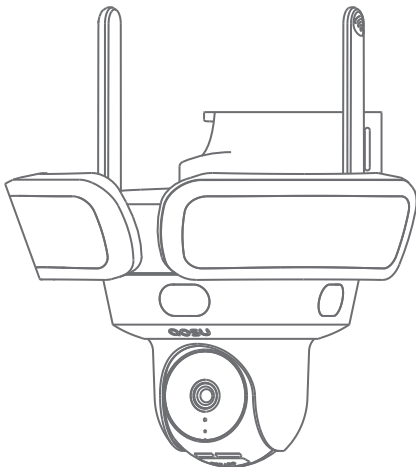


AOSU

3K Ultra HD Security Floodlight Camera

Floodlight Cam Pro

Quick Start Guide



☎ United States: +1-866-905-9950 Mon-Fri 9AM-5PM(PST)
United Kingdom: +44-20-3885-0830 Mon-Fri 9AM-5PM(GMT)
Germany: +49-32-221094692 Mon-Fri 9AM-5PM(CET)
Japan: +81-50-5840-2601 Mon-Fri 9AM-5PM (JST)

✉ support@aosulife.com 🌐 www.aosulife.com 📺 @aosulife

AOSUCare

Hi Customer

Thank you for choosing AOSU security products. We have always put our customers first and foremost.

There are 3 things you should know before using this product:

1. Micro SD Card

If you don't have a Micro SD Card available at home now and don't want to spend extra time choosing one, please contact us directly.

TIP: the Micro SD Card gotta be formatted after inserting it up.

2. Select 2.4G Wi-Fi

The product only supports 2.4G Wi-Fi, please select 2.4G Wi-Fi when setting up the app.

3. Select installation location.

Please use your mobile phone to test the coverage of the home Wi-Fi signal at the planned installation position before installation, so that the product can receive a better signal.

Get all the tutorial videos of using product including but no limit to set up the app, installation and format micro sd card, **visit:**

aosulife.com

Join "AOSUCare" today as three ways below to get all of your

problems solved by one-on-one live chat and phone service tech support.



United States: +1-866-905-9950 Mon-Fri 9AM-5PM (PST)

United Kingdom: +44-20-3885-0830 Mon-Fri 9AM-5PM (GMT)

Germany: +49-32-221094692 Mon-Fri 9AM-5PM (CET)

Japan: +81-50-5840-2601 Mon-Fri 9AM-5PM (JST)



support@aosulife.com



www.aosulife.com



@aosulife

TABLE OF CONTENTS

01	Safety Instructions	P01
02	What's Included	P02
03	Product Overview	P03
04	Setting Up the Floodlight Cam Pro	P04
05	Preparing Floodlight Cam Pro for Installation	P05-P06
06	Mounting Your Floodlight Cam Pro	P07-P15
07	Adjusting the Lighting Angle	P16
08	Notice	P17-P19
09	Customer Service	P20

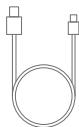
Safety Instructions

- Disconnect power at the fuse or circuit breaker before installing.
- Do not install the product near flammable surfaces.
- To avoid risk of shock, injury or death, always be cautious when working with electricity.
- Consult a licensed electrician if you are uncomfortable working with electrical wiring.
- Make sure the Floodlight Camera is properly grounded.
- Floodlight Camera must be installed on a wall and on a UL-listed junction box.

What's Included



aosu Floodlight Cam Pro (L5P2CA11) x 1



Type-C Power Card x 1



Mounting Plate x 1



Mounting Plate Screws x 4



Mounting Base x 1



Installation Hook & String x 1



Wire Nuts x 3



Base Screws x 4



Central Screw x 1



Mounting Plate Ground Screw x 1



Central Screw Cap x 1



Security Sticker x 1

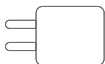


User Manual x 1

Required (not included)



Crosshead Screwdriver

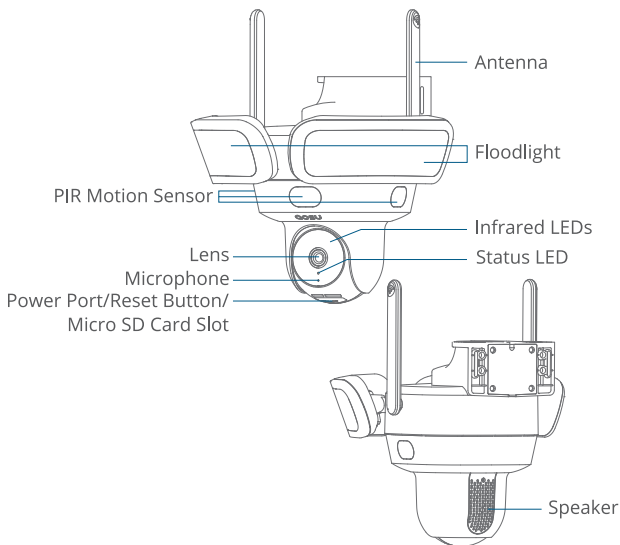


USB Power Adapter(5V/1A)



Power Drill(15/64 mm)

Product overview



CAUTION: Please insert the Micro SD Card according to the direction shown in the diagram. Micro SD Card might JAM if inserted incorrectly and device could be damaged.

Micro SD Card Port: Support Micro SD Card for local storage (Max 128GB).

Reset button: Press and hold the button for 3 seconds, and then the device will be ready to be connected.

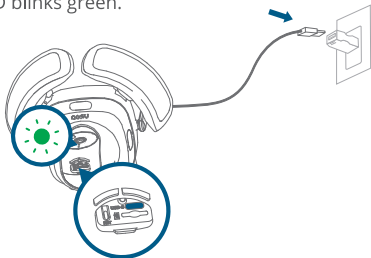
Card capacity requirements: 8-128GB.

Read and write speed requirements: class10 level.

File format: FAT32.

Setting Up the Floodlight Cam Pro

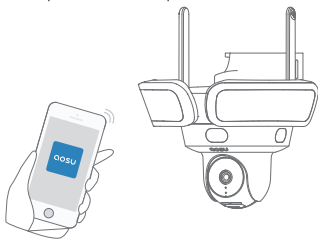
1. Put your Floodlight Camera Pro in the direction as illustrated on a table, and open the type-c port cover. Connect the device to a power source inside your home using the type-c power card and a power adapter (5V/1A, not provided). Wait 1 minute or until the status LED blinks green.



2. Download the Aosu App from the App Store (iOS devices) or Google Play (Android devices).



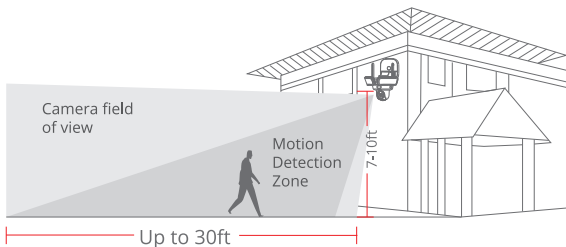
3. Sign up for an Aosu App account, then follow the onscreen instructions to complete the setup.



Preparing Floodlight Cam Pro for Installation

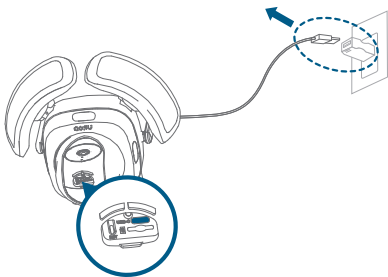
Select Height and location

Hang Camera 7-10ft (2-3 m) above the ground. This height maximizes the detection range of the motion sensor of Camera. Avoid placing Camera under direct sunlight.



Turn Off Power to Home and Floodlight Camera Pro together;

1. Unplug the power adapter. Close the mounting base and USB port cover.



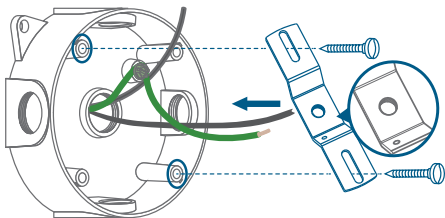
2. Shut down the circuit breaker in your house. Switch on/off the lights to make sure the electricity in your house is properly shut off.



⚠ To avoid risk of shock, injury or death, always be cautious when working with electricity.

Install the Mounting Plate

1. Remove the previous Floodlight or Floodlight Camera from the junction box and install the mounting plate.

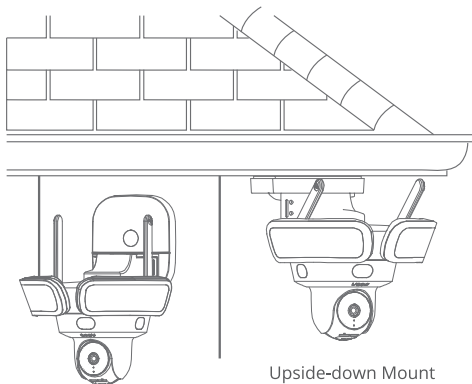


⚠ The concaved side of the mounting plate must face outwards.

Mounting Your Floodlight Cam Pro

Choosing the Product's Installation Method

You can hang Floodlight Cam Pro or install it vertically on the wall. Select the installation method that best suits the position of your junction box.



Wall Mount

Upside-down Mount

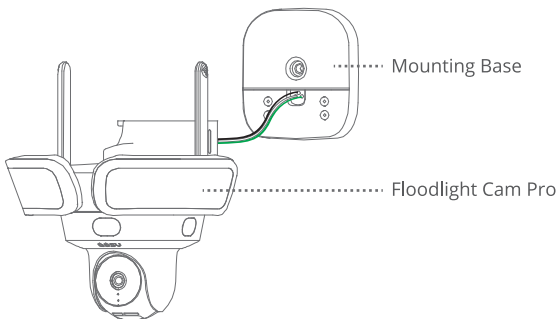
Instructions for Mounting Base Installation

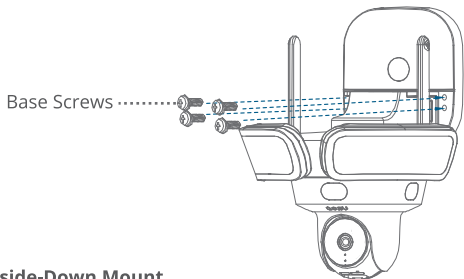
1. Start by determining whether the Floodlight Cam Pro is suspended from the ceiling or mounted on the wall.
2. Thread the tail wire of the Floodlight Cam Pro through the three holes in the middle of the mounting base.
3. Use the base screws on the mounting base to securely fasten the Mounting base and the Floodlight Cam Pro together.

What is required:

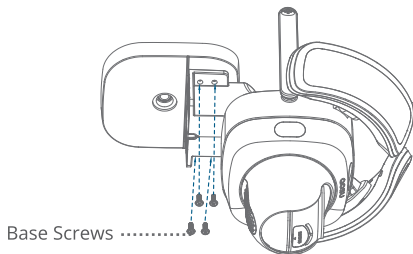
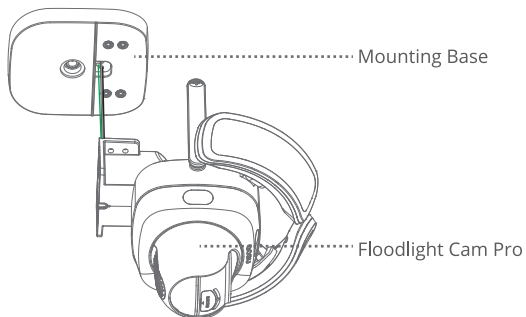


Wall Mount





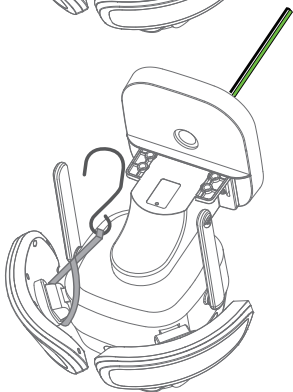
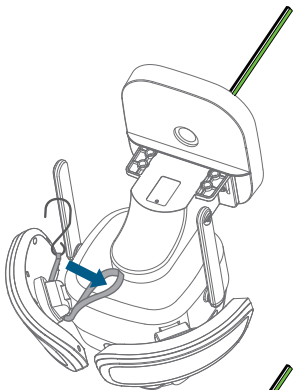
Upside-Down Mount



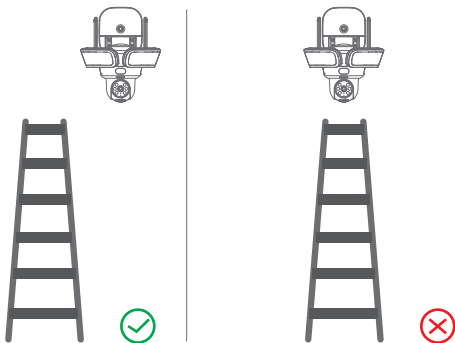
Mount Floodlight Cam Pro onto a Wall

STEP 1. Before Mounting

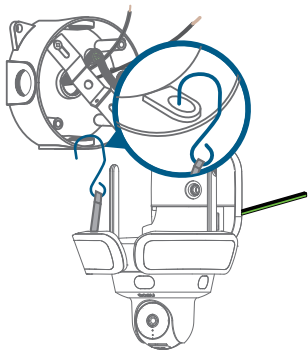
1. Pass the hook through the other end of the string as illustrated.



2. You need a ladder to mount your Floodlight Cam Pro on the wall. Make sure you do not place your ladder right under the Floodlight Cam Pro. Place it to the lower left or right of the Floodlight Cam Pro as illustrated below to avoid obstructing your view while mounting.

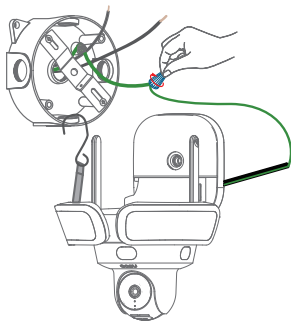
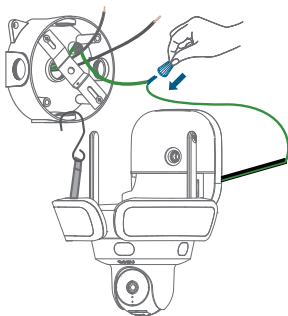
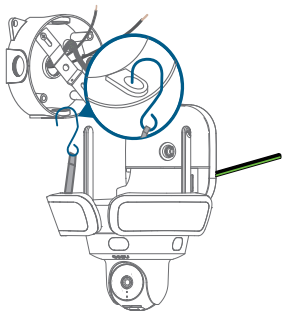


3. Hang your Floodlight Cam Pro on the junction box with the hook provided.

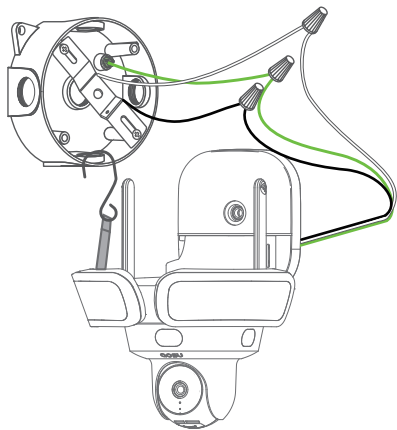


STEP 2. Connect Wires

1. Connect both ground wires (yellow or green) from the junction box and Floodlight Cam Pro and join the wires by using a wire nut. If the existing ground wire has been connected to the junction box or there is no ground wire, connect the ground wire of the Floodlight Cam Pro to the junction box or mounting plate directly.



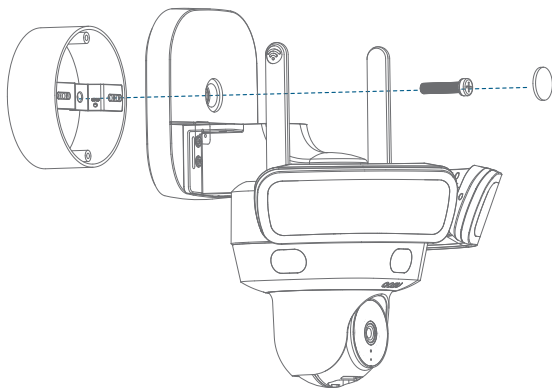
2. Use wire nuts to connect the Floodlight Cam Pro wires to the rest of the wires from the junction box. Connect the white wire on the Floodlight Cam Pro to the white wire (neutral) from the junction box. Connect the black wire on the Floodlight Cam Pro to the black wire (hot) from the junction box.



ⓘ To avoid risk of shock, injury or death, always be cautious when working with electricity. Remember, do hire a professional electrician if you're uncomfortable working with electrical wiring.

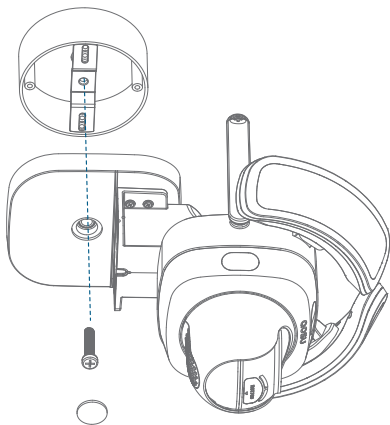
STEP 3. Mount the Floodlight Cam Pro

1. Remove the hook.
2. Hold the mounting base, and insert the central screw through the center of the mounting base and screw it tightly.
3. Use the central screw cap to cover the central screw to prevent it from rusting.
4. Adjust the angle as mentioned in the section "Adjusting the Lighting Angle" to get the best view.
5. Remove the film on the Floodlight. Cam Pro.
6. Switch on the main circuit breaker in the house.



Mount Floodlight Cam Pro on the Ceiling

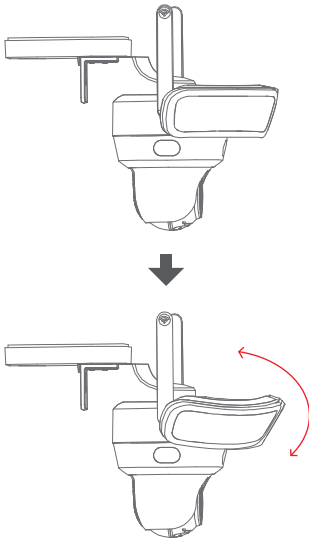
1. Follow steps mentioned in the section “Mount Floodlight Cam Pro onto a Wall” to choose the place for mounting and connect wires.
2. Insert the central screw through the center of the mounting base and screw it tightly.
3. Use the central screw cap to cover the central screw to prevent it from rusting.
4. Adjust the angle as mentioned in the section “Adjusting the Lighting Angle” to get the best view.
5. Remove the film on the Floodlight Cam Pro.
6. Switch on the main circuit breaker in the house.



ⓘ In case Floodlight Camera is not powered on, switch off the circuit breaker before checking the wiring of Floodlight Camera. To avoid risk of shock, injury or death, always be cautious when working with electricity. Remember, do hire a professional electrician if you're uncomfortable working with electrical wiring.

Adjusting the Lighting Angle

1. Manually pull down the Floodlight on the side.



i To check whether Floodlight Camera is operating, confirm the LED indicator has turned solid blue.

i If the Floodlight Cam Pro LED keeps blinking blue. Please make sure the Wi-Fi signal is strong at the desired location. You may consider moving the wireless router closer to Floodlight Camera or using a Wi-Fi range extender.

Notice

FCC Statement

This device complies with Part 15 of the FCC Rules. Operation is subject to the following two conditions: (1) this device may not cause harmful interference, and (2) this device must accept any interference received, including interference that may cause undesired operation.

Warning: Changes or modifications not expressly approved by the party responsible for compliance could void the user's authority to operate the equipment. Note: This equipment has been tested and found to comply with the limits for a Class B digital device, pursuant to Part 15 of the FCC Rules. These limits are designed to provide reasonable protection against harmful interference in a residential installation.

This equipment generates uses and can radiate radio frequency energy and, if not installed and used in accordance with the instructions, may cause harmful interference to radio communications. However, there is no guarantee that interference will not occur in a particular installation. If this equipment does cause harmful interference to radio or television reception, which can be determined by turning the equipment off and on, the user is encouraged to try to correct the interference by one or more of the following measures: (1) Reorient or relocate the receiving antenna. (2) Increase the separation between the equipment and receiver. (3) Connect the equipment into an outlet on a circuit different from that to which the receiver is connected. (4) Consult the dealer or an experienced radio/TV technician for help.

FCC Radio Frequency Exposure Statement

The device has been evaluated to meet general RF exposure requirements.

The device can be used in fixed/mobile exposure condition. The min separation distance is 20cm.

IC Statement

This device contains licence-exempt transmitter(s)/receiver(s) that comply with Innovation, Science and Economic Development Canada's licence-exempt RSS(s). Operation is subject to the following two conditions:

- (1) This device may not cause interference.
- (2) This device must accept any interference, including interference that may cause undesired operation of the device.

L'émetteur/récepteur exempt de licence contenu dans le présent appareil est conforme aux CNR d'Innovation, Sciences et Développement économique Canada applicables aux appareils radio exempts de licence. L'exploitation est autorisée aux deux conditions suivantes :

- (1) L'appareil ne doit pas produire de brouillage;
- (2) L'appareil doit accepter tout brouillage radioélectrique subi, même si le brouillage est susceptible d'en compromettre le fonctionnement.

IC RF Statement

This equipment complies with IC RSS - 102 radiation exposure limits set forth for an uncontrolled environment. This equipment should be installed and operated with minimum distance 20cm between the radiator and your body.

Cet équipement est conforme aux limites d'exposition aux radiations IC CNR - 102 établies pour un environnement non contrôlé. Cet équipement doit être installé et utilisé avec une distance minimale de 20 cm entre le radiateur et votre corps.



This product complies with the radio interference requirements of the European Community.

Declaration of Conformity

Hereby, Aosu declares that this device is in compliance with the essential requirements and other relevant provisions of Directive 2014/53/EU.

For the declaration of conformity, visit the Web site:<https://www.aosulife.com>.

This product can be used across EU member states.

Do not use the Device in the environment at too high or too low temperature, never expose the Device under strong sunshine or too wet environment.

The suitable temperature for Camera and accessories is -20°C—50°C.

RF exposure information: The Maximum Permissible Exposure (MPE) level has been calculated based on a distance of $d=20$ cm between the device and the human body. To maintain compliance with RF exposure requirement, use product that maintain a 20cm distance between the device and human body.

For Camera : Wi-Fi Operating Frequency Range: 2412~2472MHz ;
Wi-Fi Max Output Power: 17.13dBm(EIRP)



This product is designed and manufactured with high quality materials and components, which can be recycled and reused.



This symbol means the product must not be discarded as household waste, and should be delivered to an appropriate collection facility for recycling. Proper disposal and recycling helps protect natural resources, human health and the environment. For more information on disposal and recycling of this product, contact your local municipality, disposal service, or the shop where you bought this product.

Customer Service

Warranty

12-month limited warranty(The actual warranty period shall be implemented according to the requirements of local laws and regulations)

Email Us

Customer Support: support@aosulife.com

Call Us

United States: +1-866-905-9950 Mon-Fri 9AM-5PM(PST)

United Kingdom: +44-20-3885-0830 Mon-Fri 9AM-5PM(GMT)

Germany: +49-32-221094692 Mon-Fri 9AM-5PM(CET)

Japan: +81-50-5840-2601 Mon-Fri 9AM-5PM (JST)



Facebook: @aosulife



Twitter: @aosulife



YouTube: @aosulife

nosu