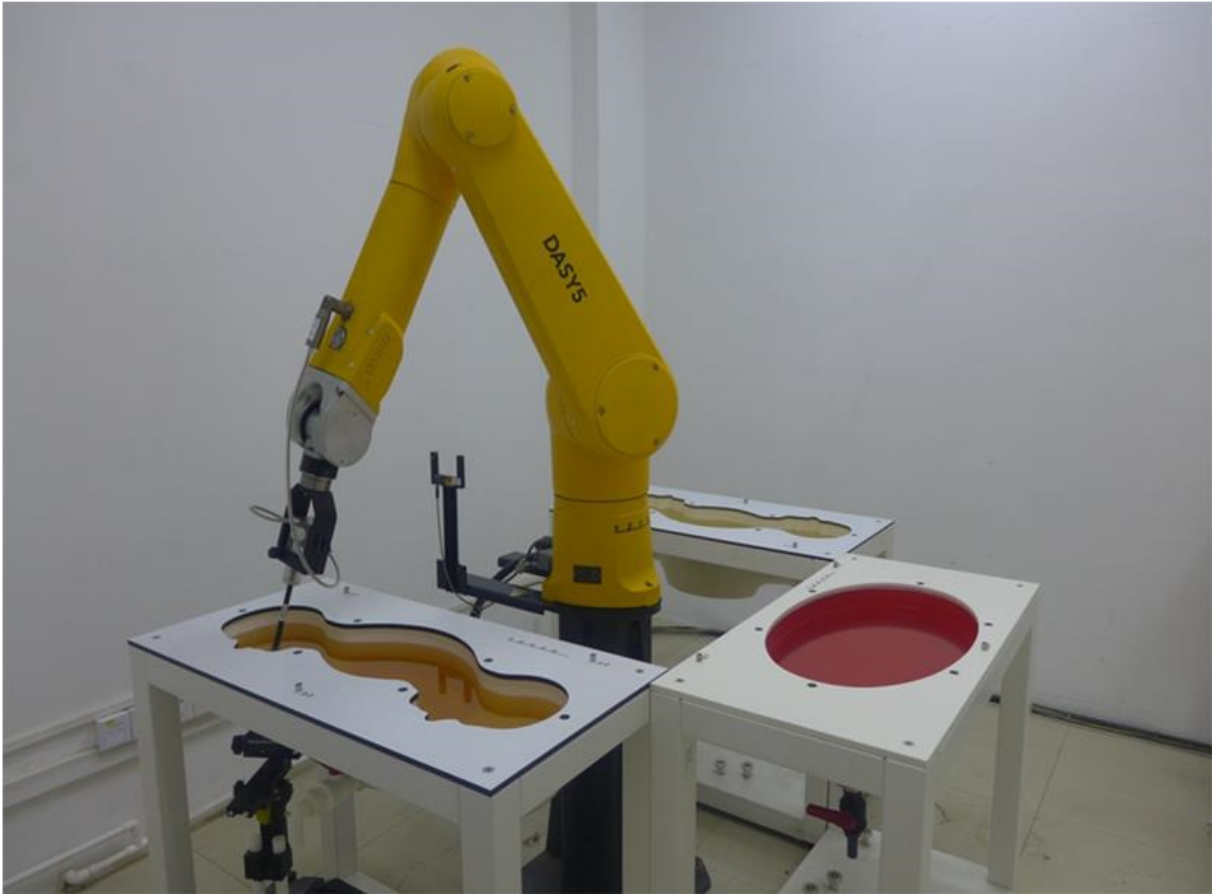


Appendix D

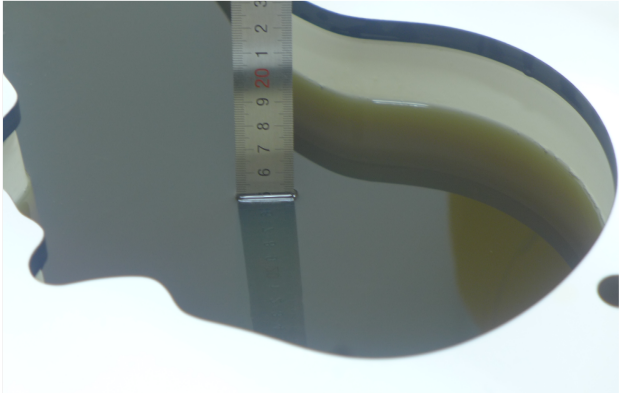
Photographs

1. SAR measurement System
2. Photographs of Tissue Simulate Liquid
3. Photographs of EUT test position
4. Antenna Location
5. EUT Constructional Details

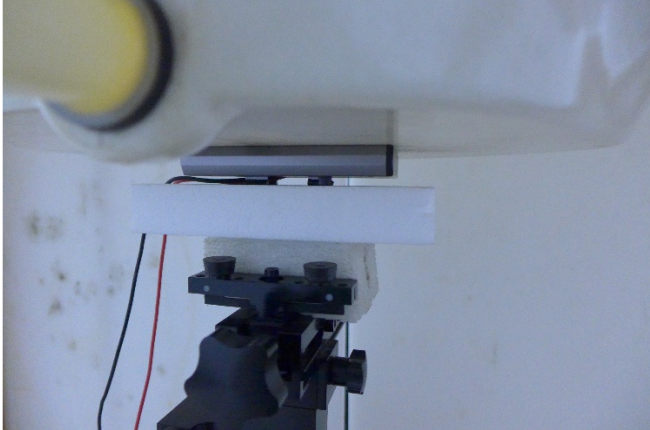
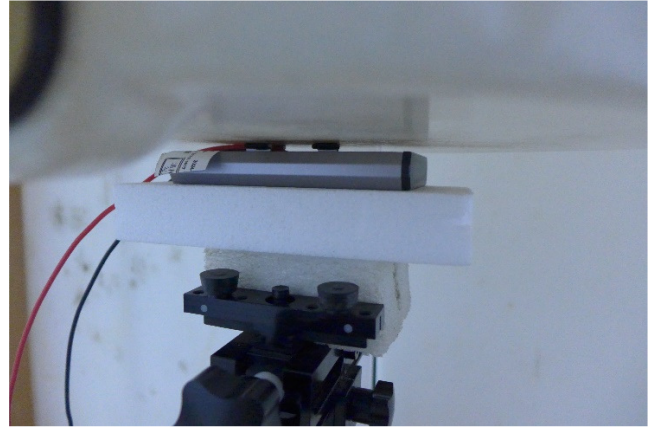

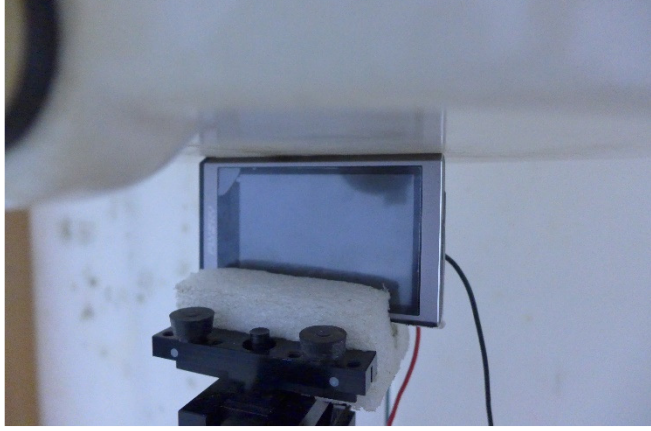


1. SAR measurement System



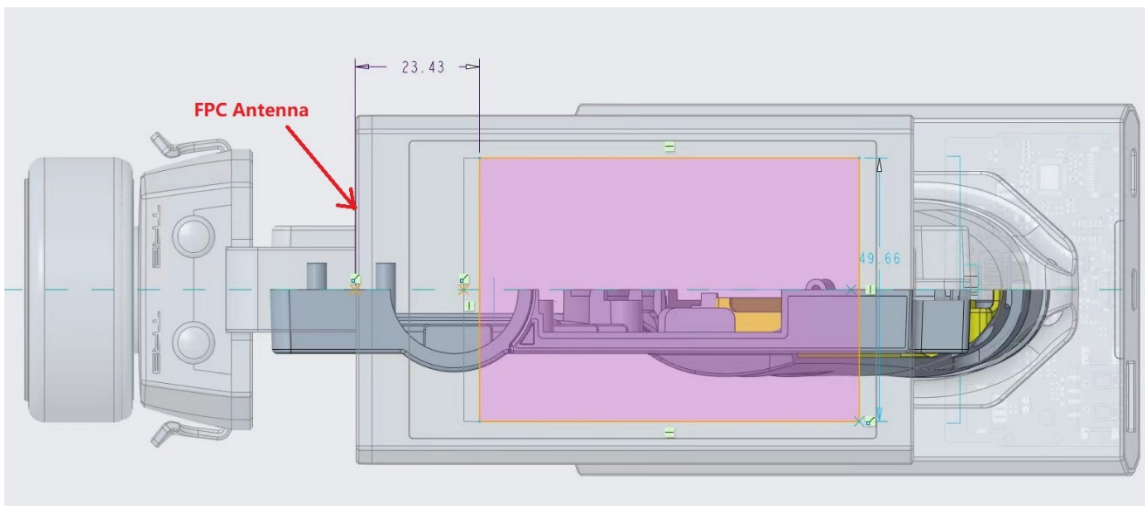
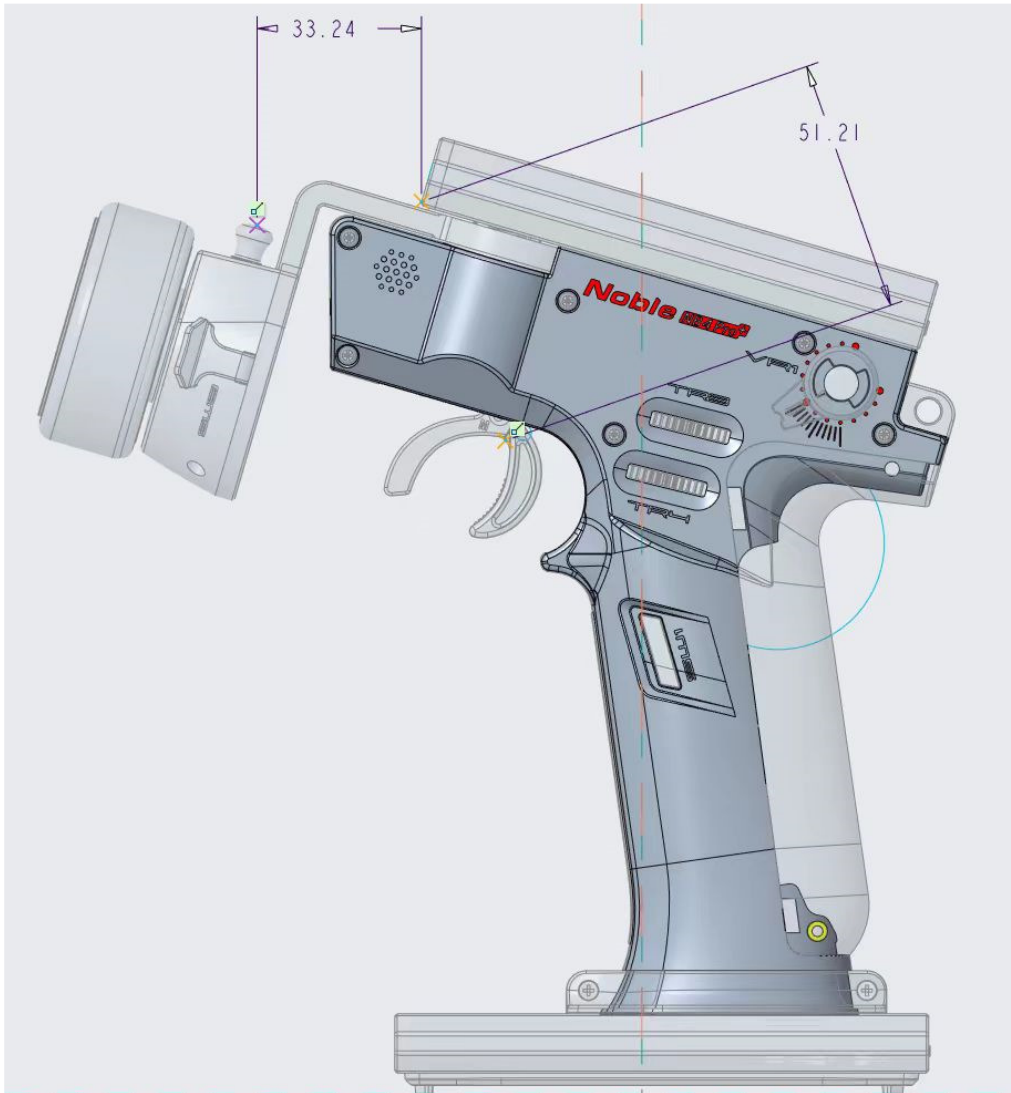
2. Photographs of Tissue Simulate Liquid

Photo 1: Tissue Simulant Liquid for HBBL600-10000MHz	NA
	NA

3. Photographs of EUT test position

<p>Photo 2: Front side</p>	<p>Photo 3: Back side</p>
	
<p>Photo 4: Left side</p>	<p>Photo 5: Right side</p>
	
<p>Photo 6: Top side</p>	<p>Photo 7: Bottom side</p>
	

4 Antenna Location



5 EUT Constructional Details

Details please Refer to Appendix – external & internal Photos for SZCR2401000249AT.