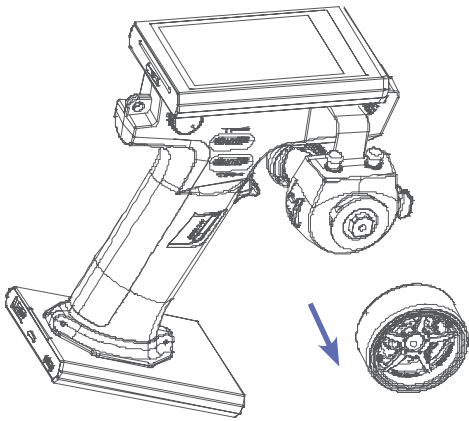
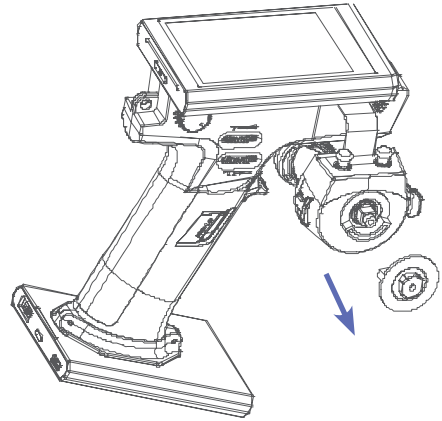


3



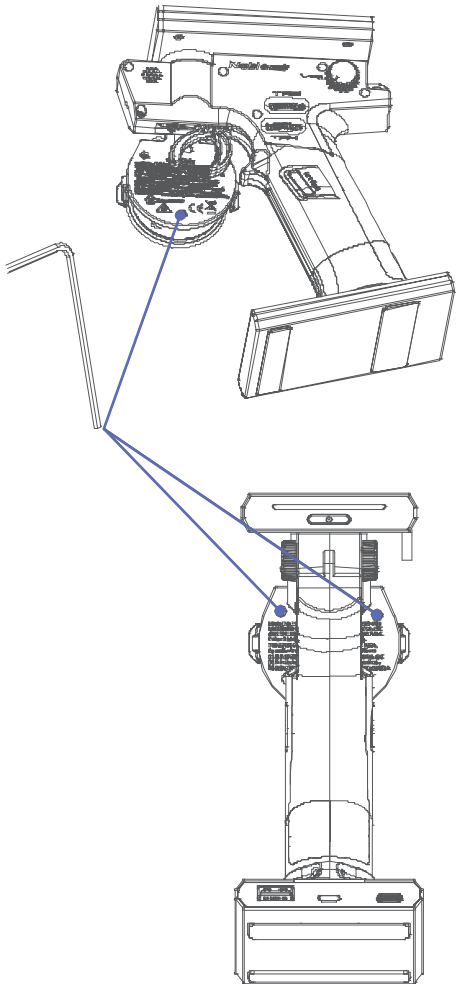
▶ Remove the steering wheel;

4



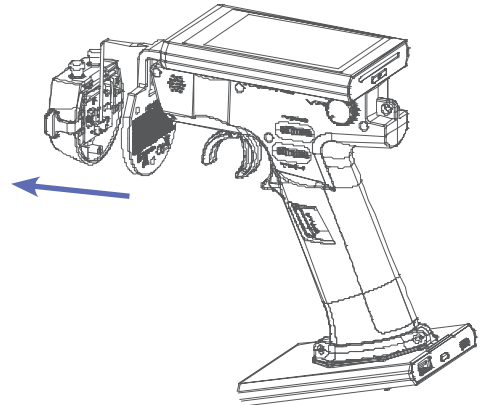
▶ Pinch the brake pad with two fingers and take out upwardly;

5



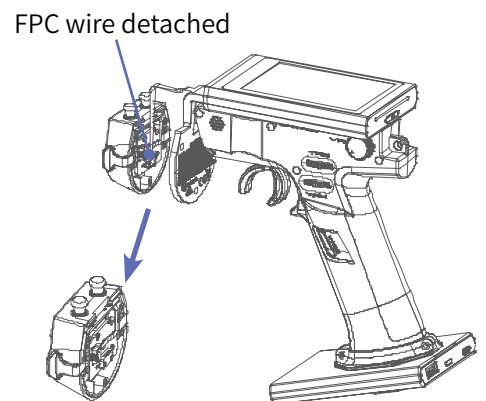
▶ Remove the screws by turning them counterclockwise with a metric 1.5mm hexagonal screwdriver;

6



▶ Steering wheel base detached;

7



▶ FPC wire detached, then remove the steering wheel base;



微信公众号



Bilibili

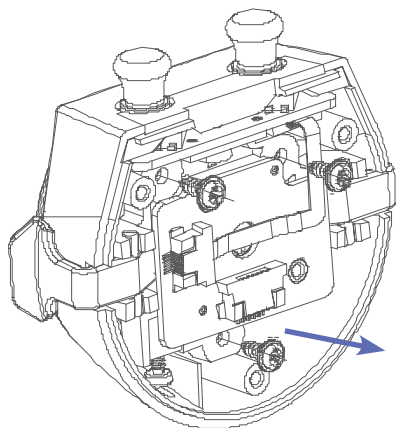


Website



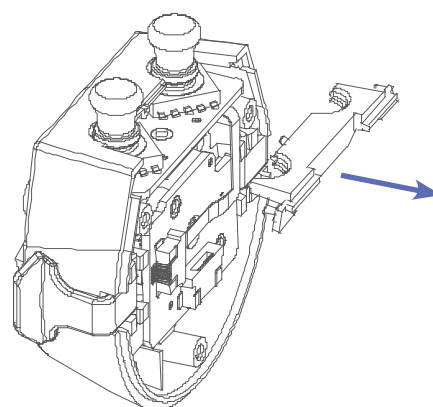
Facebook

8



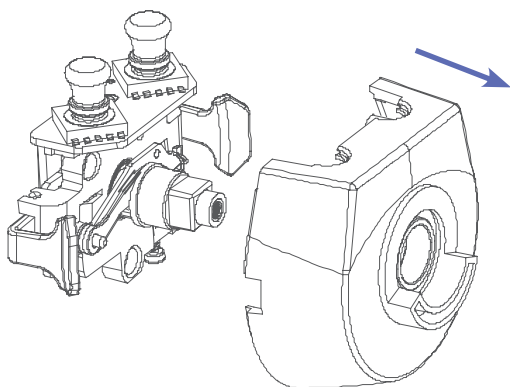
▶ Remove the screws(PWA2.1*6mm);

9



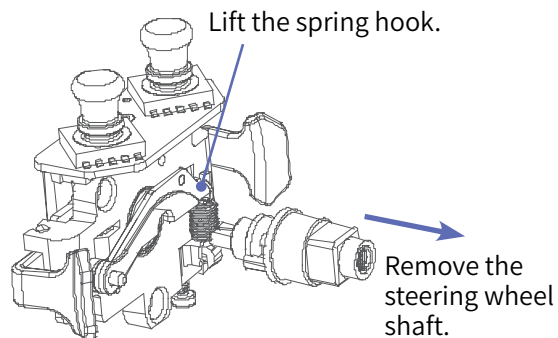
▶ Remove the cap;

10



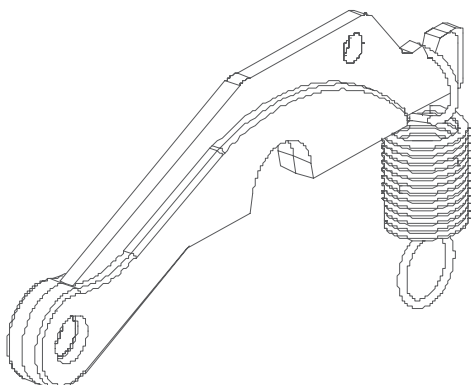
▶ Remove the upper steering wheel pad cover;

11



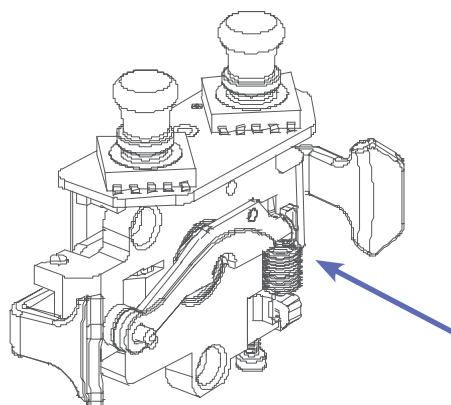
▶ Lift the spring hook with one hand and remove the steering wheel shaft with the other hand;

12



▶ Remove the spring hook and the spring component, then replace the spring;

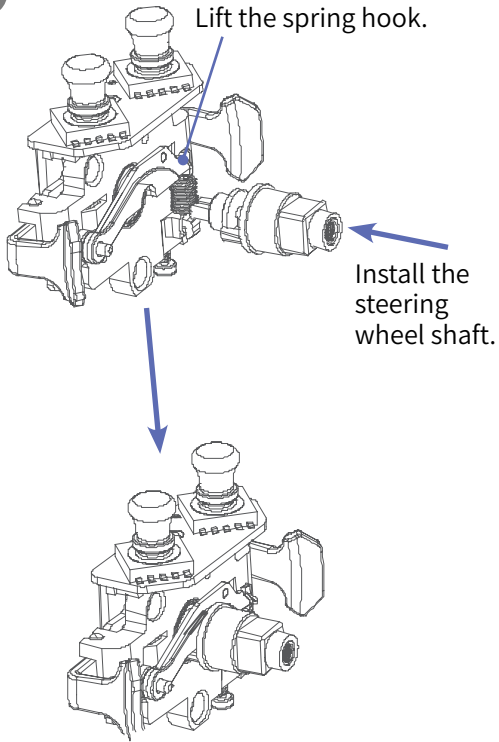
13



▶ Install the spring component;

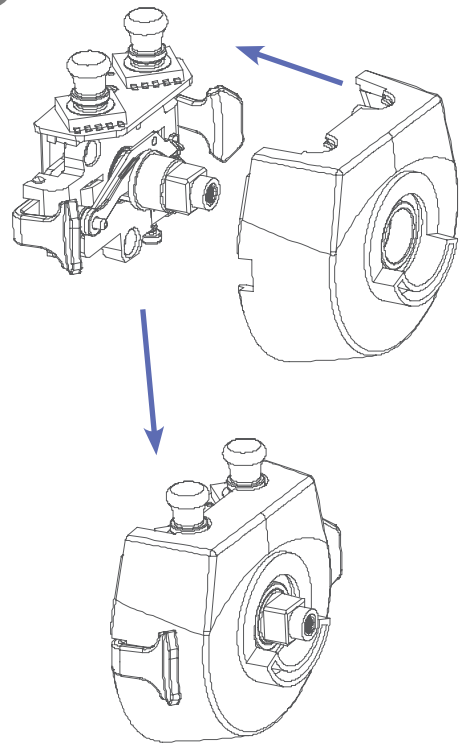


14



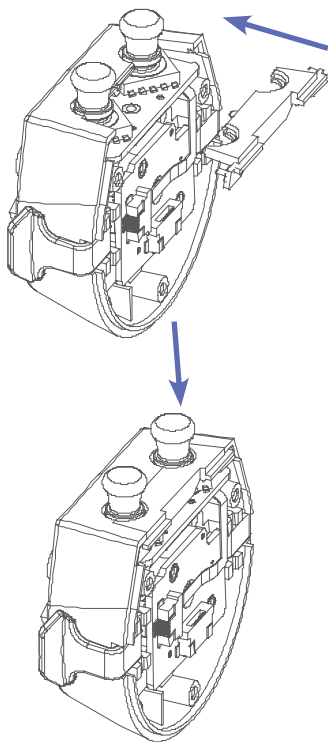
- ▶ Lift the spring hook with one hand and install the steering wheel shaft with the other hand;

15



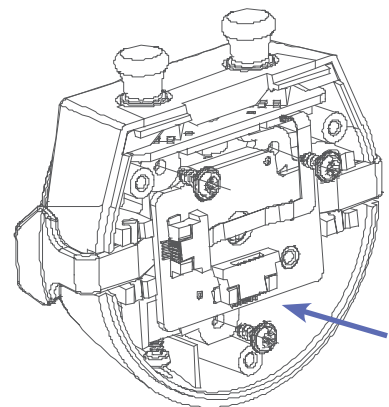
- ▶ Install the upper steering wheel pad cover;

16



- ▶ Install the cap;

17



- ▶ Lock the screws(PWA2.1*6mm);



微信公众号



Bilibili

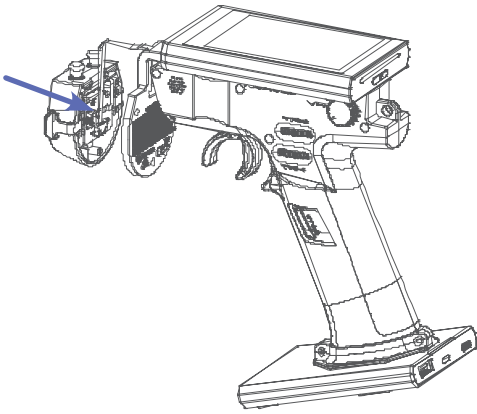


Website



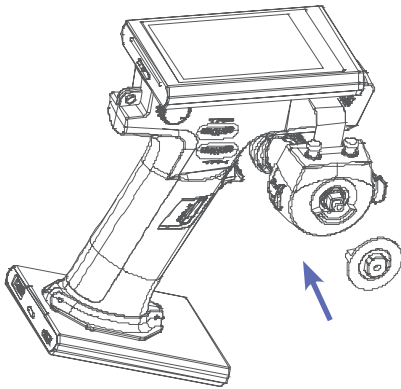
Facebook

18



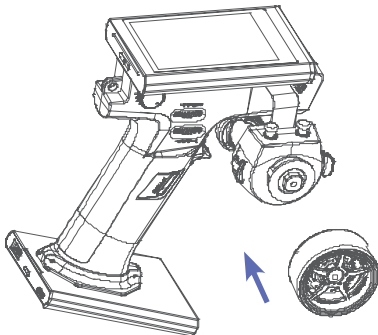
▶ Connect the FPC wire;

20



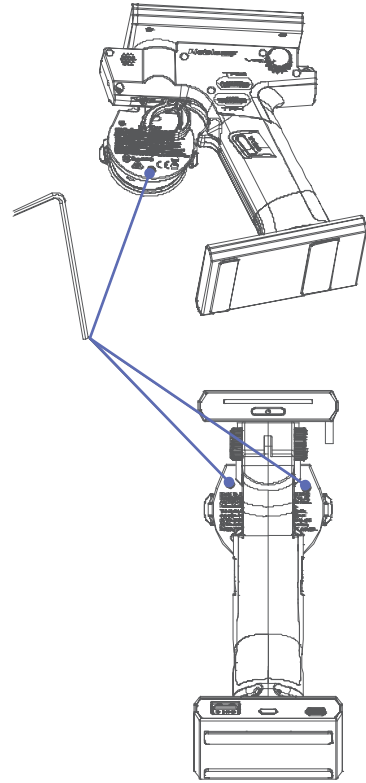
▶ Install the brake pad;

21



▶ Use the mounting slot of the steering wheel with brake pad adjustment hole to place over the protruding connector of the brake pad, then press the steering wheel to fix it;

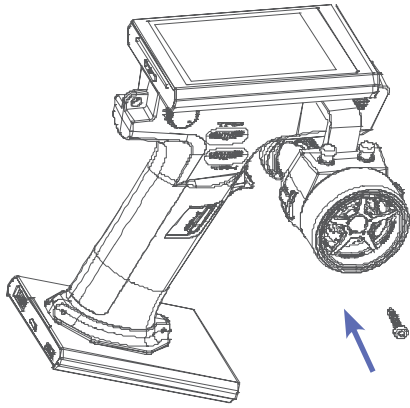
19



▶ Lock the screws(HB2*9mm);

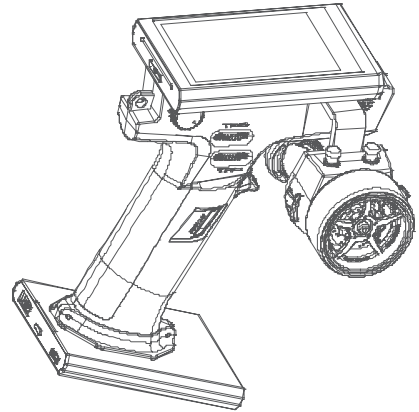


22



- ▶ Insert the screw(HM3*12) into the screw hole used to secure the steering wheel, then align a metric 2.5mm hexagonal screwdriver with the hexagonal hole in the head of the screw, hold the side of the steering wheel with one hand and turn the screwdriver clockwise with another hand until the screw is secured;

23



- ▶ Complete the steering wheel spring replacement.



微信公众号



Bilibili



Website



Facebook

12. Certification

12.1 DoC Declaration

Hereby, [ShenZhen Flysky Technology Co., Ltd.] declares that the Radio Equipment [Noble NB4 Pro+(Noble NB4 Pro+)] is in compliance with RED 2014/53/EU.

The full text of the EU DoC is available at the following internet address: www.flyskytech.com/info_detail/10.html

12.2 CE Warning

The ce warns that the installation of the antenna used in this transmitter must be kept in distance from all the personnel and shall not be used or used with any other transmitter. The end user and the installer must provide antenna installation instructions and transmitter operating conditions to meet the requirements for rf exposure compliance

12.3 Environmentally friendly disposal

Old electrical appliances must not be disposed of together with the residual waste, but have to be disposed of separately. The disposal at the communal collecting point via private persons is for free. The owner of old appliances is responsible to bring the appliances to these collecting points or to similar collection points. With this little personal effort, you contribute to recycle valuable raw materials and the treatment of toxic substances.



CAUTION

RISK OF EXPLOSION IF BATTERY IS REPLACED BY AN INCORRECT TYPE.
DISPOSE OF USED BATTERIES ACCORDING TO THE INSTRUCTIONS



12.4 FCC Statement

This equipment has been tested and found to comply with the limits for a Class B digital device pursuant to part 15 of the FCC rules. These limits are designed to provide reasonable protection against harmful interference in a residential installation. This equipment generates, uses and can radiate radio frequency energy and, if not installed and used in accordance with the instructions, may cause harmful interference to radio communications. However, there is no guarantee that interference will not occur in a particular installation. If this equipment does cause harmful interference to radio or television reception, which can be determined by turning the equipment off and on, the user is encouraged to try to correct the interference by one or more of the following measures:

- Reorient or relocate the receiving antenna.
- Increase the separation between the equipment and receiver.
- Connect the equipment into an outlet on a circuit different from that to which the receiver is connected.
- Consult the dealer or an experienced radio/TV technician for help.

To assure continued compliance, any changes or modifications not expressly approved by the party responsible for compliance could void the user's authority to operate this equipment.

This equipment complies with Part 15 of the FCC Rules. Operation is subject to the following two conditions:

- (1) This device may not cause harmful interference, and
- (2) This device must accept any interference received, including interference that may cause undesired operation.

Caution!

The manufacturer is not responsible for any radio or TV interference caused by unauthorized modifications to this equipment. Such modifications could void the user authority to operate the equipment.

1. Move all your channels to the desired position.
2. Select [All channels] and then [Yes] in the confirmation box.

CAUTION

Risk of explosion if the battery is replaced an incorrect disposal of a battery into fire or a hot oven, or mechanically crushing or cutting of a battery, that can result in an explosion; leaving a battery in an extremely high temperature surrounding environment that can result in an explosion or the leakage of flammable liquid or gas; battery subjected to extremely low air pressure that may result in an explosion or the leakage of flammable liquid or gas



微信公众号



Bilibili



Website



Facebook

12.5 ISED Compliance Statements

This device contains licence-exempt transmitter(s)/receiver(s) that comply with Innovation, Science and Economic Development Canada's licence-exempt RSS(s). Operation is subject to the following two conditions:

- (1) This device may not cause interference.
- (2) This device must accept any interference, including interference that may cause undesired operation of the device.

This equipment complies with IC RSS-102 radiation exposure limits set forth for an uncontrolled environment.

L' émetteur/récepteur exempt de licence contenu dans le présent appareil est conforme aux CNR d' Innovation, Sciences et Développement économique Canada applicables aux appareils radio exempts de licence. L' exploitation est autorisée aux deux conditions suivantes :

- (1) L' appareil ne doit pas produire de brouillage;
- (2) L' appareil doit accepter tout brouillage radioélectrique subi, même si le brouillage est susceptible d' en compromettre le fonctionnement.

Cet équipement est conforme aux limites d'exposition aux radiations IC CNR-102 établies pour un environnement non contrôlé.

12.6 RF Exposure Compliance

This equipment complies with FCC/ISED radiation exposure limits set forth for an uncontrolled environment. This transmitter must not be co-located or operating in conjunction with any other antenna or transmitter.

These requirements set a SAR limit of 4 W/kg averaged per ten gram of tissue. The highest SAR value reported under this standard during product certification for use when properly worn on the limbs.

Cet équipement est conforme aux limites d'exposition aux radiations FCC /IC CNR-102 établies pour un environnement non contrôlé.

Le dispositif portable est conçu pour répondre aux exigences d' exposition aux ondes radio établie par le développement énergétique DURABLE. Ces exigences un SAR limite de 4 W / kg par 10 g de tissu. La valeur SAR la plus élevée signalée en vertu de cette norme lors de la certification de produit à utiliser lorsqu' il est correctement porté sur le membres.

12.7 CE SAR statement

This equipment complies with Directive 2014/53/EU radiation exposure limits set forth for an uncontrolled environment. End user must follow the specific operating instructions for satisfying RF exposure compliance. This transmitter must not be co-located or operating in conjunction with any other antenna or transmitter.

The portable device is designed to meet the requirements for exposure to radio waves established by European Union market(France). These requirements set a SAR limit of 4W/kg averaged over ten gram of tissue. The highest SAR value 1.95W/kg reported under this standard during product certification for use when properly worn on the limbs.

Figures and illustrations in this manual are provided for reference only and may differ from actual product appearance. Product design and specifications may be changed without notice.

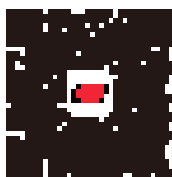




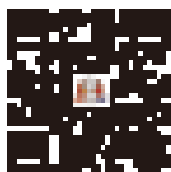
www.flysky-cn.com

Copyright ©2024 Flysky Technology Co., Ltd.

Release date: 2024-04-15



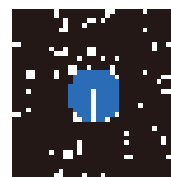
www.flysky-cn.com



www.flysky-cn.com



www.flysky-cn.com



www.flysky-cn.com



FCC ID: 2A2UNNB4PRO00
IC: 25584-NB4PRO00

EU importers: Robitronic Electronic Ges.m.b.H
Importer's address: Pfarrgasse 50
1230 Vienna
Austria

Manufacturer: ShenZhen FLYSKY Technology Co., Ltd.

Address: 16F, Huafeng Building, No. 6006 Shennan Road, Futian District, Shenzhen, Guangdong, China