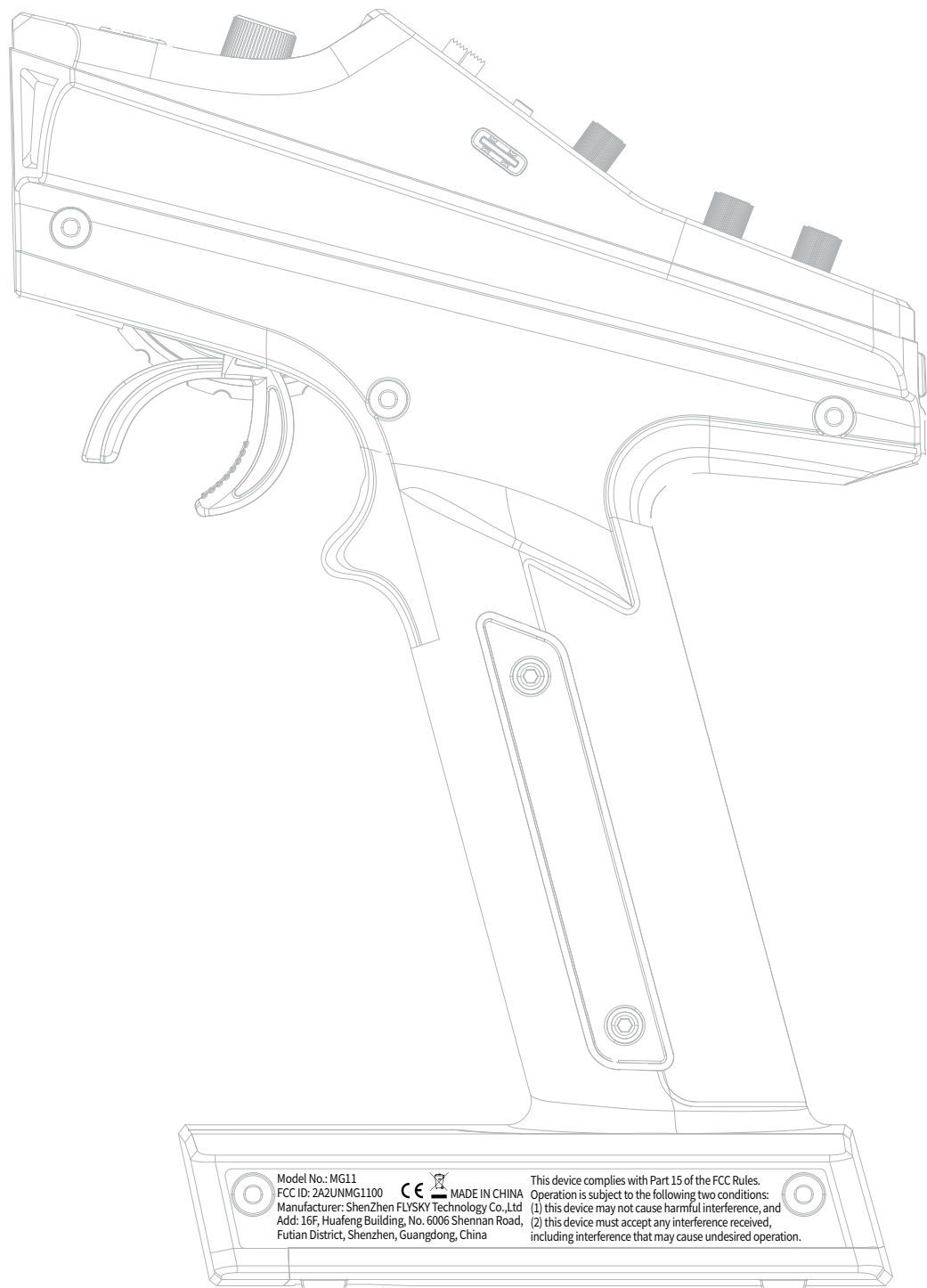


标记	处数	更改内容	签字	日期

产品经理确认

日期



10.6MM

77.8MM

Model No.: MG11
 FCC ID: 2A2UNMG1100
 Manufacturer: ShenZhen FLYSKY Technology Co.,Ltd
 Add: 16F, Huafeng Building, No. 6006 Shennan Road, Futian District, Shenzhen, Guangdong, China

CE MADE IN CHINA

This device complies with Part 15 of the FCC Rules. Operation is subject to the following two conditions:
 (1) this device may not cause harmful interference, and
 (2) this device must accept any interference received, including interference that may cause undesired operation.

Model No.: MG11
 FCC ID: 2A2UNMG1100
 Manufacturer: ShenZhen FLYSKY Technology Co.,Ltd
 Add: 16F, Huafeng Building, No. 6006 Shennan Road, Futian District, Shenzhen, Guangdong, China

CE MADE IN CHINA

This device complies with Part 15 of the FCC Rules. Operation is subject to the following two conditions:
 (1) this device may not cause harmful interference, and
 (2) this device must accept any interference received, including interference that may cause undesired operation.



环保认证要求：(需要认证的请在方框内打勾)

- RoHS REACH PAHs Ca65 WEEE



机 型	FS-MG11-BS	尺 寸	见图	核 准
名 称	FS-MG11-BS认证信息刻字	材 质	/	日期
料 号	/	色 相		审 查
单 位	mm	比 例	1:1	日期
		使用软件	Adobe Illustrator CC 2018	设计
		版 次	01	李德平
		日期	20230406	