

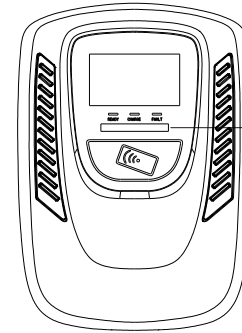
5. Specification

| | |
|-----------------------------|---|
| Model Name | GMEV40CIC1B-WC |
| Rated Input Voltage | 200-240 VAC / Single Phase |
| Rated Output Current | 16/32/40/48A |
| AC Power Frequency | 60 Hz |
| Input Protection | UVP, OVP, RCD, SPD, Ground Fault Protection |
| Output Protection | OCP, OTP, Control Pilot Fault Protection |
| Output Interface | SAE J1772 AC Charging Connector |
| Storage Temperature | -40°F to 158°F |
| Operation Temperature | -22°F to 122°F |
| Relative Operation Humidity | 95% RH Maximum |
| Relative Storage Humidity | 95% RH Maximum |
| Version | LAN Version / Wi-Fi Version |
| RJ45 Cable Inlet*1 | 10M/100M Base-T |
| Wi-Fi Function*2 | 802.11 b/g/n |
| 3G/4G Fnction*3 | / |
| Cable Length | 18ft |
| Protection Level | Type 3 |
| Installation Type | Wall-Mounted |
| Altitude | ≤ 6561ft |
| Status Indication | Red, Green, Blue LED |

*1 LAN Version or Wi-Fi Version

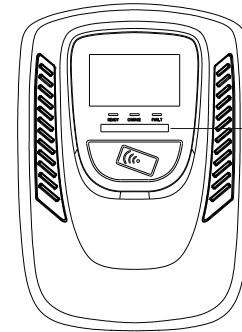
*2 Wi-Fi Version

6. Status Description of the Charger Indication Light



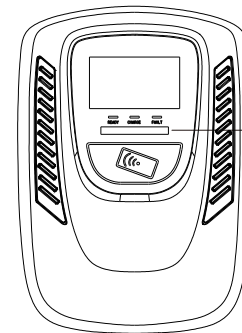
READY

Standby - Blue Light
The READY light stays steady in standby mode.



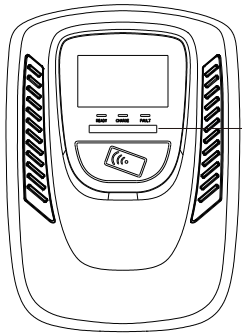
CHARGE

Waiting for Charging - Green Light
After the vehicle connector is connected to the vehicle inlet, the CHARGE light is constantly lit.



CHARGE

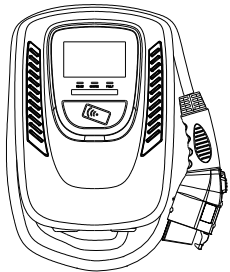
Charging - Green Light Flashing
The CHARGE light flashes while charging.



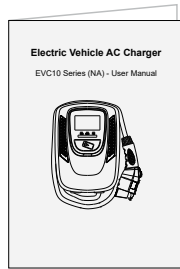
FAULT

Fault - Red Light
 The red light is lit while fault. Please refer to "9.3 Error and Warning Messages" for detailed information.

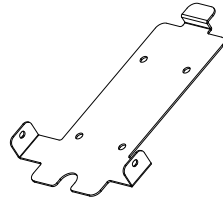
7. Packing List



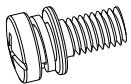
1



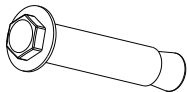
2



3



4



5



6

| No. | Product Name | Quantity | Note |
|-----|----------------------------------|----------|------|
| 1 | AC Charger (With Charging Cable) | 1 | |
| 2 | User Manual | 1 | |
| 3 | Wall-Mounted Bracket | 1 | |
| 4 | M5 teeth screws | 2 | |
| 5 | M6 Hexagonal Expansion Screws | 4 | |
| 6 | RFID Card (RFID Version Only) | 2 | |

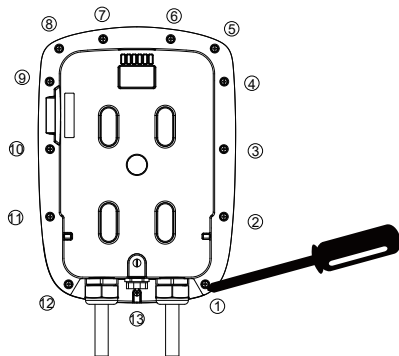
8 Installation Instructions

8.1 Safety Requirements

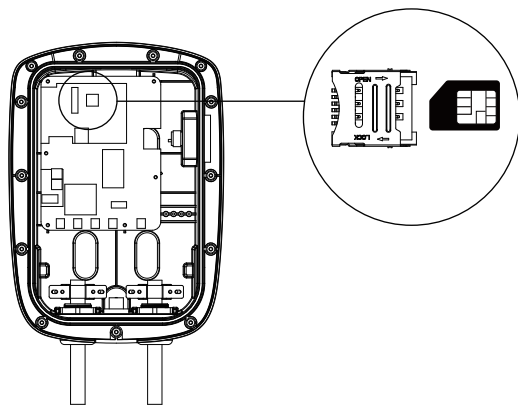
- Be sure to preview the user manual and ensure local building and electrical codes are reviewed before installing the AC charger.
- The AC charger should be installed by a qualified technician according to the user manual and local safety regulations.
- Use appropriate protection when connecting to the main power distribution cable.
- Type B, C or D breaker with the rating current for table should be installed in the upstream AC distribution box.
- Disconnect switch for each ungrounded conductor of AC input shall be provided by others in accordance with the National Electric Code, ANSI/NFPA 70.

8.2 Installation Steps

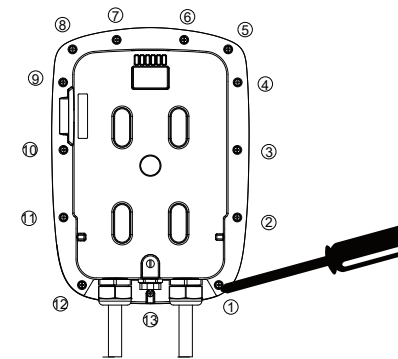
Step 1: Use screwdriver to loosen the 13 fixed screws on the rear of charger, then remove the front cover (for 4G Version).



Step 2: Insert the SIM card according to the picture's instruction (for 4G Version).



Step 3: Tighten 13 screws on the front cover after the front cover is put back, the recommended screw torque is 1.0 N.m (9.6 lbf.in) (for 4G Version).



8.3 Wiring

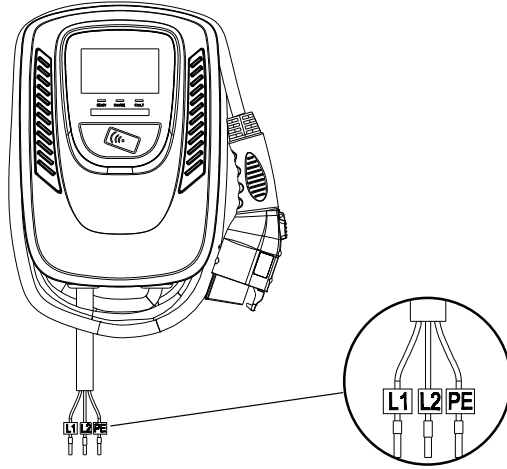
GROUNDING INSTRUCTIONS

This product must be grounded. If it should malfunction or break down, grounding provides a path of least resistance for electric current to reduce the risk of electric shock. This product is equipped with a cord having an equipment grounding conductor and a grounding plug. The plug must be plugged into an appropriate outlet that is properly installed and grounded in accordance with all local codes and ordinances.

WARNING – Improper connection of the equipment-grounding conductor is able to result in a risk of electric shock. Check with a qualified electrician or serviceman if you are in doubt as to whether the product is properly grounded. Do not modify the plug provided with the product – if it will not fit the outlet, have a proper outlet installed by a qualified electrician.

IAVERTISSEMENT - Une mauvaise connexion du conducteur de mise à la terre de l'équipement peut entraîner un risque de choc électrique. Vérifiez auprès d'un électricien ou d'un technicien qualifié si vous n'êtes pas sûr que le produit soit correctement mis à la terre. Ne modifiez pas la fiche fournie avec le produit - si elle ne rentre pas dans la prise, faites installer une prise appropriée par un électricien qualifié.

For safe use of electricity, please add circuit breaker protection in the input part of charging pile. Connect the L1 lead to the grid L1, connect the L2 lead to the grid L2, connect the PE lead to the grid PE (for all Version).



Circuit Breaker Options table

| | | | | |
|-----------------------------|-----|-----|-----|-----|
| Output Amperage (A) | 16A | 32A | 40A | 48A |
| Circuit Breaker Options (A) | 20A | 40A | 50A | 60A |

8.4 Tools and Materials Required

Tools required before installing the Wall-Mounted charger, gather the following tools:

- Wire stripper
- Crimpers for European terminals
- Phillips screwdriver for M5
- Slotted screwdriver for 4~5.5MM
- Adjustable Wrench M6
- Head gasket screw 10-10.5mm
- Voltmeter or digital multi-meter (for measuring AC voltage at the installation site)
- The inserting cable should meet the best waterproof performance. It is recommended to use 3 core / 7AWG cable (XLPE or equivalent cable) to pull the cable from the distribution box.
- Level ruler
- Pencil or marker
- Machine drill

Installation Instructions

“This device shall be mounted at a sufficient height from grade such that the height of the storage means for the coupling device is located between 600mm (24 inches) and 1.2m (4 feet) from grade.”