



# 4K UST Laser Projector

User Manual



PE-LT002

# CONTENTS

EN	01
DE	32
FR	64
IT	96
ES	128
PT	160
JP	192
CN	224

EN



## IMPORTANT SAFETY INSTRUCTIONS

### 1. ABOUT LASER LIGHT

- Never look into the projector lens when the laser is turned on; this can result in eye damage.
- Do not try to dismantle the projector. It contains a high-power laser component; attempting to modify can result in serious injury.
- Do not allow children to operate the projector.  
They must be accompanied by an adult for use.

### 2. HIGH TEMPERATURE

- Do not place anything that can become warped or damaged by heat near the vents.
- Do not bring your hands or face close to the vents while projection is in progress.
- Do not place flammable materials such as aerosols near the device in case of fire.

**FOR HOUSEHOLD USE ONLY**  
**READ AND SAVE THESE INSTRUCTIONS**



# KNOWING YOUR PROJECTOR

# 1

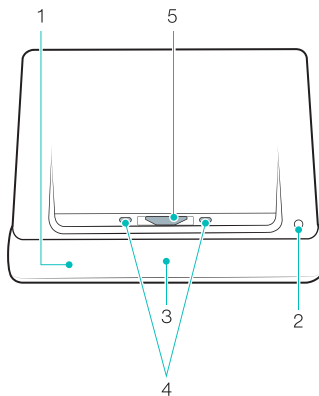
## 1.1 Package Contents

Parisrhone Laser Projector	*1
Remote Control	*1
AAA Battery	*2
Power Cord	*1
Cleaning Cloth	*1
User Manual	*1
Quick Start Guide	*1

## 1.2 Parts and Components

### PROJECTOR

Front/Top



1. Speaker

2. Power Button

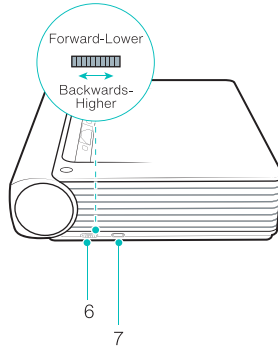
3. Status Indicator

4. PIR Sensor

5. Lens

Blinking	Booting/Shutting down
Off	Outage/Abnormal
Solid On	Powered but not on

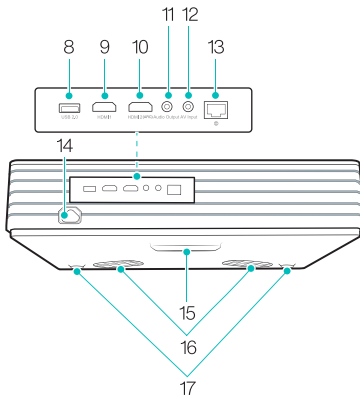
## Side



6. Height Adjusting Wheels

7. USB2.0

## Rear/Bottom



8. USB Port

9. HDMI Input 1

10. HDMI Input 2 (ARC)

11. Audio Output

12. AV Input

13. Ethernet Port

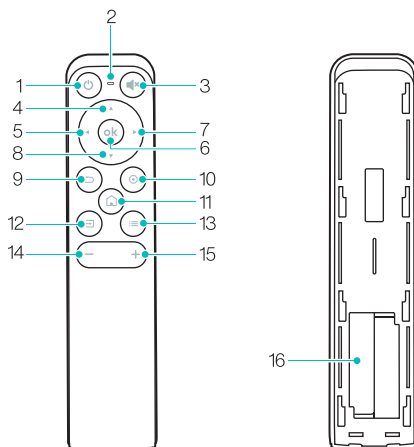
14. Power Port

15. Rear Foot

16. Speaker Air Vents

17. Front Foot \*2

## REMOTE CONTROL



1. Power

2. Indicator Light

3. Mute

4. Up

5. Left

6. OK

7. Right

8. Down

9. Return

10. Settings

11. Home

12. Signal

13. Menu

14. Volume -

15. Volume +

16. AAA Battery Holder



## 1.3 Specifications

Projection System	
Display Type	DLP
Light Source	Laser
Throw Rate	0.233
Projection Size	Up to 150"
Resolution	4K
Luminance Uniformity	> 80%
Contrast Ratio	> 2000:1 (FOFO)
Color Gamut	Rec.709
Smart TV System	
System	Android 9.0
App Store	Yes
HDR 10	Yes (decoding)
HLG	Yes
Keystone Correction	Yes (8 Points)
Electric Focus	Yes

Audio	
Speaker	50W
Bluetooth In	Yes (connect with mobile phone)
Bluetooth Out	Yes (connect with Bluetooth speaker)
DTS-HD	Yes (decoding)
Dolby Audio	Yes (decoding)
Interface	
HDMI	2 ports (1 with ARC)
USB	2 (5V DC,1500mA)
Video In	AV (3.5mm)
Audio Out	Line out 1 (3.5mm) and S/PDIF 1
RJ45	1
Connectivity	
Internet	Wired and wireless (802.11ac 2.4G / 5G)
Bluetooth	BT 4.2
Power	
Input	100-120VAC/200-240VAC, 50/60Hz
Power Consumption	≤360W
Standby Power Consumption	<0.5W
Others	
Dimensions	425*335*100mm/16.73*13.19*3.94 in
Weight	7KG
Working Temperature	0 - 40°C / 32 - 104°F
Storage Temperature	-20 - 55°C / -4 - 131°F



# USING YOUR PROJECTOR

# 2

## 2.1 Quick Installation Guide

### PREPARATION

Install the electrical outlet near the equipment. It should be easily accessible. Take the 4 following items into consideration when installing the projector:

- 1) Distance between the projector back and the wall (W1)
- 2) Height: image width (height) (H1), height between the bottom of the image and the desk (H2), height of the desk (H3), and the recommended height of the wall (H4)
- 3) Surface for placing the projector

You can place the projector on almost any sturdy, flat and level surface, to project an image.

Dimensions of the desk:

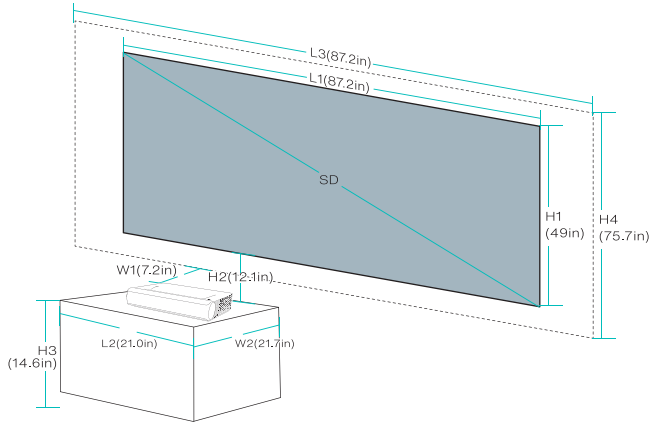
- Mobile desk: W2, H3, and L2
- Immobile desk: W2, H3, L2 and W1 (leave enough space to move the device on the desk)

- 4) Image of the projection

The wall for the projection should be larger than the area of your desired image size.

Wall area: length ( $L3, \geq L1$ ) x width ( $H4, \geq H1 + H2 + H3$ ) in the diagram.

## Parameters for Projection (100" for example)



## Projection Distance & Image Dimensions

Device Dimensions (LxWxH)	Image SD	Image Length (L1)	Image Width (H1)	Device-Wall Distance (W1)	Image-Desk Height Gap (H2)
53.3 x 36.8 x 10.7cm / 21.0 x 14.5 x 4.2in	80"	177.1cm / 69.7in	99.6cm / 39.2in	13.6±1.2cm	27±1.5cm
	90"	199.3cm / 78.5in	112.1cm / 44.1in	18.5±1.4cm	29.5±1.8cm
	100"	221.4cm / 87.2in	124.5cm / 49.0in	23.4±1.5cm	32±2.1cm
	120"	265.7cm / 104.6in	149.4cm / 58.8in	33.1±1.8cm	37±2.3cm
	150"	332.1cm / 130.7in	186.8cm / 73.5in	47.7±2.2cm	44.5±3.5cm

Image SD	Desk Length (L2)	Desk Width (W2)		Desk Height (H3)	Wall Length (L3)	Wall Width (H4)
	$L2 \geq L$	Mobile Desk: (W2 $\geq$ W)	Immobile Desk: (W2 $\geq$ W+W1)	Image center at 1.3m high	$L3 \geq L1$	$H4 \geq H1+H2+H3$
80"			$\geq 45.3\text{cm}$ / 17.8in	53.9cm / 21.2in	$\geq 177.1\text{cm}$ / 69.7in	$\geq 179.8\text{cm}$ / 70.8in
90"			$\geq 50.2\text{cm}$ / 19.8in	45.4cm / 17.9in	$\geq 199.3\text{cm}$ / 78.5in	$\geq 186.5\text{cm}$ / 73.4in
100"	$\geq 53.3\text{cm}$ / 21.0in	$\geq 36.8\text{cm}$ / 14.5in	$\geq 55\text{cm}$ / 21.7in	37.0cm / 14.6in	$\geq 221.4\text{cm}$ / 87.2in	$\geq 192.3\text{cm}$ / 75.7in
120"			$\geq 64.6\text{cm}$ / 25.4in	20.1cm / 7.9in	$\geq 265.7\text{cm}$ / 104.6in	$\geq 204.7\text{cm}$ / 80.6in
150"			$\geq 79.2\text{cm}$ / 31.2in	0cm / 0in	$\geq 332.1\text{cm}$ / 130.7in	$\geq 228.7\text{cm}$ / 90.0in

### Example Calculation for a 100" Image

- 1) Distance (W1): 18.2cm / 7.2in.
- 2) Heights: H1: 124.5cm / 49.0in; H2: 30.8cm / 12.1in; H3: 37.0cm / 14.6in (thus the image center is at 1.3m / 51.2in high, suitable for audience sitting on a sofa in front); H4:  $\geq 192.3\text{cm}$  / 75.7in.
- 3) Area of the desk (L2 x W2):  $\geq 53.3 \times 55\text{cm}$  /  $21.0 \times 21.7\text{in}$ .
- 4) Area of the wall (L3 x H4):  $\geq 221.4 \times 192.3\text{cm}$  /  $87.2 \times 75.7\text{in}$ .

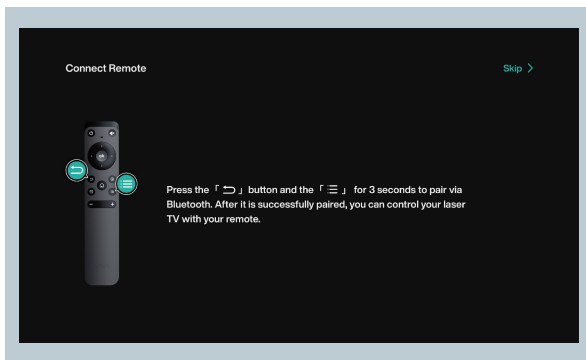
### **Tips:**

- 1) Conversion figures may have been rounded up or down.
- 2) Leave plenty of space around and under the projector for ventilation, and keep the vents unblocked in all directions.
- 3) Position the projector within reach of a grounded electrical outlet or extension cord.
- 4) The projected image size increases as the projector is placed farther from the wall. Move the desk for placing the projector as the distance requires.
- 5) For H3, the provided recommended value of the image center at 1.3 m./51.2 in. high would be most comfortable with the assumption that it will be viewed from a sofa. You can adjust per your personal preference.

## **INSTALLING THE PROJECTOR**

Place the projector on the desk. Move to an appropriate distance for the desired image size while keeping the device parallel with the wall. Connect the projector to a power source and press the Power button on the device or remote to turn it on. Follow the instructions to go through the wizard, including the following operations:

- 1) Choose a language
- 2) Pair with the remote control
- 3) Network settings
- 4) Adjust the projection area
- 5) Select the time zone



## 2.2 Functions

### 1. MOTION DETECTION

There are two PIR motion sensors at the front of the projector; when it detects human approaching, the projector will dim the brightness of the laser light to prevent any potential eye damage. This function is active by default and can be disabled in Settings -> General. Press any button on the remote control and the laser light will restore to normal brightness level.

### 2. HDR10

This projector supports HDR10, currently the most widely used High Dynamic Range technology, especially for Blu-ray devices and professional game consoles. Compared to devices without HDR10, the projector delivers images with more detail and a wider dynamic range.



### **3. DOLBY AUDIO AND DTS DECODING**

The projector supports Dolby Audio and DTS (dedicated to sound) decoding, perfect for a home theater.

- 1) Manufactured under license from Dolby Laboratories. Dolby, Dolby Audio and the double-D symbol are trademarks of Dolby Laboratories.
- 2) For DTS patents, see <http://patents.dts.com>. Manufactured under license from DTS Licensing Limited. DTS, the Symbol, DTS and the Symbol together, DTS-HD, and the DTS-HD logo are registered trademarks and/or trademarks of DTS, Inc. in the United States and/or other countries. ©DTS, Inc. All Rights Reserved.

### **4. TEMPERATURE PROTECTION**

The built-in temperature protection function can protect the device in the case of a high ambient temperature. The projector will prompt a warning message and enter ECO mode automatically when the ambient temperature is higher than 95°F. If the temperature reaches 104°F, the device will activate the function of protection against abnormalities and shut off.

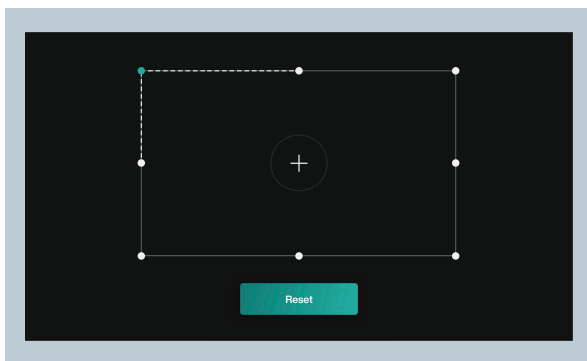
## 2.3 Operation Guide

### 1. POWER ON/OFF

Connect the projector to a power source. Press the Power button on the projector or the remote to power it on / off.

### 2. POSITION ADJUSTMENT

Refer to the following instructions to adjust the position of the projector and get an undistorted image.

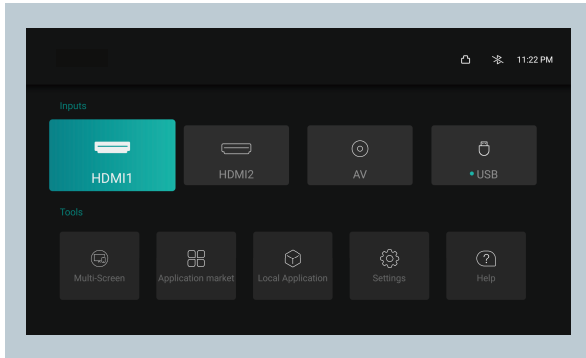


### 3. USER INTERFACE OVERVIEW

There are 2 parts on the homepage: Inputs and Tools.

- Signal source: HDMI1, HDMI2 and AV
- Tools: File Manager, App Manager, Local Application, Setting and Help.

On top you can see the Network, Bluetooth, and the time.



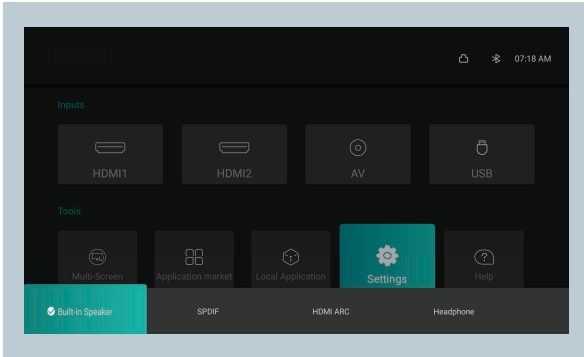
### 4. CONNECTION WITH PERIPHERALS

You may connect PS4 game console, ROKU TV, computer, etc., via the HDMI port, DVD device by the AV port, USB device/keyboard/mouse by the USB port (refer to 5. File Management), or professional audio by S/PDIF or LINE OUT port.

- 1) Choose the corresponding signal source for the device connected, including HDMI1, HDMI2, and AV.
- 2) Select audio output on the homepage, go to Settings -> Audio, and select the corresponding output method among the following options in Audio Output.
  - Speaker: Use the built-in speaker
  - Headphone: Connect to headphones
  - S/PDIF: Connect to external audio device by S/PDIF port**PCM: All formats will be converted to PCM for output.**

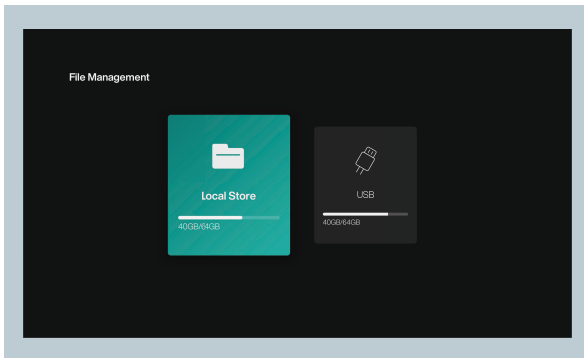
RAW: No processing for the source audio. Recommended for Dolby Audio and DTS sources for better performance.

- HDMI ARC: Output the sound via the HDMI ARC port



## 5. FILE MANAGEMENT

In File Manager, you can manage the files in the internal flash drive and the plugged USB drive.



### 1) Internal Flash

You can save files to the projector storage, including the apps downloaded, files downloaded in the app, files in the USB drive, etc.

### 2) Using the USB drive

Plug in the USB drive and view files on the interface.

### 3) NetHood

You can view files shared by other devices on the same network by NetHood.

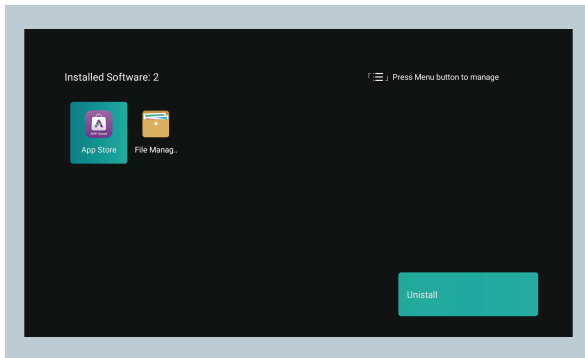
#### Tips:

Support saving, viewing, copying, and deleting files through the All Files folder under these circumstances.

## 6. SEARCHING FOR / INSTALLING / DELETING APPS

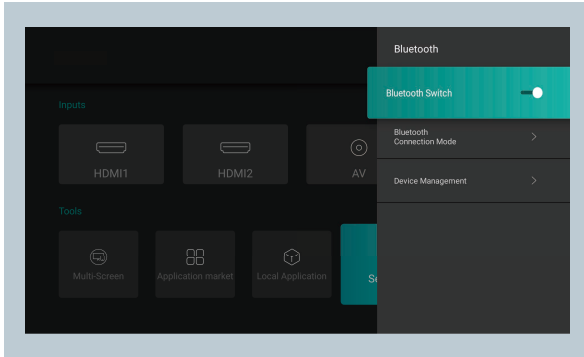
The device comes equipped with the Android 9.0 system and the application store. It supports downloading and installation of over 300 apps. Search through, download, and install apps in the Application market.

To delete an app, select the app on the local application, hold down the OK button and select OK on the pop-up window.



## 7. PAIRING VIA BLUETOOTH

Select the Bluetooth icon at the top right corner to enter the Bluetooth interface.



### 1) Use as Bluetooth speaker

Turn on Open Detection, select Input for Audio Mode on the interface, find and select the projector model under Bluetooth Devices on your phone or laptop to play audio via the built-in speaker of the projector (go to Settings -> General -> Device Name to check the Bluetooth name of the projector).

### 2) Pairing with audio devices

Select Output for Audio Mode on the interface, select Search Devices, find and select your audio device under Searched Devices, and the pairing will start automatically. The paired Bluetooth device will appear under Paired Devices.

### 3) Pairing with other devices

To pair with a Bluetooth controller, keyboard, mouse, remote, etc., select Search Devices, then select the desired device under Searched Devices to pair.

#### Tips:

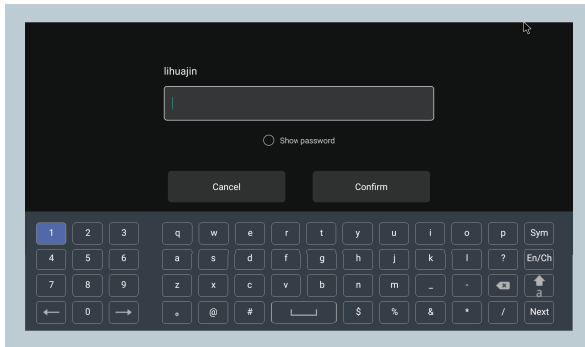
To disconnect with a device, select it in My Devices and choose the "Disconnect" option.

## 8. NETWORK SETTING

Select the Network icon at the top right corner to enter the network setting interface.

For wired connection, plug in the Ethernet cable. For wireless connection, find the network name on the drop-down list, select, and enter the password to connect. The software supports network anomaly detection.

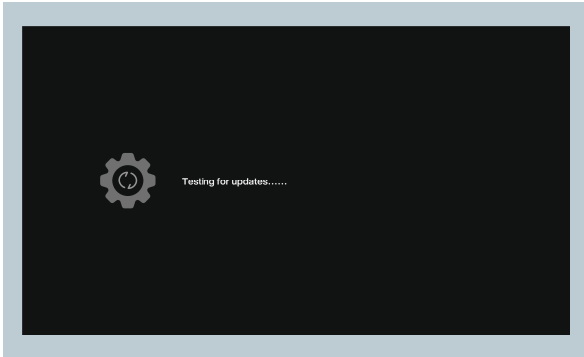
- 1) Show Password cannot be selected when the keyboard is shown.  
Press the Return button to exit the keyboard and tick the box.
- 2) After entering the password, select the Confirm key to connect.



## 9. SYSTEM UPGRADE

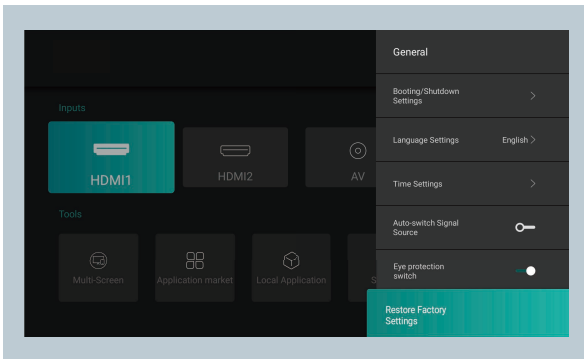
OTA update

Select Settings -> About -> Check for Updates to update the system.



## 10. IMAGE SETTINGS

Go to Settings -> Image, or press the Settings button to enter the interface.





### 1) Image Settings

You can select the image mode or adjust the brightness, contrast, chroma, hue and definition.

### 2) Advanced Settings

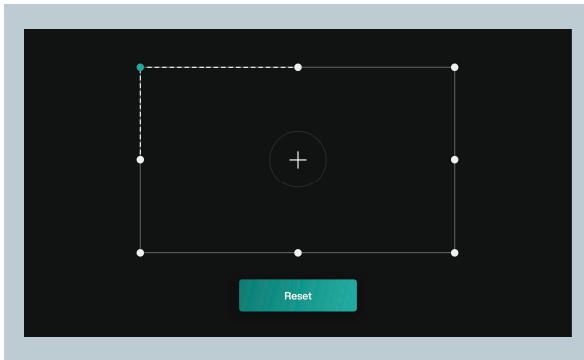
You can select the MEMC mode or adjust the dynamic contrast, color temperature, refresh rate or reset to factory settings.

### 3) Light Source Settings

You can select the light source mode or adjust the light source brightness.

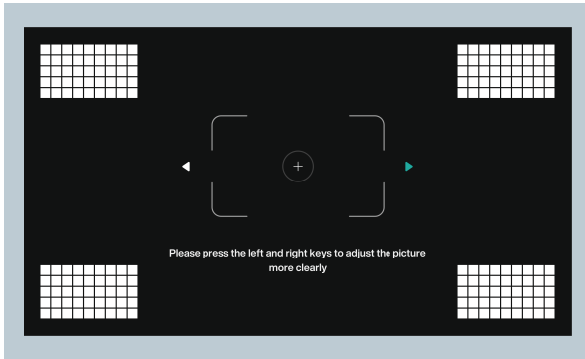
### 4) Keystone Correction

You can adjust the image.



### 5) Electric Focus

You can adjust the focus by the Left/Right button on the remote to get the clearest projection.



## 11. PLAYBACK SETTINGS

When playing videos, press the Menu button to prompt a sidebar menu which includes the followings: Video ratio, Sound track, Subtitle, Playback settings, Cycle mode, and Audio Effect.

## 12. MOUSE MODE

Go to Settings -> General -> Mouse Mode -> On/Off to enter/exit Mouse mode.

While in Mouse mode, you can use the remote as a computer mouse as to control the projector with greater flexibility.



# CLEANING AND MAINTENANCE

# 3

- Before cleaning, unplug the power cord from the socket. Wipe the exterior of the projector routinely with the provided cleaning cloth or a cloth designed for professional use. Do not apply abrasive detergent, solvent or other coarse chemicals to avoid scrapes.
- Leave plenty of space around the vents for heat dissipation.
- Do not place anything blocking the speaker for better sound.
- Disassembling the device will not only null the warranty but may also cause harm to your or others' safety.
- Do not use the projector near water, sources of heat, high-voltage electrical wires, or sources of magnetic fields.
- If you use the projector in a country other than where you purchased it, use the correct power cord for that country.
- Do not block the lens during projection using a book or any other object. This could damage the projector or cause a fire.
- Remove the battery from the remote control if not in use for extended amounts of time in case of leakage and damage to the remote.
- Please follow local regulations to promptly and properly dispose of used batteries.



# TROUBLE- SHOOTING

# 4

**Q: Do I need to prepare a screen for projection?**

**A:** For optimal performance, project onto a flat wall with only one color, preferably white. However, using a recommended screen can provide the best experience.

**Q: The motion detection is not working.**

**A:** Make sure the sensor is not blocked and the function is active in Settings.

**Q: The remote control isn't working.**

**A:**

- Press any button on the remote, if blue light flashes, the remote is still powered.
- Check if there're obstacles in front of the Parisrhone icon on the projector. If the remote can't work while pointing to the Parisrhone icon, the remote or the infrared function is abnormal.
- If the infrared function is good, check if the remote has been paired via Bluetooth.

**Q: I can't play files from my USB drive.**

**A:** Your USB drive may be in a format that the projector does not support. Back up the files to your computer, reformat the USB drive, transfer the files back to the drive, and plug the drive into the projector to try again.

**Q: I've connected a device via the HDMI port, but there's still no signal.**

**A:** There are 2 HDMI ports on the projector. Make sure the device is connected to the correct one, the HDMI wire is working, and the HDMI device is powered on.

**Q: No sound is playing.**

**A:** Check whether the correct audio output (built-in speaker/external speaker) is selected in Audio Settings, or if it's muted.

**Q: The image isn't clear/there is no image.**

- A:**
- Make sure the original video is in high definition.
  - Check that the projector is in focus: go to Settings -> Image -> Electric Focus to adjust accordingly.
  - Power off the device and unplug the power cord. Plug it again after 1 min and power on the device.

**Q: How do I choose the audio output?**

- A:** When connecting to a speaker in Settings, there are two output options: PCM and RAW.
- For PCM output, the audio source is decoded. It is compatible with almost all speaker types, but the sound quality may be compromised.
  - For RAW output, no decoding is involved for the audio output, thus retaining the original sound (as long as the connected speaker supports the decoded audio). RAW output is generally the optimal choice.

**Q: What do I do if the system breaks down or gets stuck?**

- A:**
- Power off the device and unplug the power cord. Plug it in again after 1 min and power on the device.
  - There may be too much on the system cache. Free up space on Android and delete rarely-used apps.
  - There may be a network problem. Check whether your network supports watching videos online. A bandwidth of 8M or higher can usually support 1080p videos.

**Q: The remote control got disconnected / I can't power on the device wirelessly because the remote isn't paired.**

- A:** The projector can only be powered on by pressing the power button on the projector or via infrared. Powering on via Bluetooth is not available.

**Q: The system prompts a message of high temperature and the device shuts off automatically.**

**A:** Make sure the device is working in a proper ambient temperature (within the device's working temperature range) and that the vents are not blocked. Restart the device.

**Q: The device cannot be powered on.**

**A:** Check whether the device is connected to power properly and that the socket connects to electricity. Press the Power button on the device to start.

**Q: How do I use the remote in mouse mode?**

**A:** · Go to Settings -> General -> Mouse Mode -> On/Off to enter mouse mode.  
Then you can use the remote as a mouse to control the projector.  
· Go to Settings -> General -> Mouse Mode -> On/Off to exit mouse mode.



## WARRANTY AND SERVICE

We will provide you with after-sales service based on specific local policies. Please contact your local sales representative or after-sales team for more details. If you have any questions, please feel free to reach us via email at [support@parishone.co](mailto:support@parishone.co).

**FCC Compliance**

This device complies with Part 15 of the FCC Rules. Operation is subject to the following two conditions:

- (1) This device may not cause harmful interference, and
- (2) This device must accept any interference received, including interference that may cause undesired operation.

**Warning:** Changes or modifications not expressly approved by the party responsible for compliance could void the user's authority to operate the equipment.

**NOTE:** This equipment has been tested and found to comply with the limits for a Class B digital device, pursuant to Part 15 of the FCC Rules. These limits are designed to provide reasonable protection against harmful interference in a residential installation. This equipment generates uses and can radiate radio frequency energy and, if not installed and used in accordance with the instructions, may cause harmful interference to radio communications. However, there is no guarantee that interference will not occur in a particular installation. If this equipment does cause harmful interference to radio or television reception, which can be determined by turning the equipment off and on, the user is encouraged to try to correct the interference by one or more of the following measures:

- Reorient or relocate the receiving antenna.
- Increase the separation between the equipment and receiver.
- Connect the equipment into an outlet on a circuit different from that to which the receiver is connected.
- Consult the dealer or an experienced radio/TV technician for help

**FCC Radiation Exposure Statement:**

This equipment complies with FCC radiation exposure limits set forth for an uncontrolled environment. This equipment should be installed and operated with minimum distance 20cm between the radiator & your body.

**WEEE Compliance**

Correct Disposal of This Product (Waste Electrical & Electronic Equipment)  
(Applicable in countries with separate collection systems)

This marking on the product, accessories or literature indicates that the product and its electronic accessories should not be disposed of with other household waste at the end of their working life. To prevent possible harm to the environment or human health from uncontrolled waste disposal, please separate these items from other types of waste and recycle them responsibly to promote the sustainable reuse of material resources. Household users should contact either the retailer where they purchased this product, or their local government office, for details of where and how they can take these items for environmentally safe recycling. Business users should contact their supplier and check the terms and conditions of the purchase contract. This product and its electronic accessories should not be mixed with other commercial wastes for disposal.



[www.parisrhone.co](http://www.parisrhone.co)

US: [support@parisrhone.co](mailto:support@parisrhone.co)  
JP: [support.jp@parisrhone.co](mailto:support.jp@parisrhone.co)  
DE: [support.de@parisrhone.co](mailto:support.de@parisrhone.co)  
UK: [support.uk@parisrhone.co](mailto:support.uk@parisrhone.co)  
IT: [support.it@parisrhone.co](mailto:support.it@parisrhone.co)  
FR: [support.fr@parisrhone.co](mailto:support.fr@parisrhone.co)  
ES: [support.es@parisrhone.co](mailto:support.es@parisrhone.co)

Manufacturer: Shenzhen Danya Technology Co.,Ltd.  
Address: Room 3323,Building C,Galaxy World Phase II ,Minle  
Community,Minzhi Street,Longhua District,Shenzhen,  
Guangdong,China



Made in China



[www.parishone.co](http://www.parishone.co)