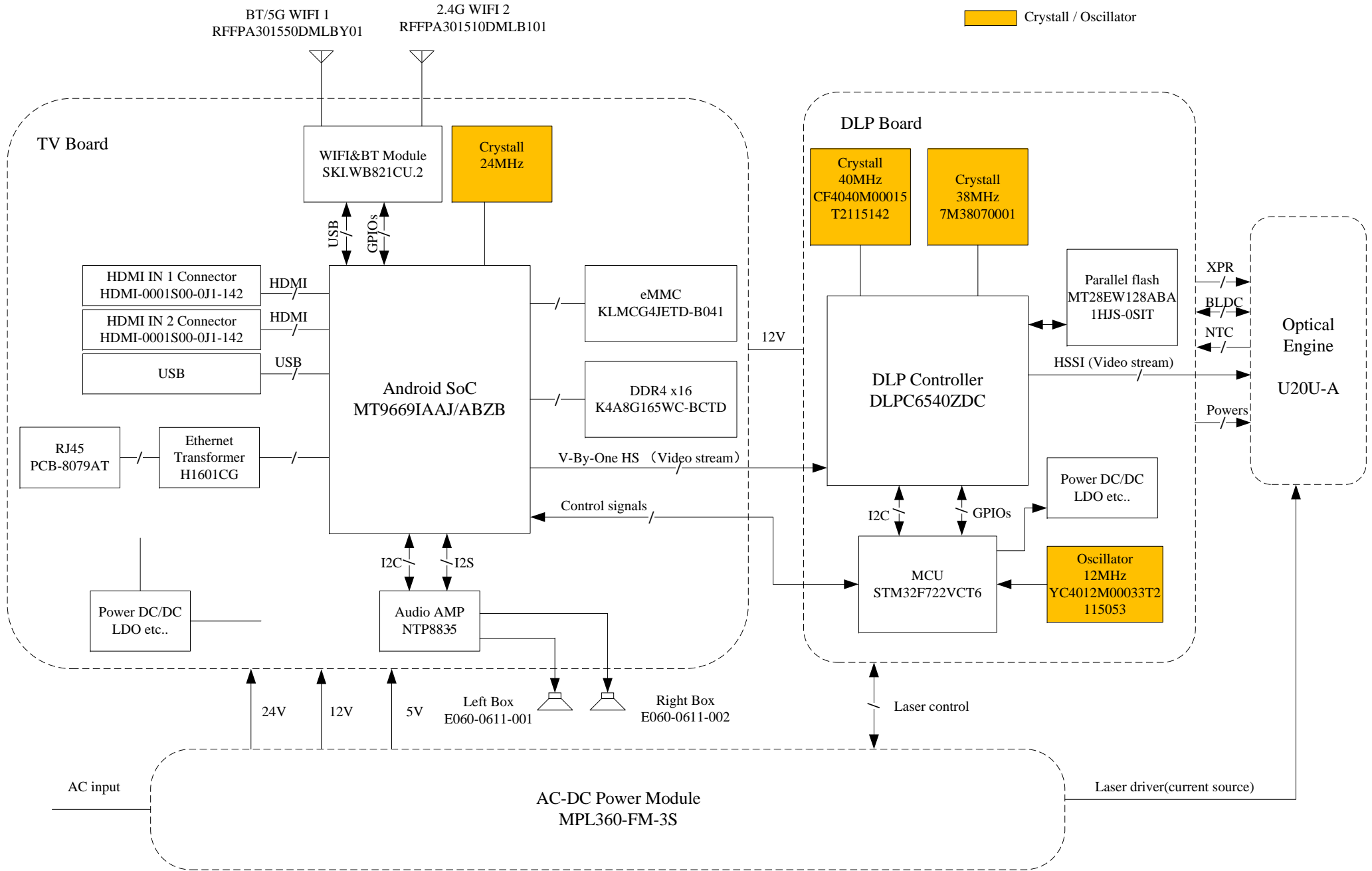
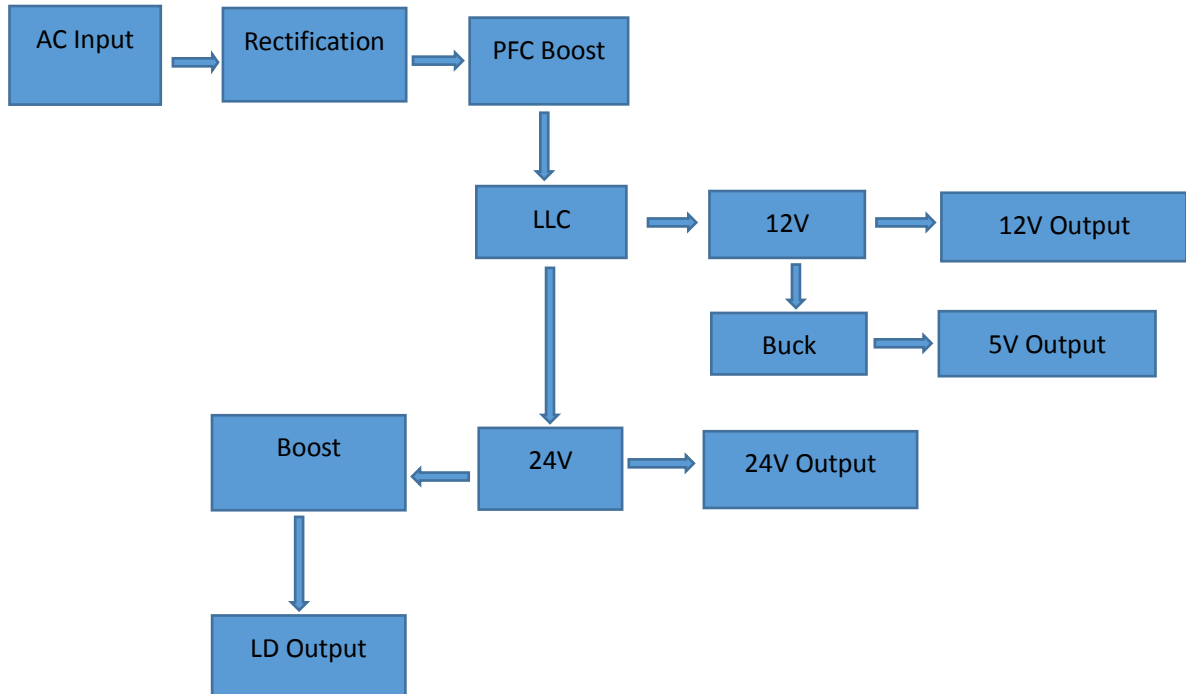
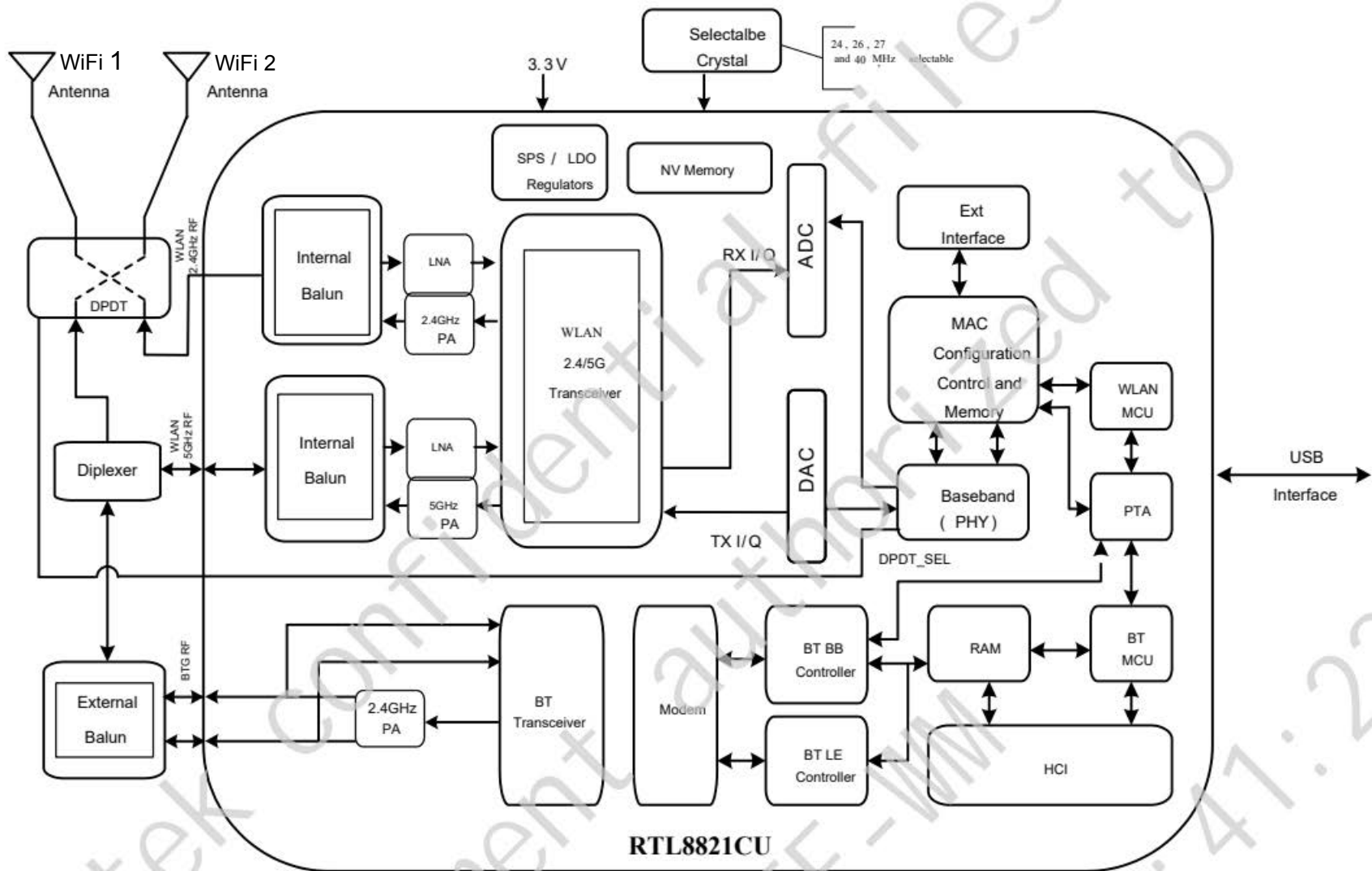


PE-LT002_Block Diagram



MPL360-FM-L1-TH_Power Board_Block Diagram





RTL8821CU

Wireless Module SKI.WB821CU.2 Block Diagram