

Aeye-P4

USER GUIDE

J A D E B I R D V I S I O N

Dear Aeye-P4 users

Thank you for choosing Jadebird Vision Aeye-P4
For your convenience, please read the instructions carefully and follow the steps in the steps
Please keep the manual properly.
Please contact us if you have any problem.

Jadebird Vision Team



Visit Jadebird Vision website
www.jadebirdvision.com Get more information

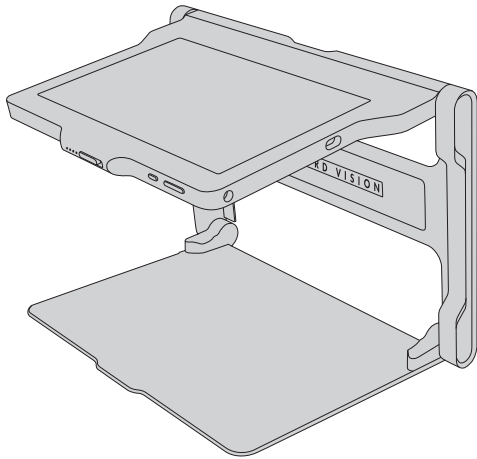
Table of Contents

• Product List	P1
• Package Components	P2
• Instructions	P3
• Usage Scenarios	P7
• Specifications	P11
• Safety Notification	P12

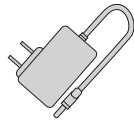
Please visit the official website for more information
[Http://www.jadebirdvision.com/](http://www.jadebirdvision.com/)

Product List

1 Smart vision aid



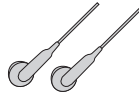
2 Power adapter



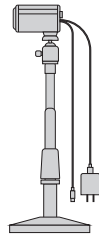
3 Wide angle lens



3 Earphones



6 Distance camera and accessories (not standard)



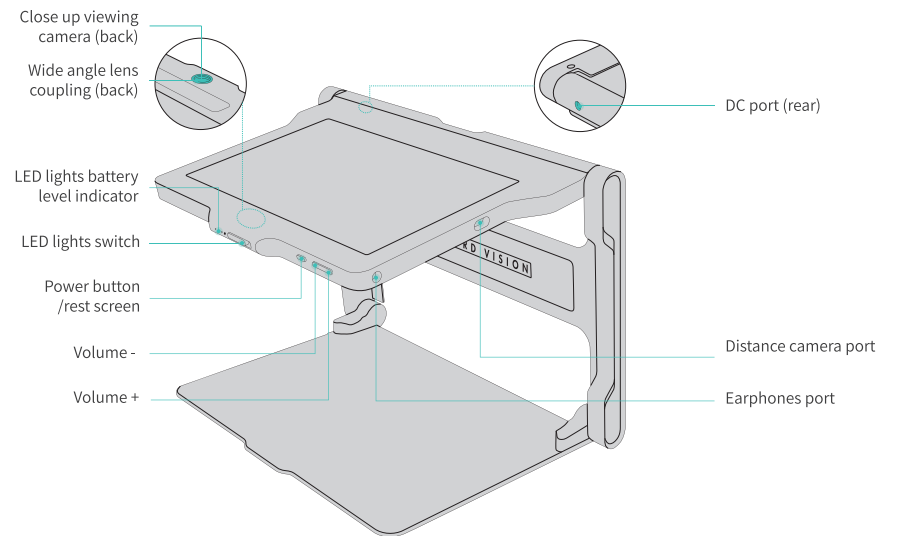
4 Cleaning cloth



JADEBERD VISION P1

Package Components

Buttons and interfaces

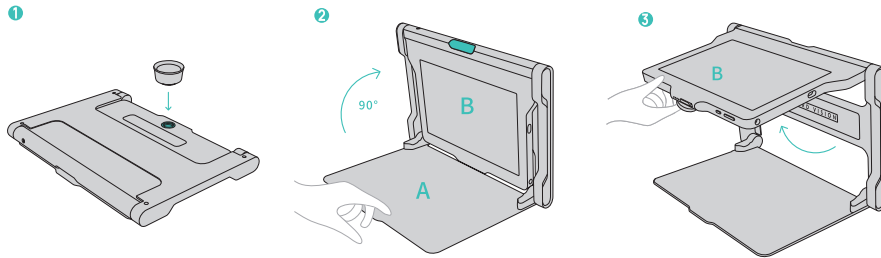


P2 JADEBERD VISION

Instructions

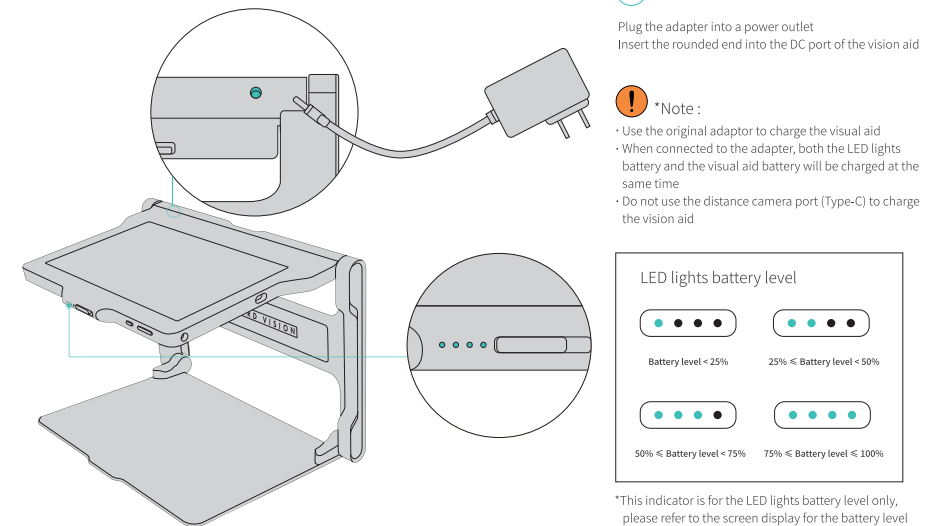
How to open

- 1 Place the vision aid flat on the table as shown and assemble the wide angle lens by screwing it clockwise if you want to use it.
- 2 Press down on the bottom panel A with one hand and push up the screen panel B by 90° with the other hand.
- 3 Pull up the screen panel B by hand to a comfortable visual angle and access the distance camera (if available).



Instructions

Charging



Instructions

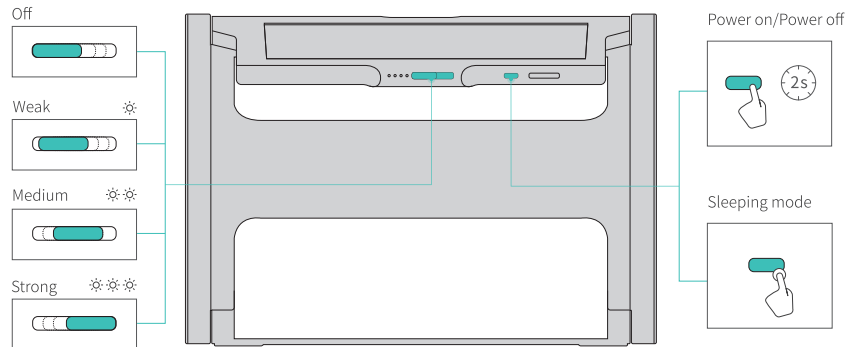
Power on/off, Sleeping mode, LED lights

***Power on** : Press and hold the power button for 2 seconds to start the system

***Power off** : Press and hold the power button for 2 seconds, the system will prompt whether to shut down the system, select confirm, the system will shut down

***Sleeping mode** : In the power-on state, press the power button or fold the visual aid, the visual aid system automatically enters the screen sleeping mode

***LED lights** : by toggling the LED lights switch, you can turn on and adjust the brightness of the LED light, with three brightness adjustments

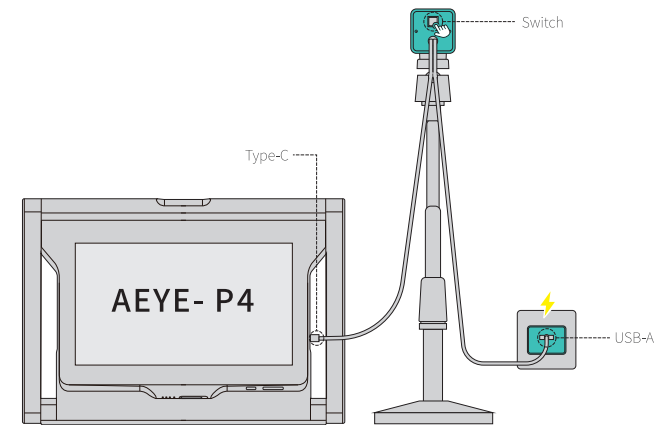


Instructions

Distance camera (not standard)

- 1 Plug the USB-A end of the distance camera power cable into the adapter
- 2 Plug the Type-C end of the distance camera cable into the distance camera port
- 3 Turn on switch of the distance camera to use

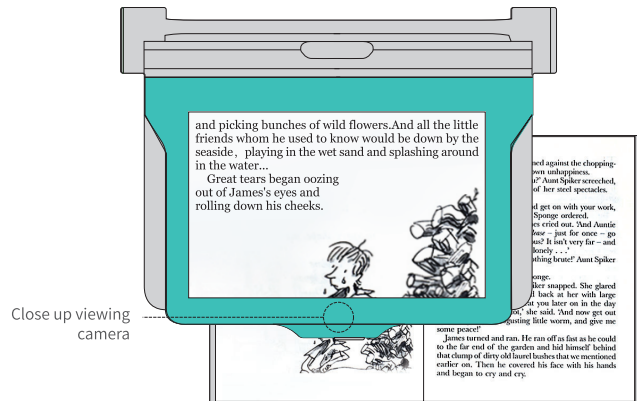
! Note: It is recommended to turn off the distance camera when the screen is on Sleeping mode to reduce the standby power consumption of the visual aid.



Usage Scenarios

Close up viewing camera mode: desktop reading/writing

*Close up viewing camera mode mainly for desktop book reading/writing with up to 20x magnification of text content



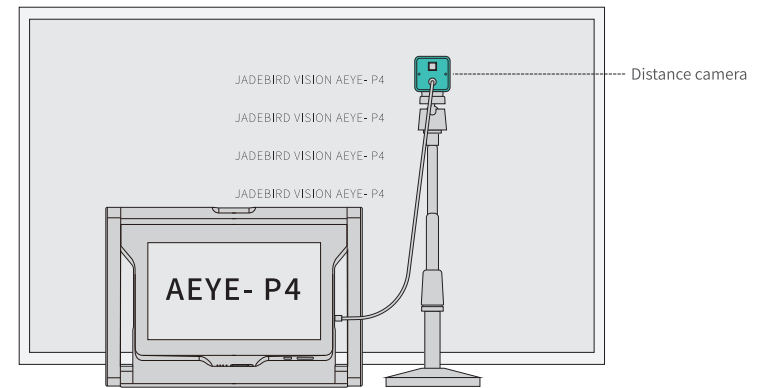
*Simplified illustration only

Usage Scenarios

Distance camera mode: blackboard viewing

*Distance camera mode can be used for viewing blackboard information, with its powerful optical zoom function allowing graphic information from up to 10 meters away to be displayed clearly on the screen.

*Steps to use: first of all, you can adjust to the best field of view by optical zoom, and then adjust the content of the image by digital magnification.

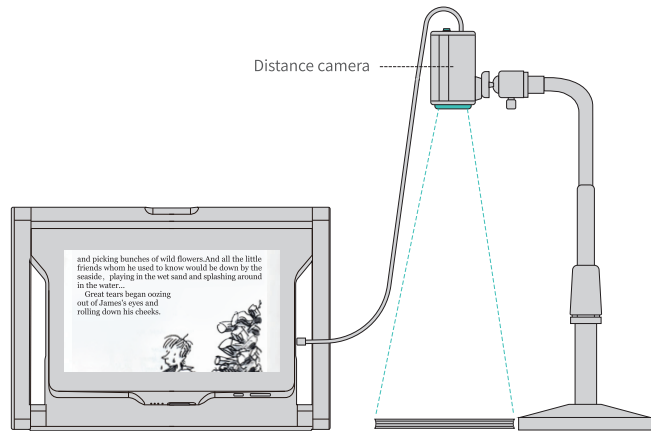


*Simplified illustration only

Usage Scenarios

Distance camera mode: desktop reading/writing

- *The use of a distance camera allows for better desktop reading/writing with a larger field of view and manoeuvrability.
- *The distance camera angle can be adjusted in conjunction with the image rotation function in distance camera mode for optimum use.

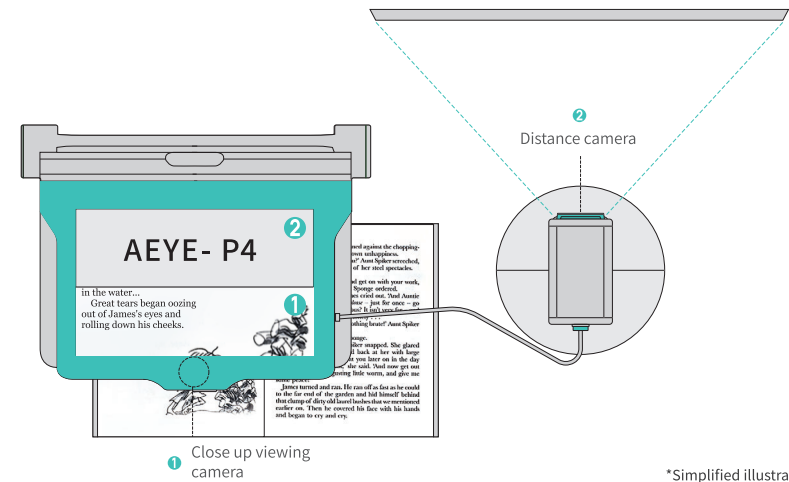


*Simplified illustration only

Usage Scenarios

Dual screen mode: blackboard viewing, desktop reading/writing

- *Dual screen mode for simultaneous reading of blackboard and desktop book information



*Simplified illustration only

Specifications

Screen type: LCD

Screen size: 10.1" FHD

Screen resolution: 1920*1200

Battery capacity of the vision aid: 3.7V/6000mAh

Battery life of the vision aid: 3 hours

(The battery life varies greatly under different modes, so the data is for reference only)

Charging time for the vision aid: 3.5 hours (switched off)

LED lights battery type: 18650 lithium ion battery

LED lights battery capacity: 5200mAh

LED lights battery life: weak (30 hours)

medium (25 hours) strong (20 hours)

ROM: Nand Flash 64GB

Close up viewing camera: 13.0 MP

Distance camera (not standard): optical zoom

WiFi: WIFI 802.11a/b/g/n-Ac

Bluetooth: BT 4.2

Earphone Port: 3.5mm standard earphone port

Power adapter: Input: 110V-220V 50Hz/60Hz

Output: DC 5.5V/3A

Magnification: close up viewing camera mode: 1-20x

Safety Notification

- Jadebird Vision makes no claims about the suitability of the Aeye-P4 for any particular event.
- Use of non-original equipment, accessories or software may cause unforeseen functional problems, resulting in damage to the product, which may result in personal injury to you or others.
- The product uses lithium batteries, please do not disassemble the equipment, do not expose the batteries to hot, humid or corrosive environments.
- Do not expose products and accessories to rain, high humidity, dust or other airborne contaminants.
- Do not expose the product and accessories to excessive temperatures (over 60°C) (e.g. hair dryers, microwave ovens or strong direct sunlight).
- Do not use this product in areas where radio equipment is prohibited, or request authorization for use from the relevant area manager.
- Turn off the power when you stop using the product.
- The product will generate some heat during normal operation, please give the product enough space to dissipate heat, if the product is too hot, please turn off the machine and suspend it for a period of time before use.
- Initial use of the product requires a certain amount of time for training, so please take it step by step to improve your proficiency.
- If you feel tired or uncomfortable, please take a break.
- Do not heat, open, puncture, damage or repair any battery, and do not allow liquid to come into contact with skin or eyes when a battery leaks; if contact occurs, flush the affected area with plenty of water and seek medical attention immediately.
- Do not put the product in liquid or flush with liquid.
- Do not over-bend, knot or damage the data cable or charging cable.
- If you notice strange smells or sounds from products and accessories, please stop using them immediately and contact Jadebird Vision as soon as possible.
- This product emits electromagnetic waves that may affect nearby electronic devices, including pacemakers, hearing aids, defibrillators.
- If you are using a pacemaker or other implanted medical device, please consult your doctor or device manufacturer before using this product.

FCC Statement

This equipment has been tested and found to comply with the limits for a Class B digital device, pursuant to part 15 of the FCC Rules. These limits are designed to provide reasonable protection against harmful interference in a residential installation. This equipment generates, uses and can radiate radio frequency energy and, if not installed and used in accordance with the instructions, may cause harmful interference to radio communications. However, there is no guarantee that interference will not occur in a particular installation. If this equipment does cause harmful interference to radio or television reception, which can be determined by turning the equipment off and on, the user is encouraged to try to correct the interference by one or more of the following measures:

- Reorient or relocate the receiving antenna.
- Increase the separation between the equipment and receiver.
- Connect the equipment into an outlet on a circuit different from that to which the receiver is connected.
- Consult the dealer or an experienced radio/TV technician for help.

Caution: Any changes or modifications to this device not explicitly approved by manufacturer could void your authority to operate this equipment.

This device complies with part 15 of the FCC Rules. Operation is subject to the following two conditions:

(1) This device may not cause harmful interference, and (2) this device must accept any interference received, including interference that may cause undesired operation.

RF Exposure Information

This equipment complies with FCC radiation exposure limits set forth for an uncontrolled environment.

This equipment should be installed and operated with minimum distance 25mm between the radiator and your body.

J A D E B I R D V I S I O N

Copyright © Jadebird Vision 2021. All rights reserved.
This material is for informational purpose only and does not constitute a commitment of any kind.
Please refer to the actual product (including but not limited to colour, size, etc.).
The company reserves the right to change product data without prior notice.