

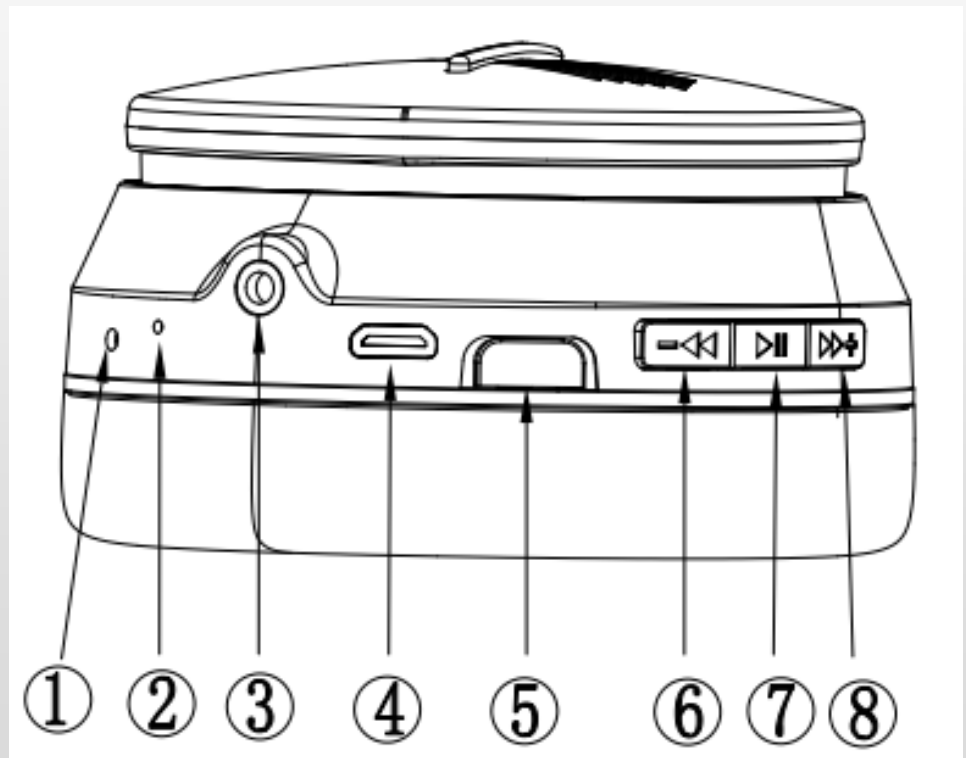
---

# Instructions



## Note 1. Function indication

1. Bluetooth noise reduction status indicator
2. Microphone
3. Audio socket
4. Charging socket
5. Noise reduction toggle switch
6. “-” key, volume decrease / previous song
7. “▶||” Pause / play key
8. “+” key, volume increase / next song



## Note 2、 Operating instructions (Upper part)

### 1. Bluetooth power on and power off

- Startup: in the shutdown state, long press the pause / play key, and red and blue flash alternately
- Power off: in the power on state, long press the pause / play key, and the indicator light goes out

### 2. Pairing mobile phones or other products

- In the power on state, wait for the red and blue lights to flash alternately, and the headset enters the pairing mode to turn on the Bluetooth switch of the mobile phone or other products
- Search the Bluetooth pairing name "jh-anc809" and click Connect
- The Bluetooth connection status indicator turns blue and is always on, and there is a prompt tone for successful pairing
- The headset remembers the current device and automatically pairs when used for the second time

### 3. Music playing

- Click the pause / play key to pause / play music,
- Click the "plus" button to increase the volume by one grid
- Long press the "plus" key to switch to the next song
- Click the "minus" button to reduce the volume by one grid
- Long press the "minus" key to switch to the previous song

### 4. Voice assistant: three click pause / play key to wake up the voice assistant

## Note 2、Operating instructions (Lower part)

### 5. Call

- When an incoming call is received, click the pause / play key to connect the incoming call
- When the call ends, click the pause / play key to end the call
- When the last number is redial, double-click the pause / play key to call back the last call number of the mobile phone
- Rejection; When calling, long press the pause / play key to reject the current call

### 6. Noise reduction on and off

- Noise reduction on: when the noise reduction is off, turn the noise reduction switch and the green light flashes slowly
- Noise reduction off: when the noise reduction is on, turn the noise reduction switch and the green light goes out

### 7. Charging

- When the headset indicates low battery, turn off the headset for charging
- Connect micro charging port and adapt 5V power supply
- Connect the headphone charging socket
- When charging: the charging indicator is red
- Charging completed: the charging indicator is off

### 8. Wired function

In the on / off state, one end of the sound source cable is inserted into the headphone sound source jack, and the other end is inserted into the audio output port of the mobile phone or other products

### Note 3. Earphone parameters

1. Chip model: ac6955f

Bluetooth version: v5.0

Battery: 400 Mah

Charging time: 2h

Working time: 18h-20h (noise reduction off) 10h-12h (noise reduction on)

Connection distance:  $\geq$  10m

Frequency response range: 20Hz-20KHz

Charging port: Micro USB

Charging output: DC 5V & 1A

### Note 3. About Bluetooth communication (Upper part)

- The operating range of Bluetooth wireless technology is within 10m. Depending on the visual barrier (human body, metal, wall, etc.) or electromagnetic environment, the maximum communication range may change
- Under the following conditions, Bluetooth communication may be interrupted, or noise or audio signal loss may occur
  - There is someone between this computer and Bluetooth device
  - There are metal or wall obstacles between this machine and Bluetooth device
  - There are Wi-Fi equipment, cordless telephone, microwave oven and other equipment using 2.4GHz frequency near the machine
- Since the Bluetooth device and Wi-Fi use the same frequency (2.4GHz), if the machine is used near the Wi-Fi device, microwave interference may occur, resulting in noise or loss of audio signal, or communication interruption. In this case, do the following.
  - Use the machine at least 10m away from Wi-Fi equipment
  - If the machine is used within 10m from the Wi-Fi equipment, please turn off the Wi-Fi equipment
  - Place the machine and Bluetooth device as close to each other as possible

### Note 3. About Bluetooth communication (**Lower part**)

- Microwaves emitted from Bluetooth devices may affect the operation of electronic medical devices. In the following places, please turn off this machine and other Bluetooth devices, otherwise accidents may occur
  - Place where flammable gas is stored, hospital or gas station
  - Near automatic door or fire alarm bell
  - When using this machine on the aircraft, be sure to use the attached headphone cable
- Due to the characteristics of wireless technology, the sound played on the machine is delayed compared with the sound and music played on the transmitting device. Therefore, when watching a movie or playing a game, the image and sound may not be synchronized
- we are not responsible for information leakage during Bluetooth communication
- connection to all Bluetooth devices cannot be guaranteed

#### About charging the machine

- Do not turn on the unit during charging

## **FCC Warning:**

This equipment has been tested and found to comply with the limits for a Class B digital device, pursuant to part 15 of the FCC Rules. These limits are designed to provide reasonable protection against harmful interference in a residential installation. This equipment generates, uses and can radiate radio frequency energy and, if not installed and used in accordance with the instructions, may cause harmful interference to radio communications. However, there is no guarantee that interference will not occur in a particular installation. If this equipment does cause harmful interference to radio or television reception, which can be determined by turning the equipment off and on, the user is encouraged to try to correct the interference by one or more of the following measures:

- Reorient or relocate the receiving antenna.
- Increase the separation between the equipment and receiver.
- Connect the equipment into an outlet on a circuit different from that to which the receiver is connected.
- Consult the dealer or an experienced radio/ TV technician for help.

This device complies with part 15 of the FCC Rules.

Operation is subject to the following two conditions:

- (1) This device may not cause harmful interference, and
- (2) This device must accept any interference received, including interference that may cause undesired operation.

Changes or modifications not expressly approved by the party responsible for compliance could void the user's authority to operate the equipment.

## **FCC RF warning statement:**

The device has been evaluated to meet general RF exposure requirement.

The device can be used in portable exposure condition without restriction