



深圳市宸兴电子技术有限公司

Shenzhen Chenxing Electronic Technology Co., Ltd.

产品规格书

PRODUCT SPECIFICATION FOR APPROVAL

客户名称: CUSTOMER	航车宝
产品名称: PRODUCT NAME	Power Transmitter A11
物料编码: PART No.	HXX01
产品规格: PRODUCT SPEC	Inductance Spec: 6.5uH±10% Shielding spec:43.5*5.3*1 with two grooves Silk covered wire spec: 2 UEW/155 0.07*100*10Ts Segment Length: 60mm Double side Type (front side + back side)
日期: DATE	2024/07/19
版本型号: VERSION	REV 1.0

版本 Revision	变更内容 Modified Content	责任人 Principle	日期 Date	备注 Note
REV 1.0	首次发布	薛磊	2024-07-19	

制定/PREPARED BY	审核/CHECKED BY	核准/APPROVED BY
李小云	周小菊	

客户认可签名及盖章 Authorized signature & company chop		
---	--	--

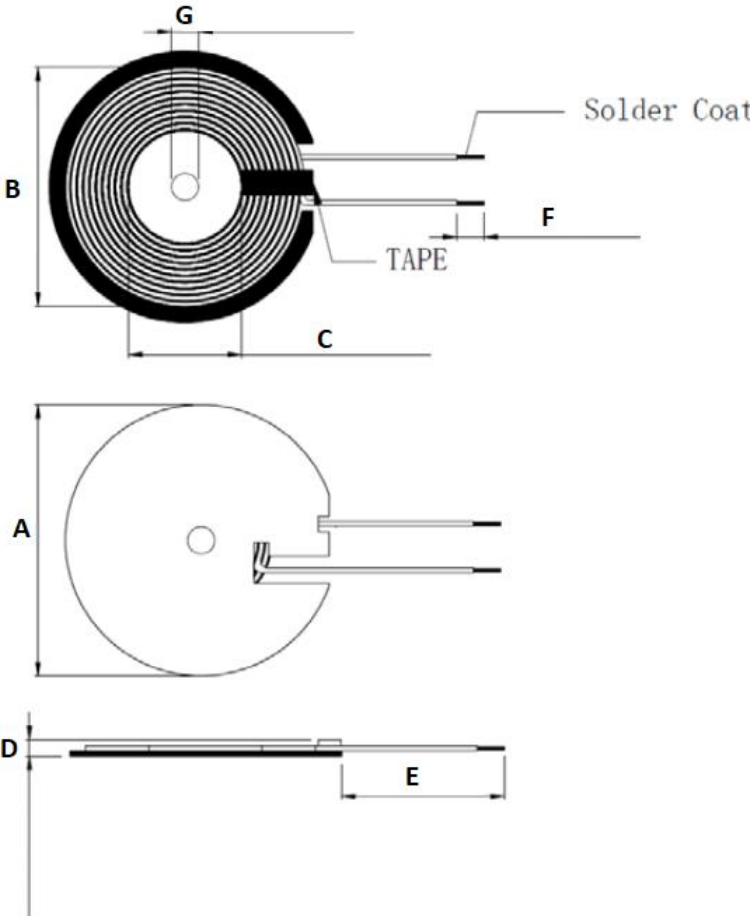
附上的是产品规格书, 有任何疑问, 请及时反馈给我们, 谢谢!

Shenzhen Chenxing Electronic Technology Co., Ltd.
5th Floor, Building 1, Xinkecheng Technology Industrial Park, No. 51 Dabao Road, Xin'an Street,
Bao'an District, Shenzhen, China



产品规格 SPECIFICATION

一、Mechanical Specification:

	Shielding Outer Diameter (A)	43.5±0.5mm
	Shielding Inner Diameter (G)	5±0.3mm
	Coil Outer Diameter (B)	40±1mm
	Coil Inner Diameter (C)	20.5±0.5mm
	Total Thickness (D)	<2.1mm
	Segment Length (E)	60mm±3mm
	Pin Length (F)	3±1mm
	Shielding Thickness	0.95±0.05mm
	Shielding Shape	Circle with two grooves
	Adhesive Tape	Double side Type (front side + back side)



深圳市宸兴电子技术有限公司

Shenzhen Chenxing Electronic Technology Co., Ltd.

二、Schematic:



三、Coil Parameter:

端子 TERMINAL		线径 WIRE	圈数 Turns	绕线方向 Winding Direction
S	F	2UEW/ 0.07*100P	10Ts	CCW

四、Electrical Specification:

温度 TEMPERATURE:25±10°C, 湿度 RELATIVE HUMIDITY:65±20%

项目 ITEM	端子 TERMINAL	标准 SPECIFICATION	测试条件 TEST FREQUENCY	测试仪器 TEST EQUIPMENTS
IND.	S-F	L: 6.5uH±10%	100KHz/1.0V	LCZ METER 1062B

We statement that All measurements were performed radiated and therefore additional antenna gain documentation is not required.

Shenzhen Chenxing Electronic Technology Co., Ltd.
5th Floor, Building 1, Xinkecheng Technology Industrial Park, No. 51 Dabao Road, Xin'an Street,
Bao'an District, Shenzhen, China