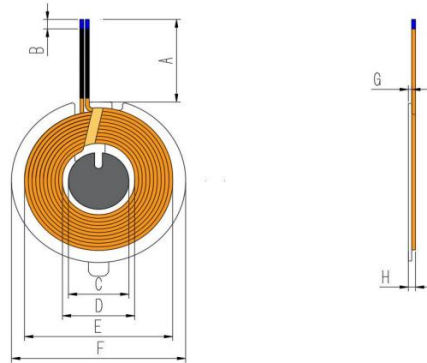


# Antenna Information

1. Manufacturer's name: Han Wen TECHNOLOGY LTD
2. manufacturer's address: No. 108 Chonghuan West Road, Shijie Town, Dongguan City,, Guangdong Province
3. Antenna model name: Y.013.00210
4. Antenna Gain:Only radiated measurements are used to show compliance with FCC limits for fundamental and spurious emissions.
5. Number of turns: 11
6. Antenna size:

1. Antenna size (Unit: mm):



A	B	C(小磁片U槽)	D	E	F (大磁片)	G磁片厚)	H (磁片加线圈总厚度)
39±1	2±1	18±0.5	21.5±0.5	39±0.5	42.4±0.4	0.8±0.05	1.85±0.05(不含离型纸)