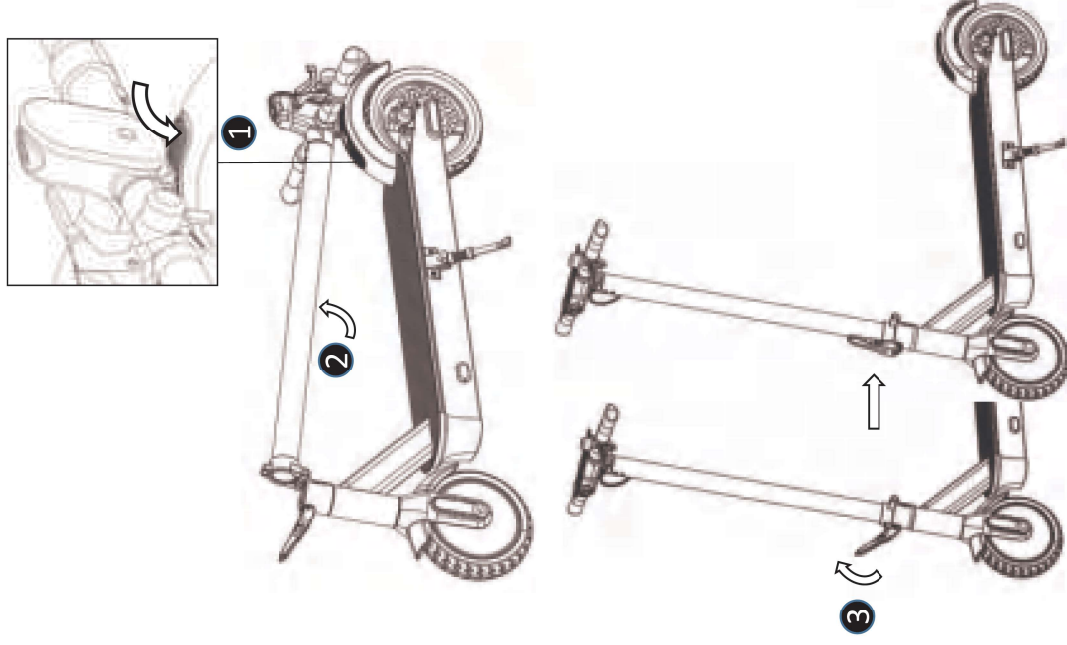


## Unfolding the Scooter

1. Press down the hook fixing plate to have the fixation hook released.
2. Lift up the front tube.
3. Lock the folding lever.



## Connecting your e-scooter with APP

Please scan following QR code to download instructions.



# VI. Troubleshooting Method

The Introduction and Arrangement of Fault Code	
Fault Code	Introduction
0E	Low battery
1E	Over charge the battery
2E	Controller failure
3E	Over temperature on controller, start the protection program
4E	Signal line may be loosen or dropped
5E	Loose connection between motor and controller
6E	Accelerator failure
7E	Brake system failure

## The Introduction and Arrangement of Fault Code

Fault Code	Introduction	Arrangement
0E	Low battery	Fully charge the battery
1E	Over charge the battery	Remove the charger. Please contact an authorized service center if the fault code is still not eliminated.
2E	Controller failure	Please contact an authorized service center.
3E	Over temperature on controller, start the protection program	Please do not use the scooter for the time being. Wait until the temperature drops and try again.
4E	Signal line may be loosen or dropped	Please contact an authorized service center.
5E	Loose connection between motor and controller	Please contact an authorized service center.
6E	Accelerator failure	Please contact an authorized service center.
7E	Brake system failure	Please contact an authorized service center.

## The Introduction and Arrangement of Fault Code

8E	Over current, start the protection program	Stop the scooter and re-start later. Please contact an authorized service center if the fault code is still not eliminated.
9E	Motor Locked Rotor	Stop the scooter and re-start later. Please contact an authorized service center if the fault code is still not eliminated.

## The battery does not charge

Arrangement method:

1. The plug is not proper inserted.
2. The charger is damaged, use new charger.
3. The battery wring is loose, re-connect the terminals.

## Insufficient mileage after charging

Arrangement method:

1. Insufficient charging, fully charge the battery.
2. Uphill and heavy headwinds, heavy load, poor road surface and low temperature.
3. The terminal's connected between battery and charge port are loosen, re-connect the terminals.

## Speed is too low

Arrangement method:

1. The battery voltage is too low, fully charge the battery.

## The brake is not working

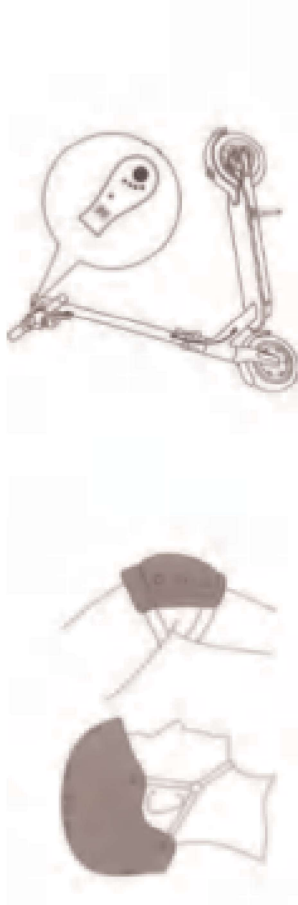
Arrangement method:

1. The brake cable is too long, re-tighten the brake cable.
2. If the brake pad is damaged, replace the original one.

**Note:** When malfunction is detected, please contact an authorized service center. Do not repair or modify scooter by yourself, this can cause guarantee limitations and injuries.

## VII. RIDE AND SAFETY

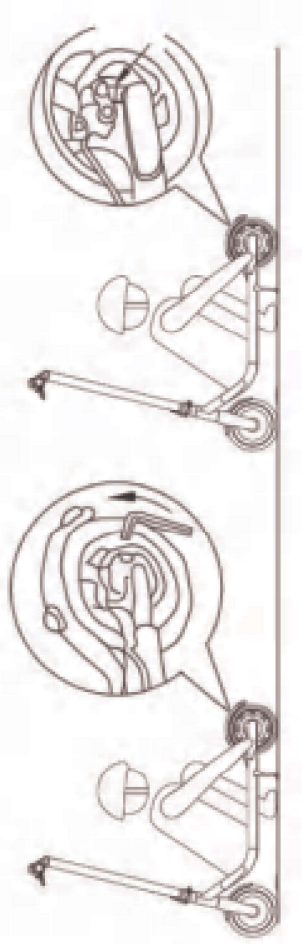
A learning process is necessary for the use of this device. A use of it without a correct learning process can cause injuries. Use protections to prevent damage. Once you complete these steps you can turn on the electric scooter:



### BRAKE ADJUSTMENT

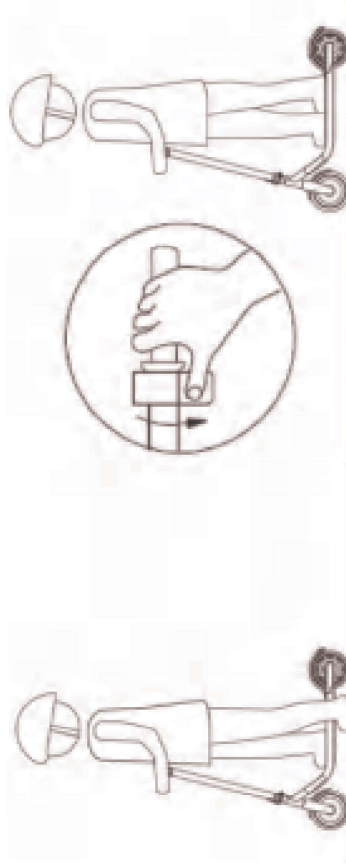
Before every ride check brakes. If you feel the brake is too tight, use the hex wrench counterclockwise to loosen the screws on the pressure plate on the disc brake seat, release the brake line to shorten slightly the exposed length and tighten the screws of the pressure plate. If you feel that the brake is too loose, release the screws on the pressure plate, drag the brake cable to slightly lengthen the length and then lock the screws on the pressure plate.

**WARNING!** When hard braking, you risk serious injury due to loss of traction and falls. Maintain a moderate speed and look out for potential hazards.



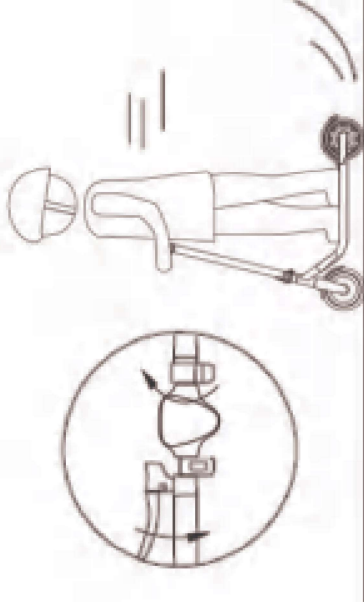
## USE

Keep one foot on the board and one foot on the ground. Immerse yourself with your foot on the ground, when the speed reach to 3km/h start accelerating. Keep another foot on the board and accelerate appropriately or maintain a certain speed. This action is necessary to start the march, for your safety.



## CONSTANT SPEED

If you keep the accelerator pressed, the speed will be fixed, for greater comfort of travel. To cancel this function please activate the brake.



Look for the equilibrium posture to circulate constantly:

