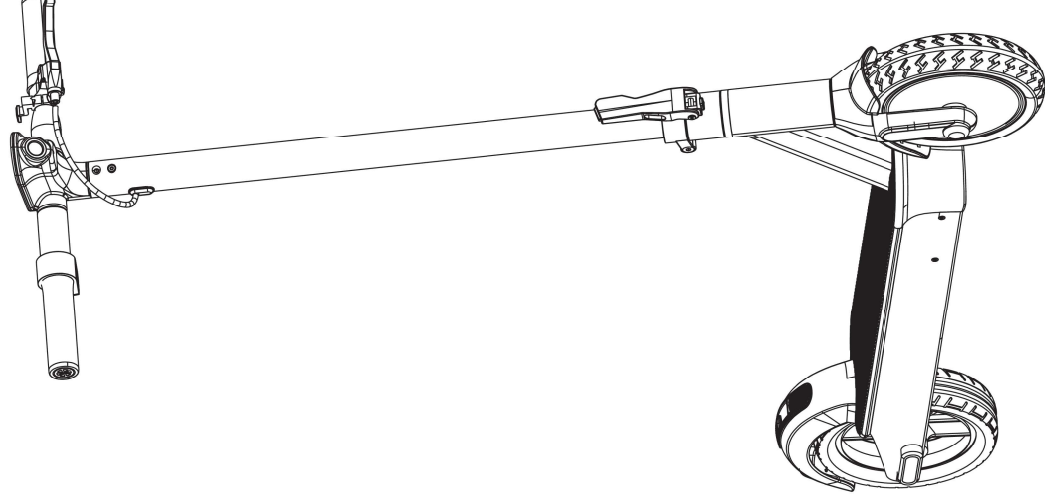


xplover



User Manual

Manuel d'utilisation

Manuale utente

Manual del usuario

Gebruikershandleiding

Uživatelská příručka

Használati utasítás

Podręcznik użytkownika

Korisnički priručnik

使用手冊



iOS

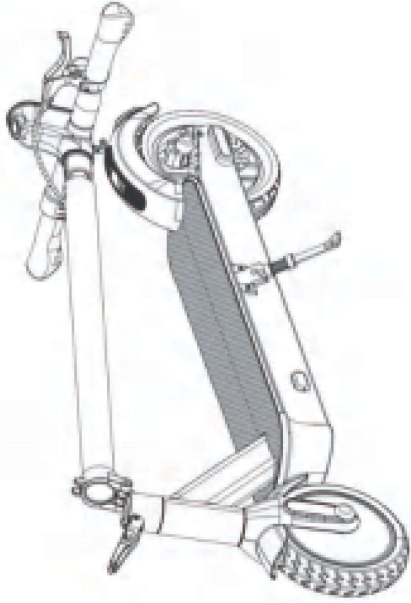


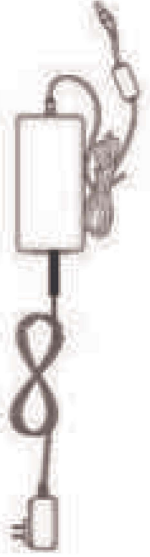



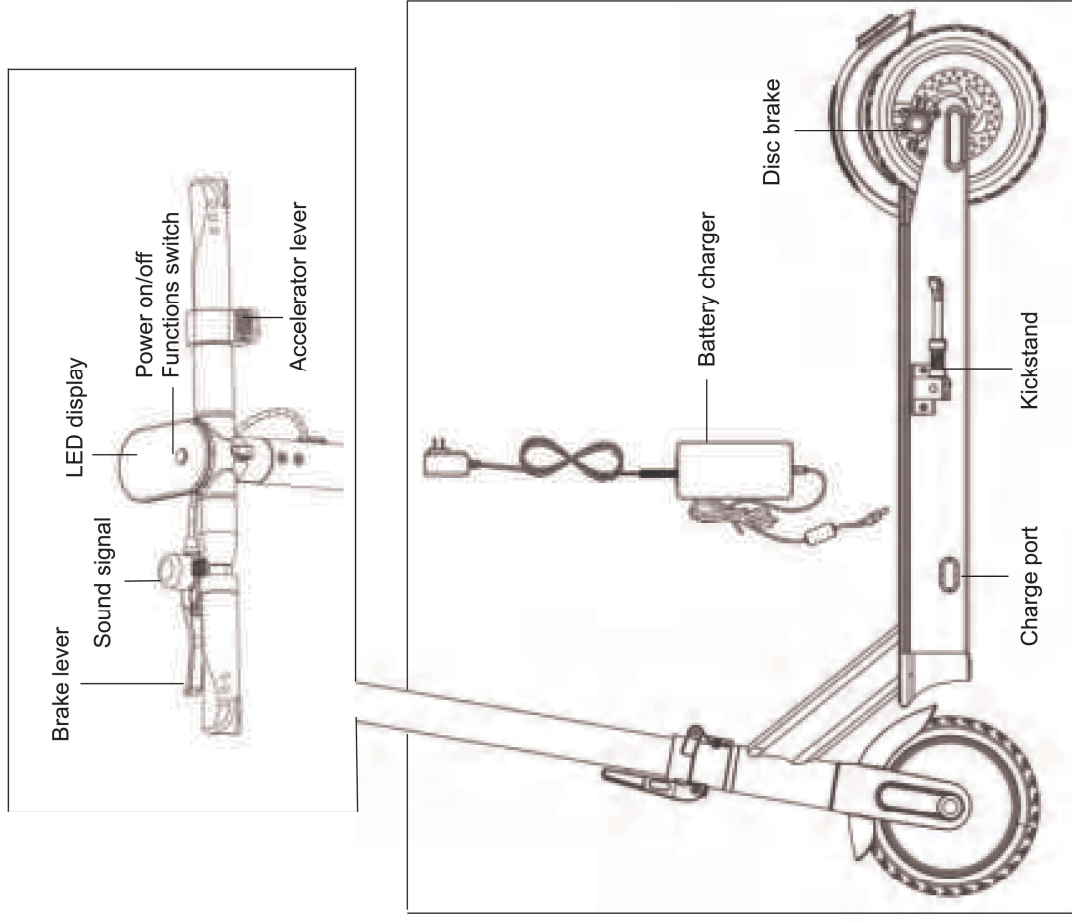
Android

Xplover Lightning 5
XES015

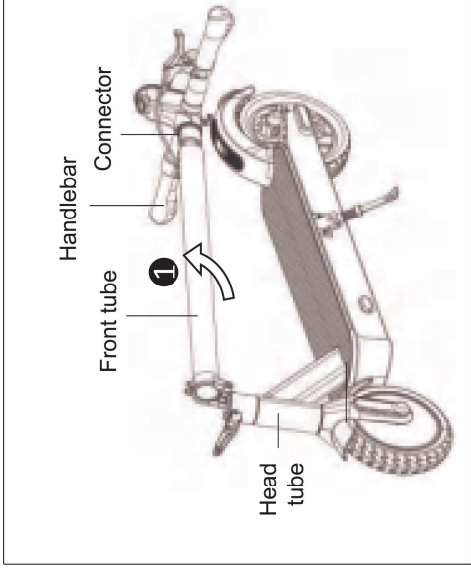
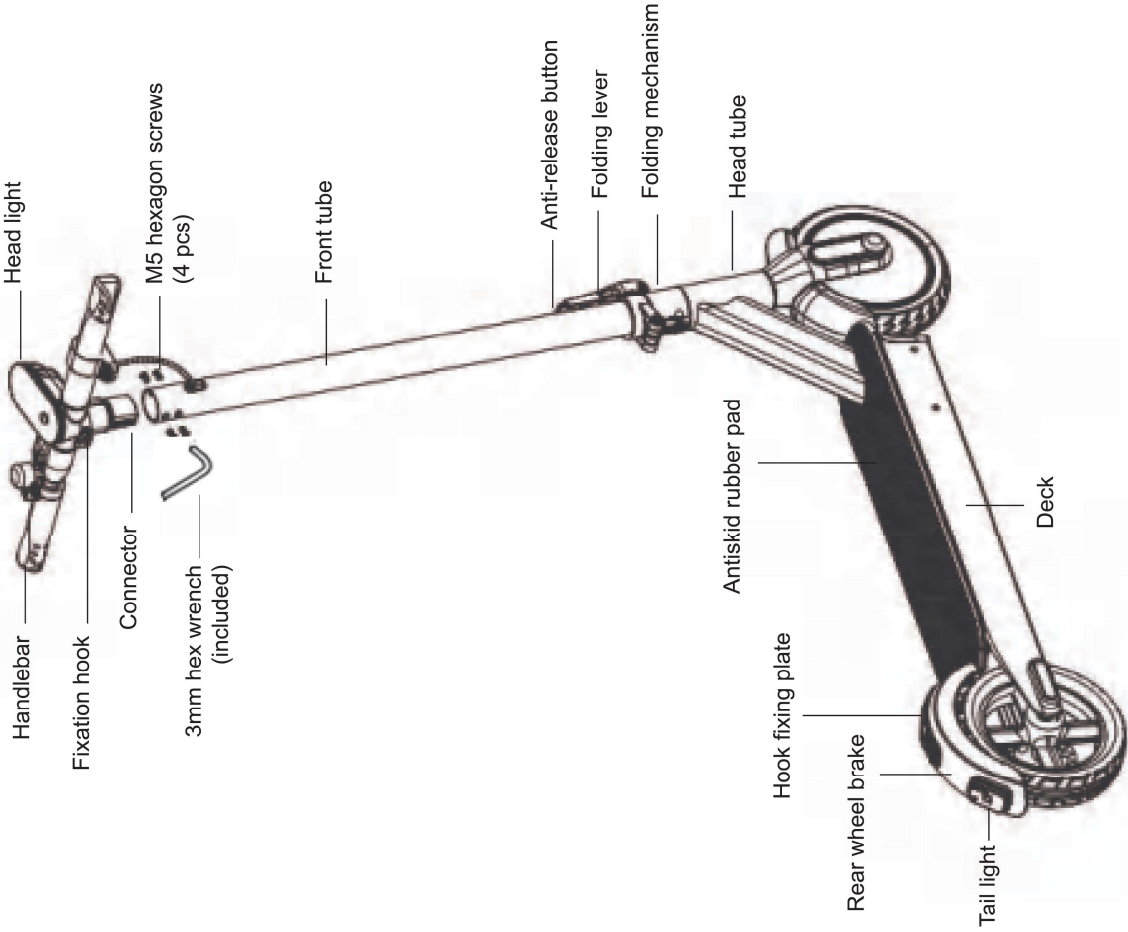
I. Inbox Content

II. Parts

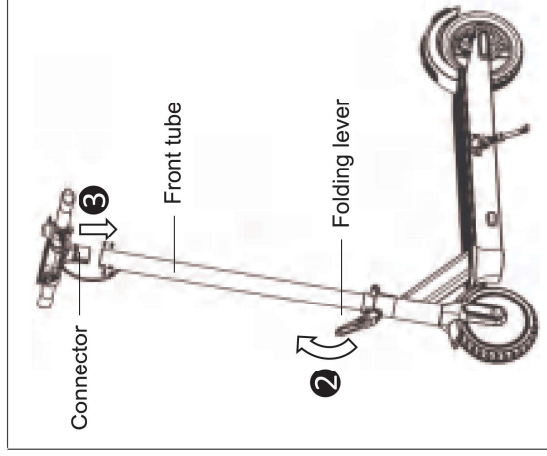
Scooter *1	
3 mm hex wrench *1	
Owner manual *1	
Battery charger *1	
M5*14L countersunk screw *4 PCS	



III. Assembling

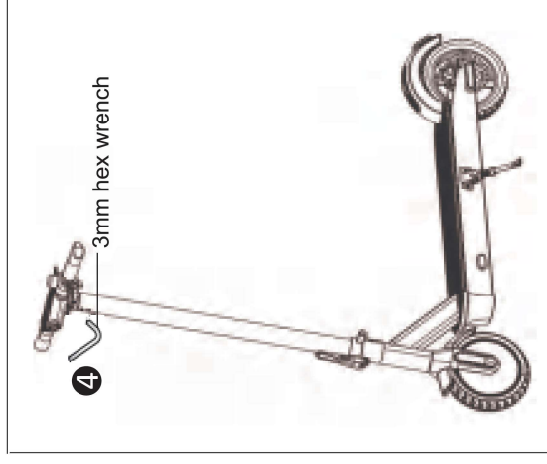


1 Lift up the front tube along with connector and handlebar, level with head tube.



2 Lock the folding lever.

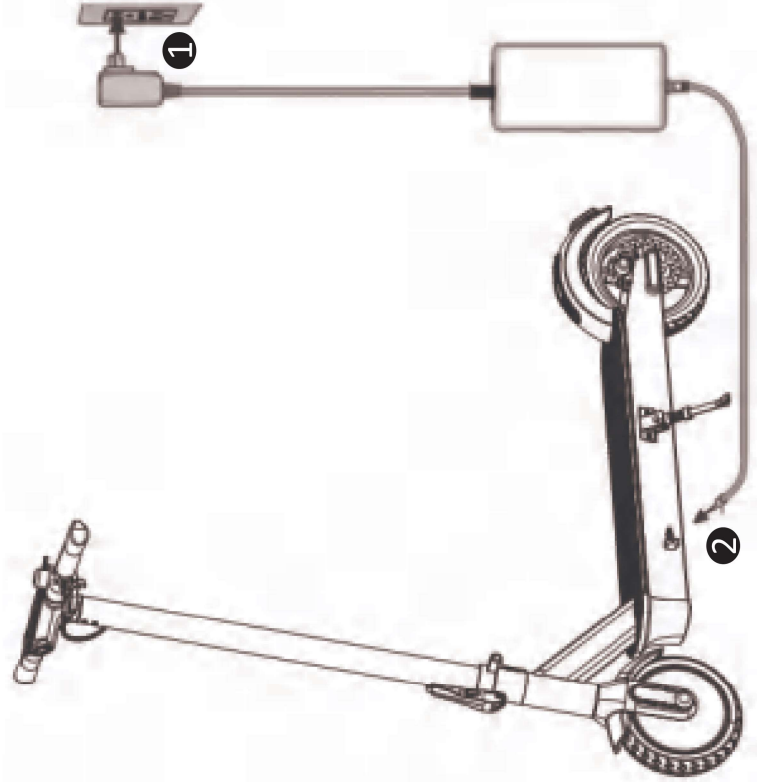
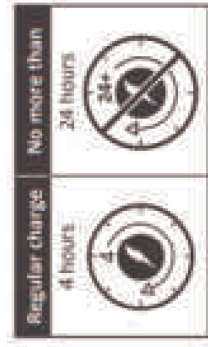
3 Insert the connector to the front tube.



4 Tighten all the 4 hexagon screws on the front tube by the 3mm hex wrench included.

IV. Charge the Battery

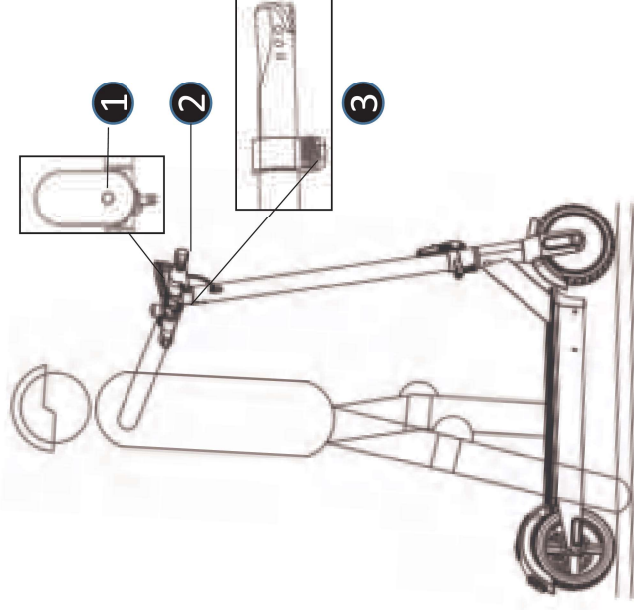
Note: The charger light is **red** when charging and turns **green** when charging is complete.



V. USE

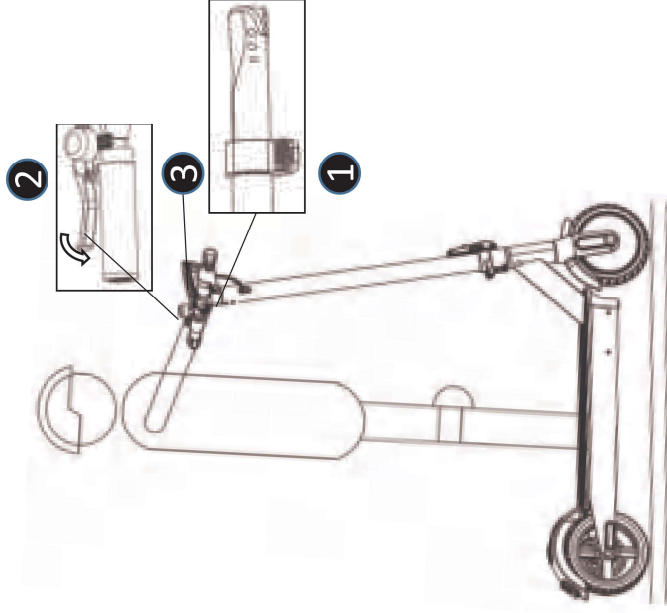
Starting the scooter

1. Press and hold the power button in for 3 seconds to turn the scooter on. Press power button shortly once for light on/off. Press power button continuously for twice to switch speed regulations. Press power button continuously for 3 times to switch between km/h & mp/h.
2. Grip handlebars firmly with both hands.
3. Step on deck with one foot, kick against the ground with the other foot to assist to speed up, and press the accelerator lever gently.
4. Step both feet on the deck after starting.



Stopping the scooter

1. Release the accelerator lever
2. Brake by pressing down on the front hand brake lever.
3. Press the power button off when not in use.



Folding the Scooter

1. Press down anti-release button.
2. Unlock folding lever.
3. Fold back the front tube and lock the fixation hook to the fixing plate on rear wheel brake.

