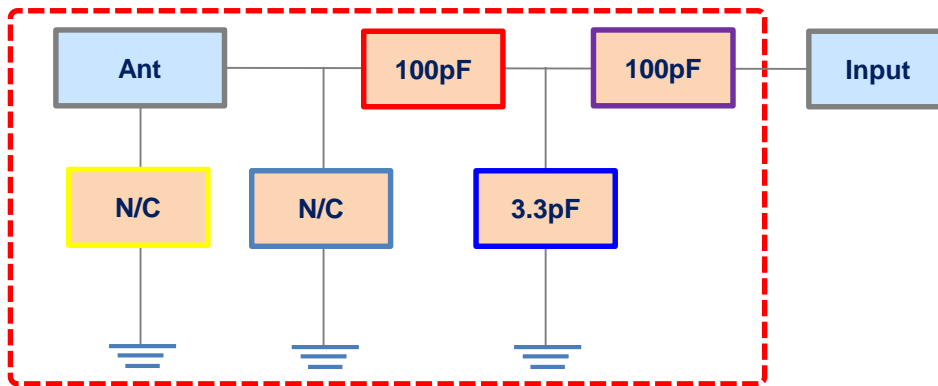




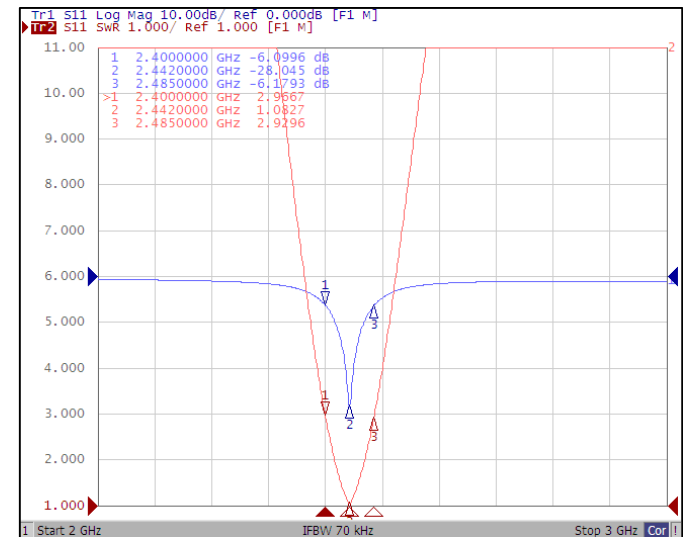
# 1. LCH Antenna Specification

Type	FPCB
Application	ISM 2.4GHz
AMOTECH P/N	AMO-FA-DD002

## 1-1. Matching circuit & VSWR [On the SET]



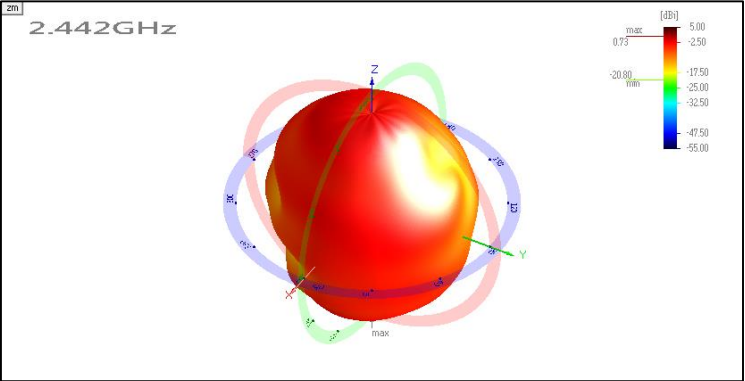
LCH\_matching circuit



LCH\_VSWR

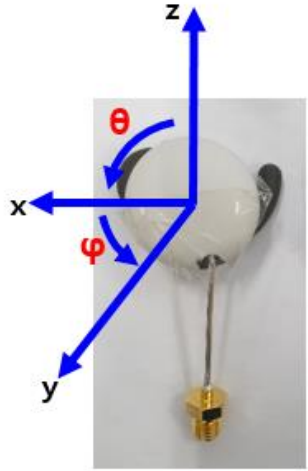
# 1. LCH Antenna Specification

1-2. 3D Radiation Pattern @2442MHz[On the SET]



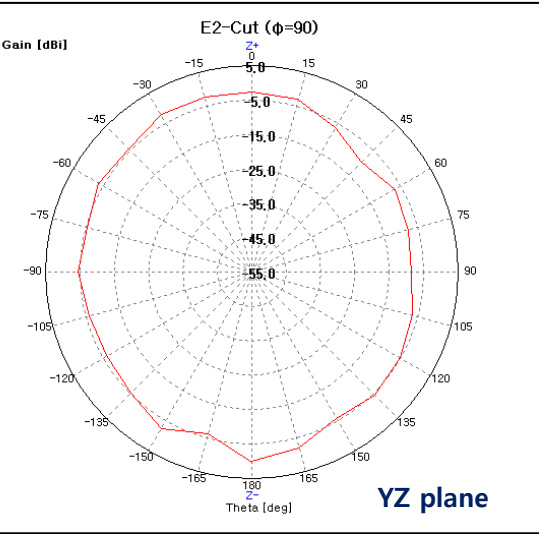
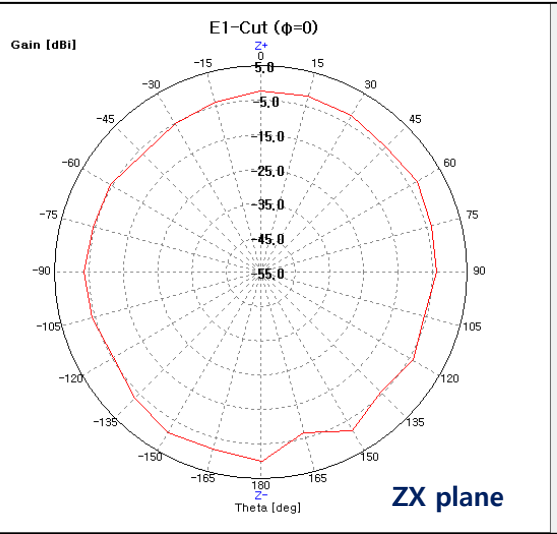
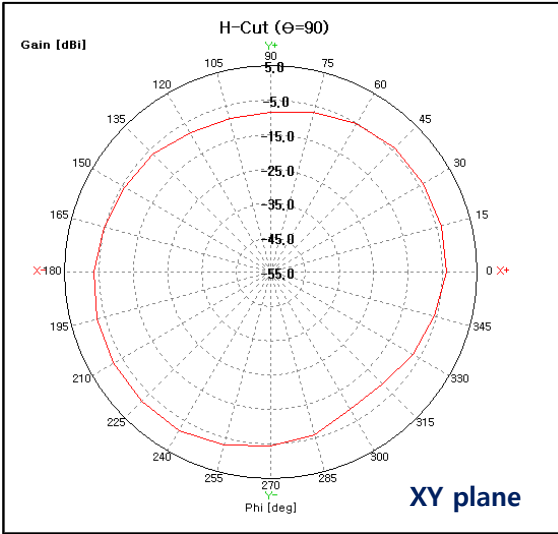
1-3. Efficiency & gain table[On the SET]

LCH Antenna			
Freq. (MHz)	Efficiency (%)	Avg. Gain (dBi)	Peak Gain (dBi)
2400	18.18	-7.41	-1.87
2442	35.31	-4.52	0.73
2485	21.07	-6.76	-1.55



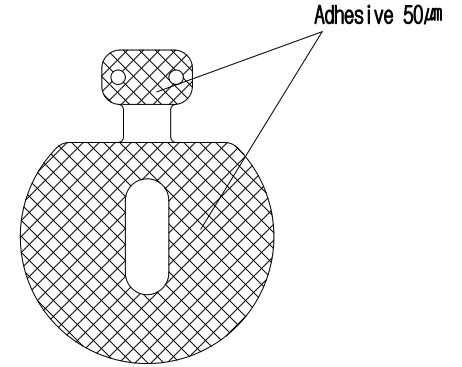
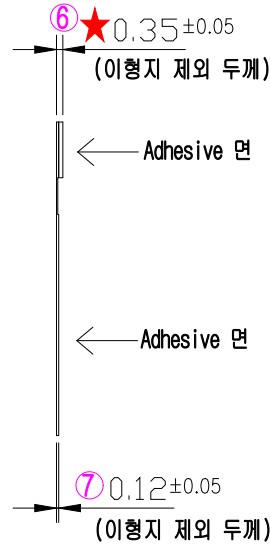
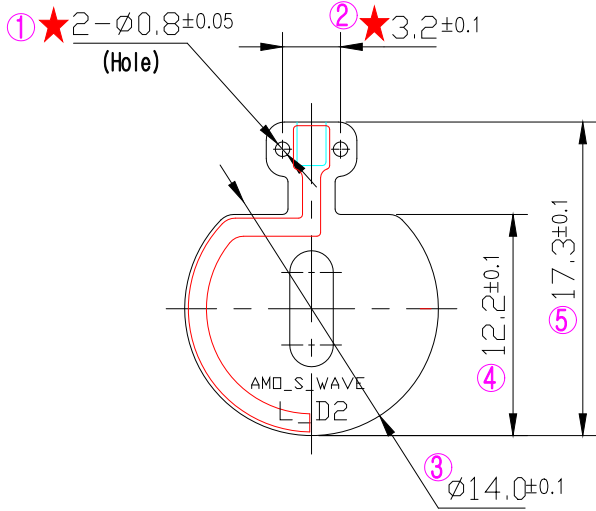
LCH

1-4. 2D Radiation Pattern @2442MHz[On the SET]



# 1. LCH Antenna Specification

## 1-5. Mechanical specification



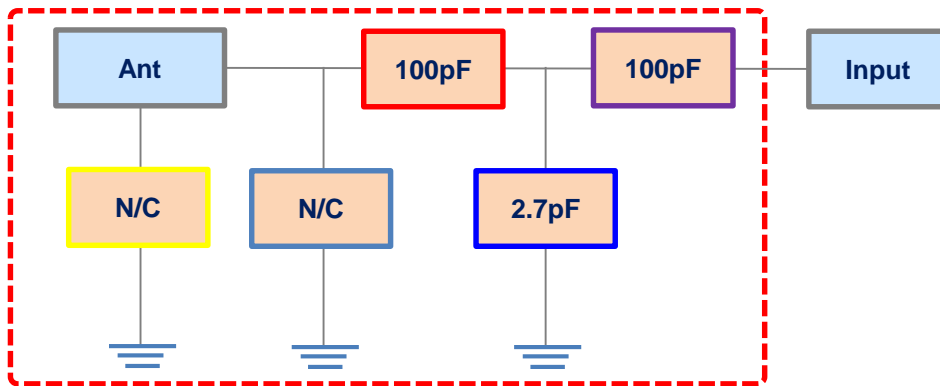
Unit :mm

※ CTF : ①, ②, ⑥

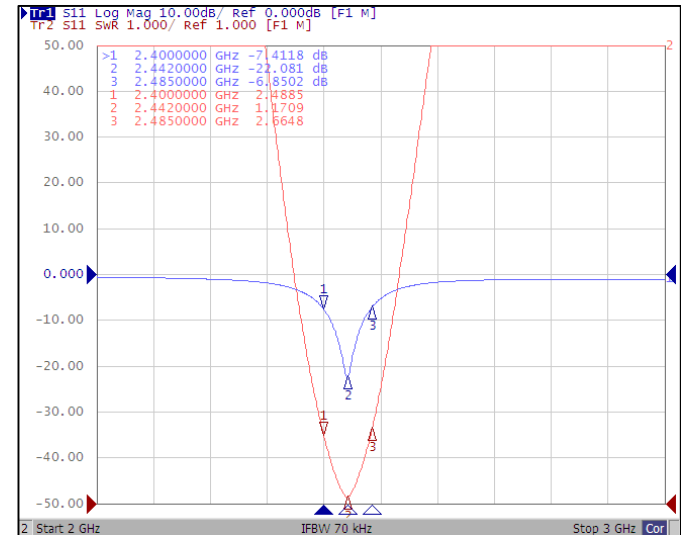
# 2. RCH Antenna Specification

Type	FPCB
Application	ISM 2.4GHz
AMOTECH P/N	AMO-FA-DD003

## 2-1. Matching circuit & VSWR [On the SET]



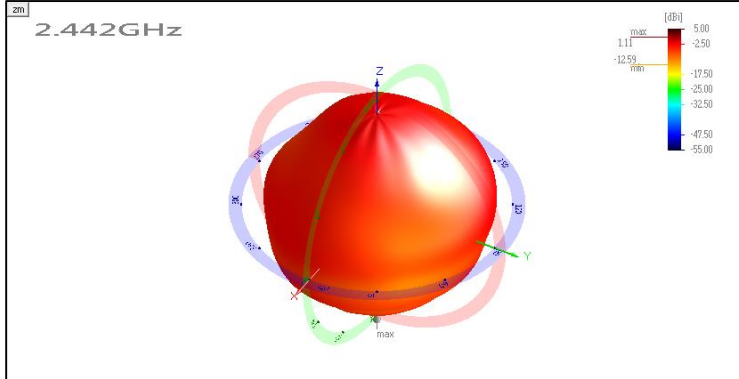
LCH\_ matching circuit



RCH\_ VSWR

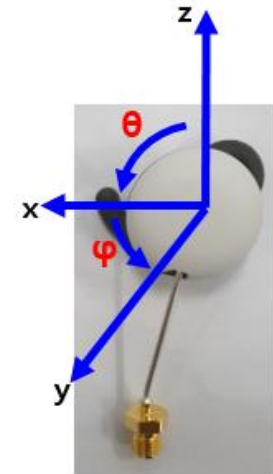
# 2. RCH Antenna Specification

2-2. 3D Radiation Pattern @2442MHz[On the SET]



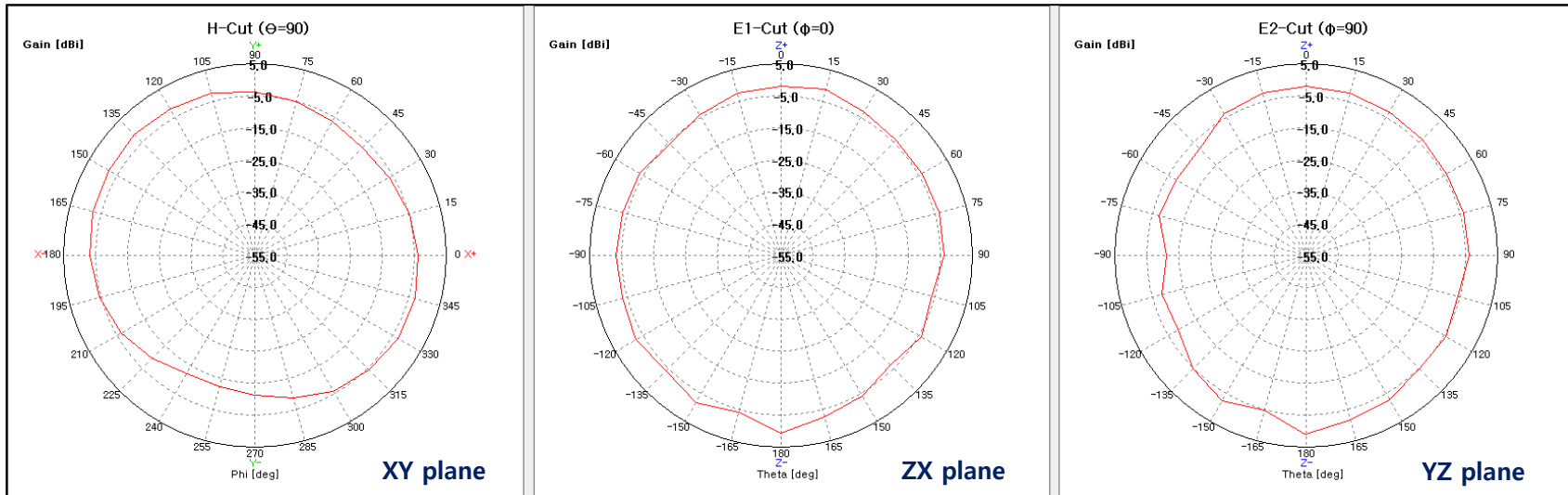
2-3. Efficiency & gain table[On the SET]

RCH Antenna			
Freq. (MHz)	Efficiency (%)	Avg. Gain (dBi)	Peak Gain (dBi)
2400	18.62	-7.30	-1.36
2442	37.00	-4.32	1.11
2485	30.91	-5.10	0.06



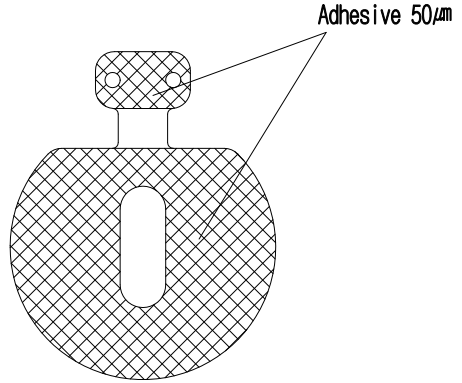
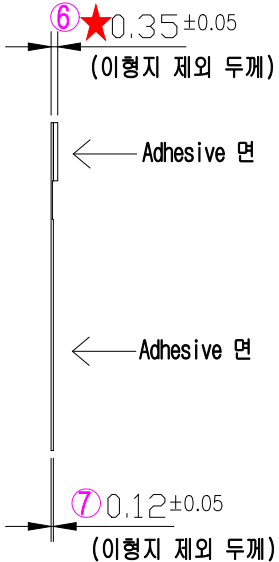
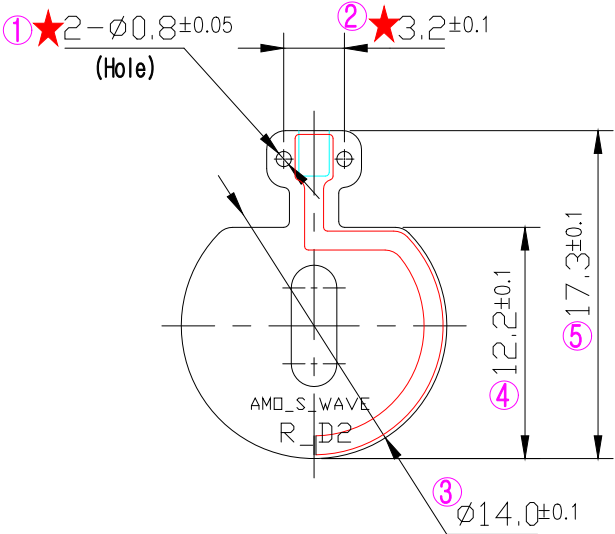
RCH

2-4. 2D Radiation Pattern @2442MHz[On the SET]



# 2. RCH Antenna Specification

## 2-5. Mechanical specification



Unit :mm

※ CTF : ①, ②, ⑥