

SPECIFICATION SHEET



CUSTOMER: Zhongli Guanda (shenzhen) Intelligent Technology CO., Ltd

DESCRIPTION: QT12-A11 (44mm) (length of lead :20mm)

CUSTOMER P/N: _____

PART NUMBER: _____

DATE: 2022-10-30

ACCEPTANCE STAMP



PREPARED BY	ENGINEER CHECKED BY	PRODUCTION CHECKED BY	APPROVED BY
Feng Xin	Guo zi qi	Huang Qiong	Chen Jun

ADDRESS: 3rd Floor, No. 181, Mingyue 2nd Road, Shiwan Town, Boluo County, Huizhou city
 TEL: 0752-6668681 E-MAIL: 839689578@qq.com

History For Revised Specification	CUSTOMER P/N :	
	PART NUMBER :	

Rev.	DESCRIPTION (Content Or Reason For Changed)	Date	Revisor
A.0	The first Release version	2022/10/30	Chen Jun

PREPARED BY	ENGINEER CHECKED BY	PRODUCTION CHECKED BY	APPROVED BY
Feng Xin	Chao zi qi	Huang Qiong	Chen Jun

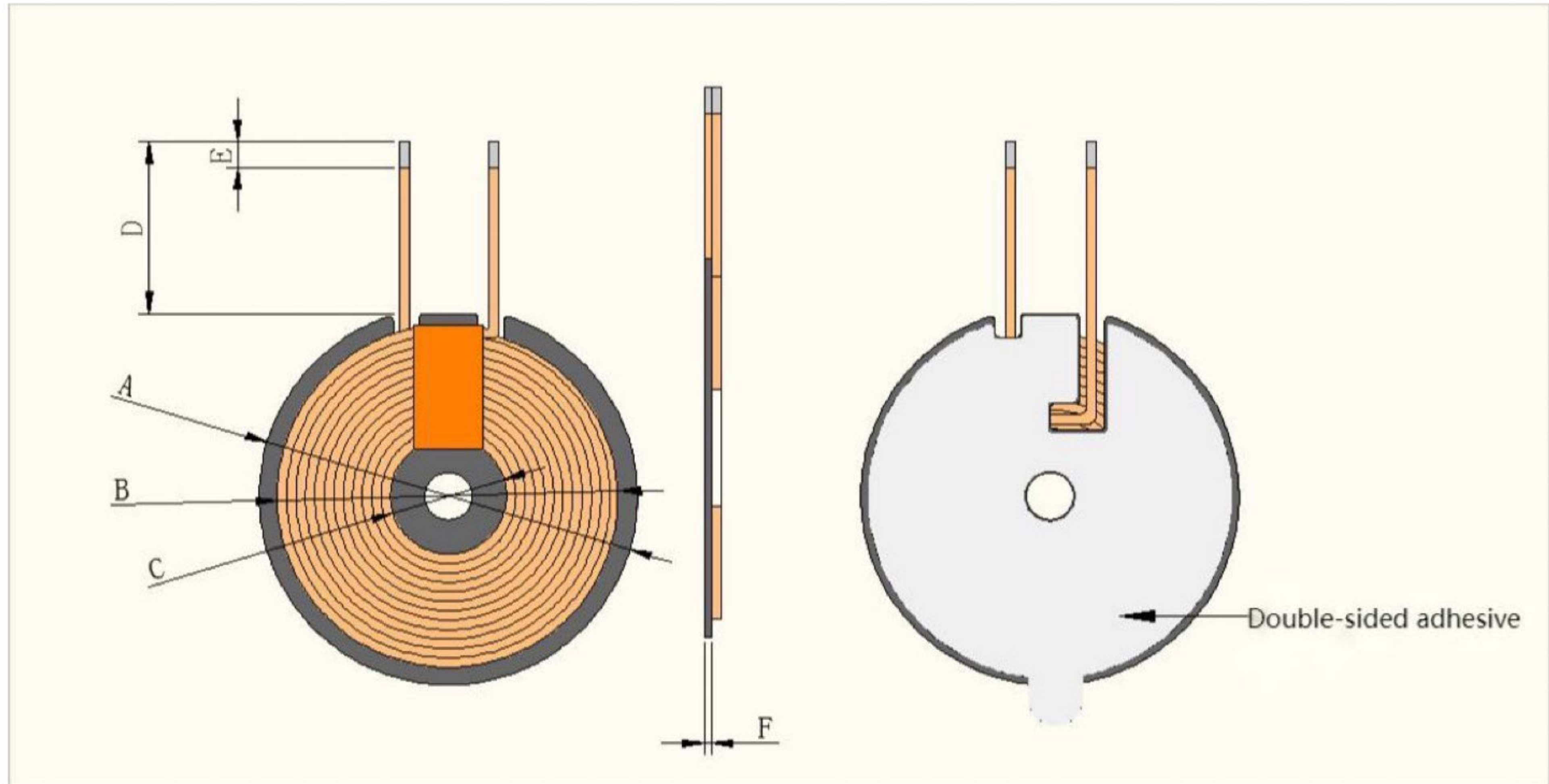
ADDRESS: 3rd Floor, No. 181, Mingyue 2nd Road, Shiwan Town, Boluo County, Huizhou city
 TEL: 0752-6668681

E-MAIL: 839689578@qq.com



Specification	CUSTOMER P/N :	
	PART NUMBER :	

1. DIMENSIONS: (Unit: mm)



A	B	C	D	E	F			
44±1	39.5±1	13.5±0.5	20±1	4±1	0.8±0.1			

1. High temperature tape: 8 mm.
2. Back adhesive is white double-sided adhesive, full round do not open holes.

PREPARED BY	ENGINEER CHECKED BY	PRODUCTION CHECKED BY	APPROVED BY
Feng Xin	Chao zi qi	Huang Qiong	Chen Jun

ADDRESS: 3rd Floor, No. 181, Mingyue 2nd Road, Shiwang Town, Boluo County, Huizhou city

TEL: 0752-6668681

E-MAIL: 839689578@qq.com

2. WINDING DETAILS

Turns	Wire Dia	Wdg. Type (Spred/Close)	Wdg.Direction	Intersect (Yes/No)
12 TS	0.08 * 105 P (Silk-Copper Wire)	Close	Anticlockwise	Yes

3. ELECTRICAL CHARACTERISTICS

- TEMPERATURE: 25 °C±10
- RELATIVE HUMIDITY: 65±10%

NO.	ITEM	TERMINAL	SPECIFICATION	TEST FREQUENCY	TEST EQUIPMENTS
1.	IND	S-F	6.8 μh±0.3	100kHz/V	UC2906A
2.	Q	S-F	70 Min	100kHz/V	UC2906A
3.	DCR	S-F	45 mΩ Max	100kHz/V	UC2906A

PREPARED BY	ENGINEER CHECKED BY	PRODUCTION CHECKDED BY	APPROVED BY
Feng Xin	Chao zi qi	Huang Qiong	Chen Jun

ADDRESS: 3rd Floor, No. 181, Mingyue 2nd Road, Shiwan Town, Boluo County, Huizhou city

TEL: 0752-6668681

E-MAIL: 839689578@qq.com

SPECIFICATION SHEET



CUSTOMER: Zhongli Guanda (shenzhen) Intelligent Technology CO., Ltd

DESCRIPTION: QT14-Apple Watch Coil(length of lead :31mm)

CUSTOMER P/N: _____

PART NUMBER: _____

DATE: 2022-10-30

ACCEPTANCE STAMP

PREPARED BY	ENGINEER CHECKED BY	PRODUCTION CHECKED BY	APPROVED BY
Feng Xin	Guo zi qi	Huang Qiong	Chen Jun



History For Revised Specification	CUSTOMER P/N :	
	PART NUMBER :	

Rev.	DESCRIPTION (Content Or Reason For Changed)	Date	Revisor
A.0	The first Release version	2022/10/30	Chen Jun

PREPARED BY	ENGINEER CHECKED BY	PRODUCTION CHECKED BY	APPROVED BY
Feng Xin	Chao zi qi	Huang Qiong	Chen Jun

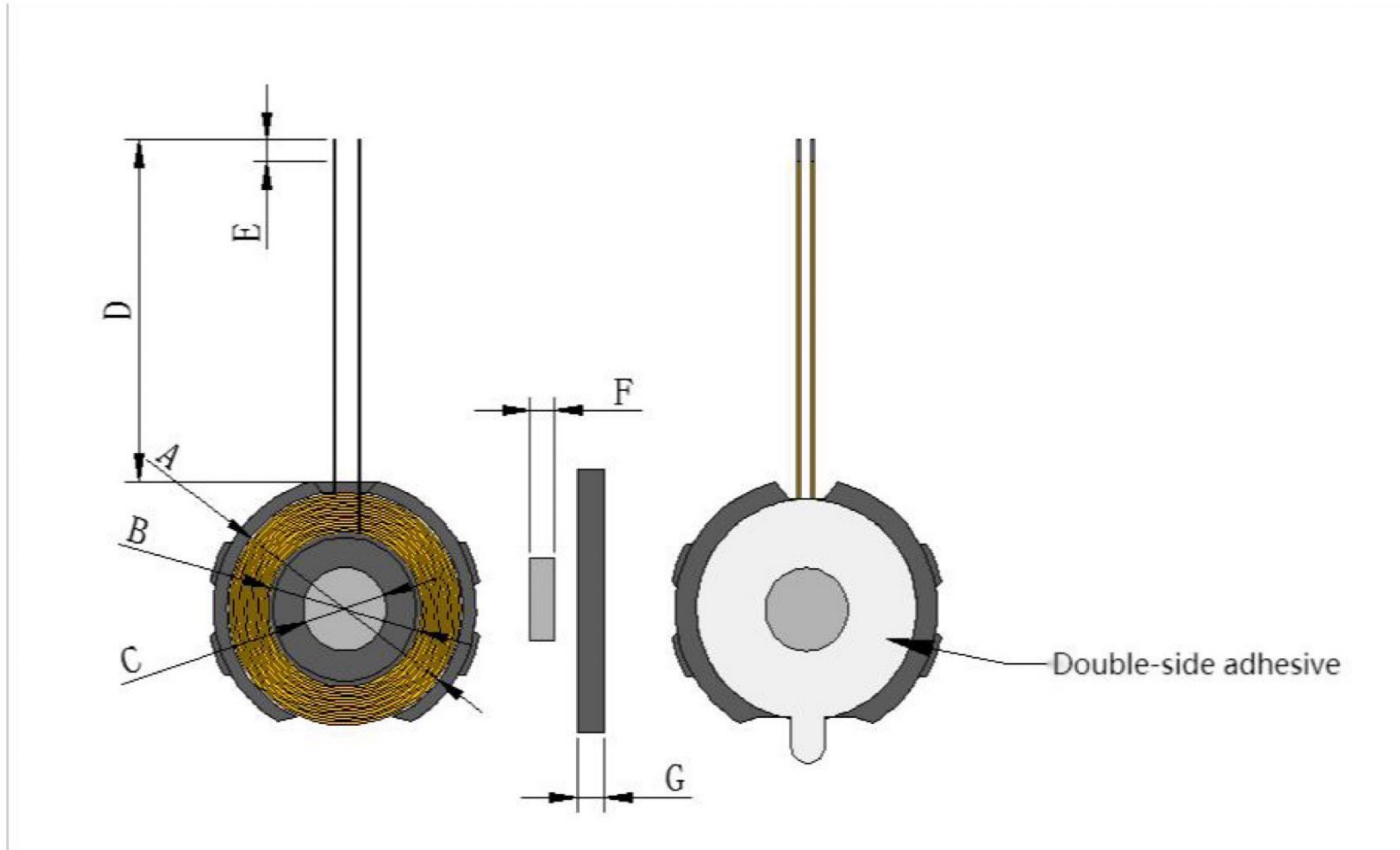
ADDRESS: 3rd Floor, No. 181, Mingyue 2nd Road, Shiwan Town, Boluo County, Huizhou city

TEL: 0752-6668681

E-MAIL: 839689578@qq.com

Specification	CUSTOMER P/N :	
	PART NUMBER :	

1. DIMENSIONS: (Unit: mm)



A	B	C	D	E	F			
21max	14±0.5	7.5±0.5	31±1	2.2±0.5	2.8max			

1.Magnet specifications : ϕ 7.5mm*2.2mm

2.Magnetic magnet: 2900GS-3200GS

PREPARED BY	ENGINEER CHECKED BY	PRODUCTION CHECKED BY	APPROVED BY
Feng Xin	Chao zi qi	Huang Qiong	Chen Jun

ADDRESS: 3rd Floor, No. 181, Mingyue 2nd Road, Shiwang Town, Boluo County, Huizhou city

TEL: 0752-6668681

E-MAIL: 839689578@qq.com

2. WINDING DETAILS

Turns	Wire Dia	Wdg. Type (Spred/Close)	Wdg.Direction	Intersect (Yes/No)
14 TS	0.08*24P(Hot air self-adhesive wire)	Close	Anticlockwise	Yes

3. ELECTRICAL CHARACTERISTICS

- TEMPERATURE:25±10℃
- RELATIVE HUMIDITY:65±10%

NO.	ITEM	TERMINAL	SPECIFICATION	TEST FREQUENCY	TEST EQUIPMENTS
1.	IND	S-F	8.1μh±0.3	100kHz/V	UC2906A
2.	Q	S-F	25Min	100kHz/V	UC2906A
3.	DCR	S-F	135mΩMax	100kHz/V	UC2906A

PREPARED BY	ENGINEER CHECKED BY	PRODUCTION CHECKDED BY	APPROVED BY
Feng Xin	Chao zi qi	Huang Qiong	Chen Jun

ADDRESS: 3rd Floor, No. 181, Mingyue 2nd Road, Shiwan Town, Boluo County, Huizhou city

TEL: 0752-6668681

E-MAIL: 839689578@qq.com

SPECIFICATION SHEET



CUSTOMER: Zhongli Guanda (shenzhen) Intelligent Technology CO., Ltd

DESCRIPTION: QT12-A11 (44mm) (length of lead :180mm)

CUSTOMER P/N: _____

PART NUMBER: _____

DATE: 2022-10-30

ACCEPTANCE STAMP

PREPARED BY	ENGINEER CHECKED BY	PRODUCTION CHECKED BY	APPROVED BY
Feng Xin	Guo zi qi	Huang Qiong	Chen Jun



History For Revised Specification	CUSTOMER P/N :	
	PART NUMBER :	

Rev.	DESCRIPTION (Content Or Reason For Changed)	Date	Revisor
A.0	The first Release version	2022/10/30	Chen Jun

PREPARED BY	ENGINEER CHECKED BY	PRODUCTION CHECKDED BY	APPROVED BY
Feng Xin	Chao zi qi	Huang Qiong	Chen Jun

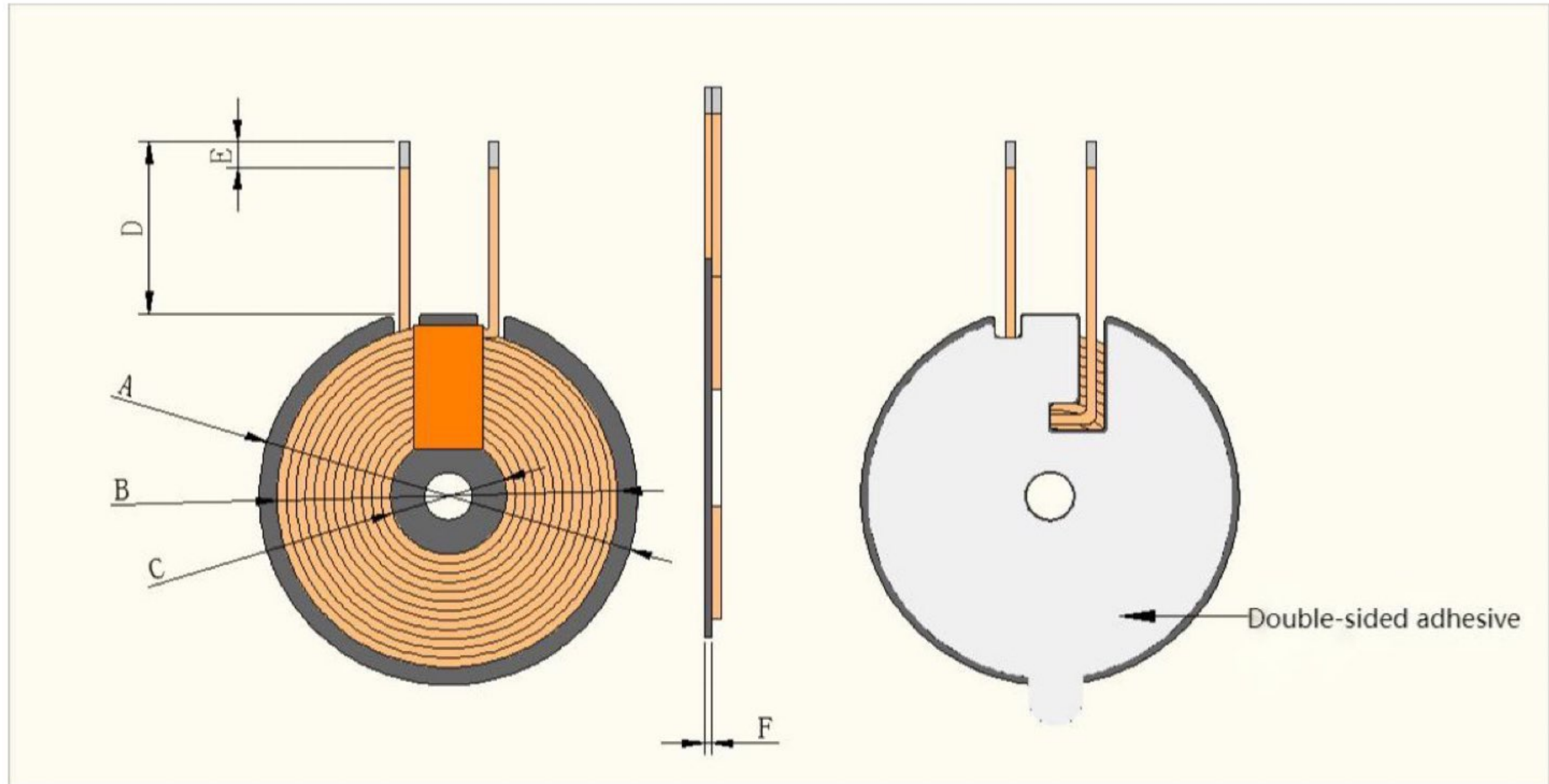
ADDRESS: 3rd Floor, No. 181, Mingyue 2nd Road, Shiwan Town, Boluo County, Huizhou city

TEL: 0752-6668681

E-MAIL: 839689578@qq.com

Specification	CUSTOMER P/N :	
	PART NUMBER :	

1. DIMENSIONS: (Unit: mm)



A	B	C	D	E	F			
44±1	39.5±1	13.5±0.5	180±3	4±1	0.8±0.1			

1.High temperature tape: 8mm.

2.Back adhesive is white double-sided adhesive, full round do not open holes.

PREPARED BY	ENGINEER CHECKED BY	PRODUCTION CHECKDEDED BY	APPROVED BY
Feng Xin	Chao zi qi	Huang Qiong	Chen Jun

ADDRESS: 3rd Floor, No. 181, Mingyue 2nd Road, Shiwan Town, Boluo County, Huizhou city

TEL: 0752-6668681

E-MAIL: 839689578@qq.com

2. WINDING DETAILS

Turns	Wire Dia	Wdg. Type (Spred/Close)	Wdg.Direction	Intersect (Yes/No)
12 TS	0.08 * 105 P (Silk-Copper Wire)	Close	Anticlockwise	Yes

3. ELECTRICAL CHARACTERISTICS

- TEMPERATURE:25±10℃
- RELATIVE HUMIDITY:65±10%

NO.	ITEM	TERMINAL	SPECIFICATION	TEST FREQUENCY	TEST EQUIPMENTS
1.	IND	S-F	6.8μh±0.3	100kHz/V	UC2906A
2.	Q	S-F	70Min	100kHz/V	UC2906A
3.	DCR	S-F	45mΩMax	100kHz/V	UC2906A

PREPARED BY	ENGINEER CHECKED BY	PRODUCTION CHECKDED BY	APPROVED BY
Feng Xin	Chao zi qi	Huang Qiong	Chen Jun

ADDRESS: 3rd Floor, No. 181, Mingyue 2nd Road, Shiwan Town, Boluo County, Huizhou city

TEL: 0752-6668681

E-MAIL: 839689578@qq.com