

Specification
规格内容

CUSTOMER P/N :
客户品名

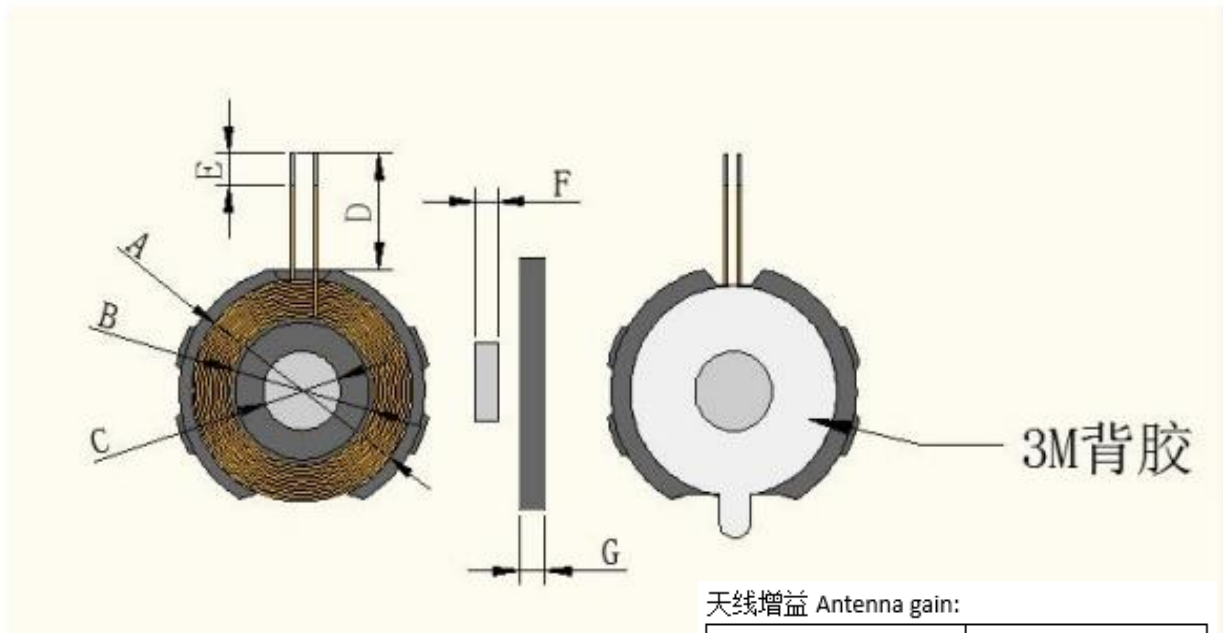
中利冠达

PART NUMBER :
制造商料号

96QTS610RB01

1. DIMENSIONS (外形尺寸) : (Unit: mm)

单位 (Unit) : 毫米 (mm)



天线增益 Antenna gain:

Operation frequency:	300kHz-350kHz
Antenna Type:	Loop coil Antenna
Antenna gain:	0dBi

A	B	C	D	E	F	G
21Max	14±0.5	7.5±0.5	11±1	1.5±0.5	2.2Max	2.8±Max

1. The back glue is 3mm
2. Coil 1.05H
3. Magnet size: 2.2*7.5 (magnetic field 2900-3200GS)
4. Open cable slots at the soft magnetic outlet