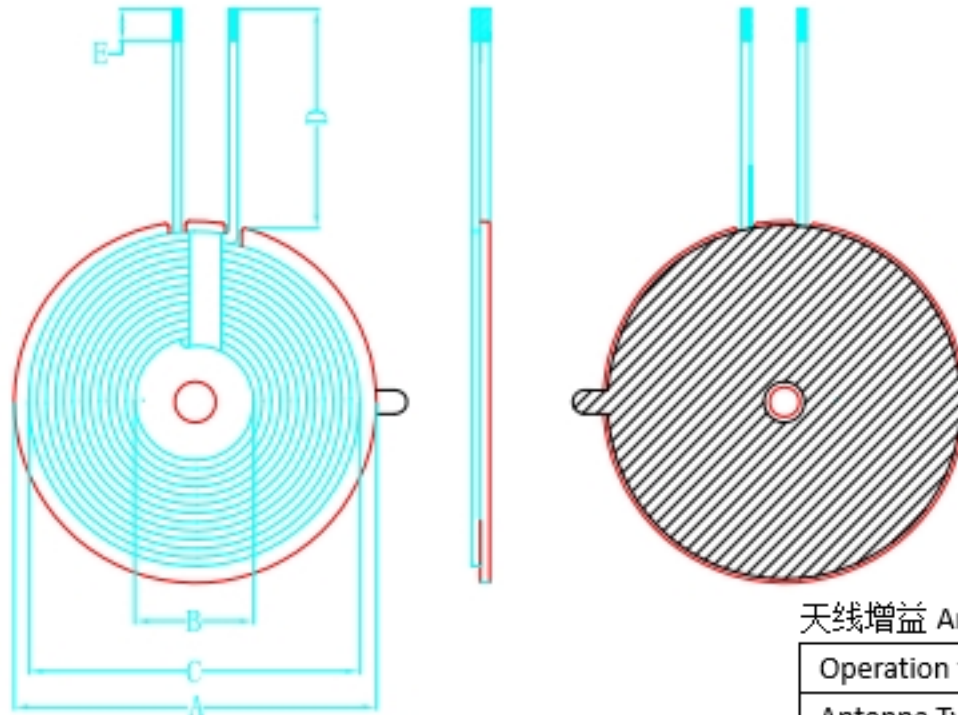


SPECIFICATION

产品型号: DESC	ZLGD0-14*38-20-FR	版本 Rev:A	Customer:	ZLGD
			Description:	线圈+磁片
			Date:	20220415

一、尺寸DIMENSION: (mm)



A	44.0±1.0
B	14.0±1.0
C	38.0±1.5
D	20.0±2.0
E	3.5±1.5
F	
G	
H	
I	
J	
K	
L	

天线增益 Antenna gain:

Operation frequency:	113kHz-205kHz
Antenna Type:	Loop coil Antenna
Antenna gain:	0dBi

Note:

- 1.The coil is hard magnetic, the magnetic disc has holes with double slots and the thickness of the magnetic disc is between 0.8-0.89, and the coil position is centered
- 2.White double-sided tape with ears on the back of the magnetic disc
- 3.Wrap 5mm high-temperature tape around the cable outlet
- 4.Do not loosen the coil

二、原理图 (schematic diagram:)

三、绕线参数 (Winding Specification:)

序号 NO.	端子 TERMINAL	线径 WIRE	圈数 Turns	绕线方向 Winding Direction
1		0.08X105P丝包线	12TS	逆时针

四、电气特性 ELECTRICAL CHARACTERISTICS:

温度 TEMPERATURE: 25±10° C, 湿度 RELATIVE HUMIDITY: 65±20%

序号 NO.	项目 ITEM	端子 TERMINAL	标准 SPECIFICATION	测试条件 TEST FREQUENCY	测试仪器 TEST EQUIPMENTS
1	IND.		6.8UH (必须在6.5-7.1内)	100KHZ/1.0V	SHDA 1062
2	IND.				
3	Q值				
4	DCR				