

SPECIFICATION FOR APPROVAL

CUST OMER: Shenzhen Ai-Thinker Technology Co., LtdCUS PART NO: ESP-C3-32SPART NAME: 2.4G WLAN AntennaEdition: 1.0

Editor	Deng Chaomei	2021/04/11
Verifier	Guan Ning	2021/04/11
Approver	Xu Fuqiang	2021/04/11

**SHENZHEN B&T TECHNOLOGY Co., Ltd****ZHONGSHAN B&T TECHNOLOGY Co., Ltd**

Address: 3-4/F, Building A, Dongfang Industrial Park, Nanlang Town,
Zhongshan City, Guangdong Province, China

Directory

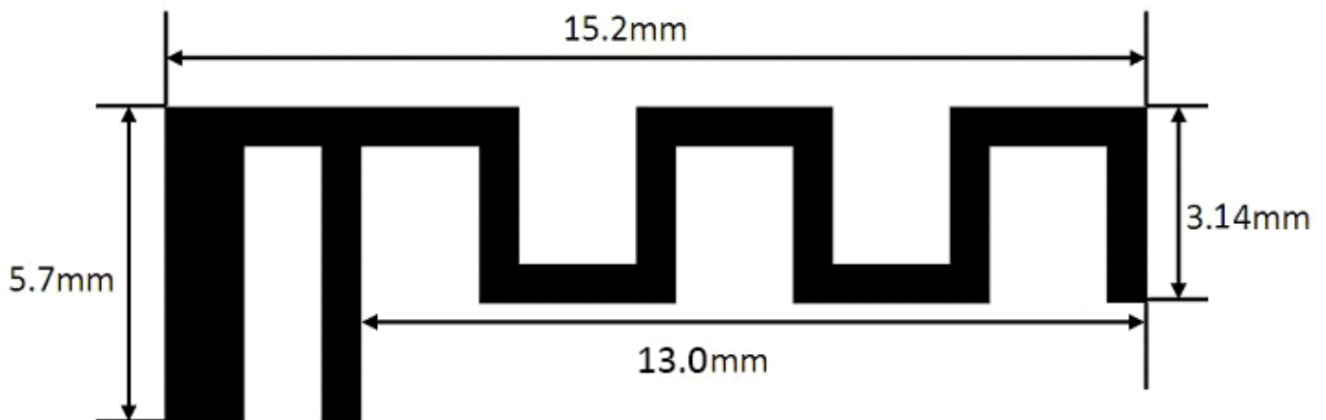
Product specification.....	- 3 -
1. Performance parameter.....	- 3 -
2. VSWR.....	- 4 -
3. Passive test data:.....	- 4 -

Product specification

1. Performance parameter

Name	2.4G WLAN Antenna
Model Type	PCB Print Antenna
ELECTRICAL SPECTFICATIONS	
Frenquency Range	2400-2500MHz
Band Width	100MHz
Impedance	50 Ω
VSWR	< 2.0
Max Gain	1.4dBi
Polarization	Vertical/Horizontal
Radiation	Omnidirectional
Power	50 W

Antenna Photo & Length (mm)



2. VSWR

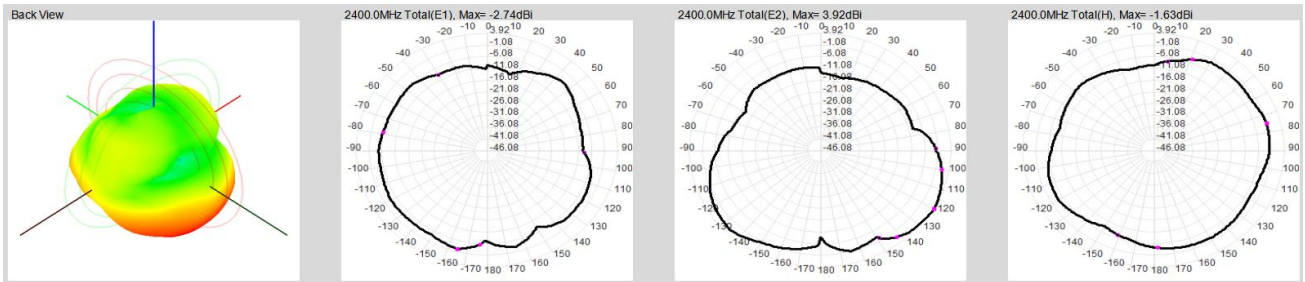


3. Passive test data:

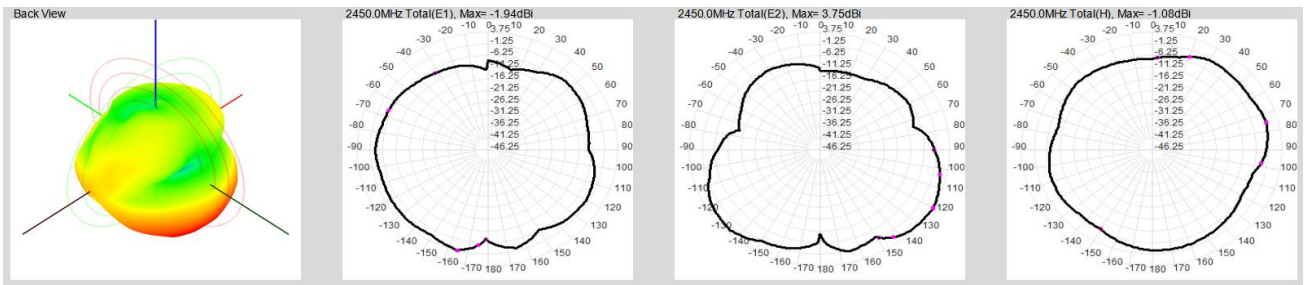
Frequency (MHz)	2400	2410	2420	2430	2440	2450	2460	2470	2480	2490	2500
Gain (dBi)	1.40	1.24	1.16	0.64	0.68	0.86	0.92	1.12	1.28	0.72	0.62
Efficiency (%)	68.26	66.58	67.92	63.90	66.07	67.28	65.85	66.64	68.48	61.49	62.54

4. Radiation pattern

(1) 2400MHz



(2) 2450MHz



(3) 2500MHz

