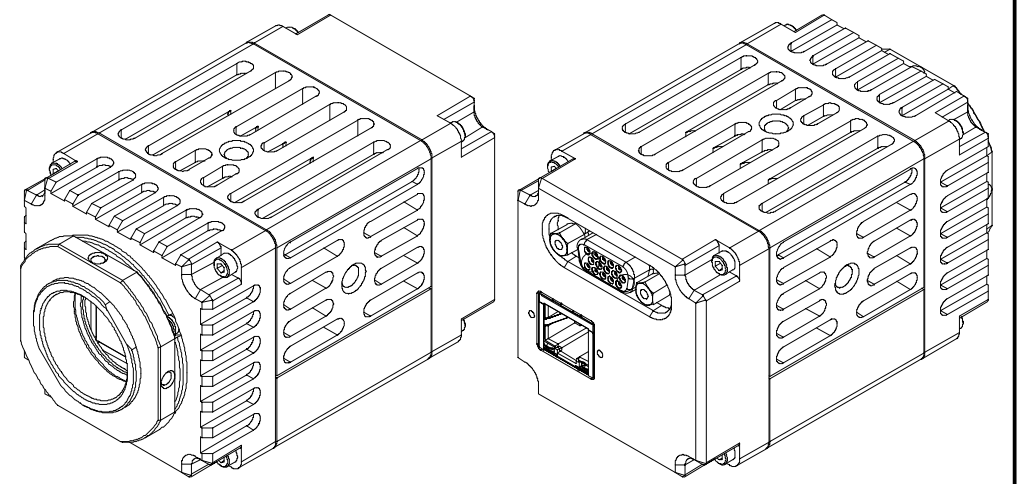
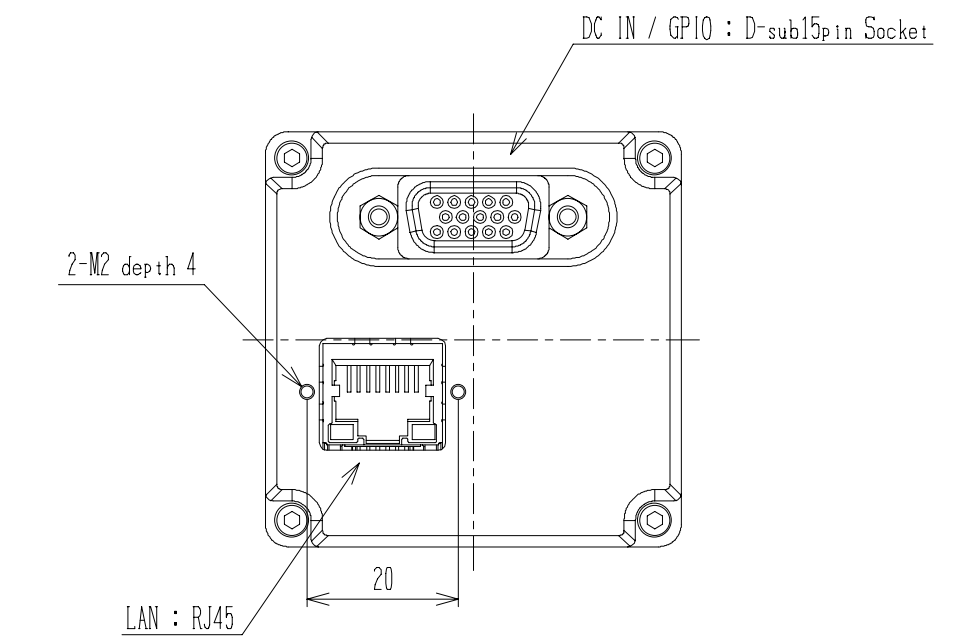
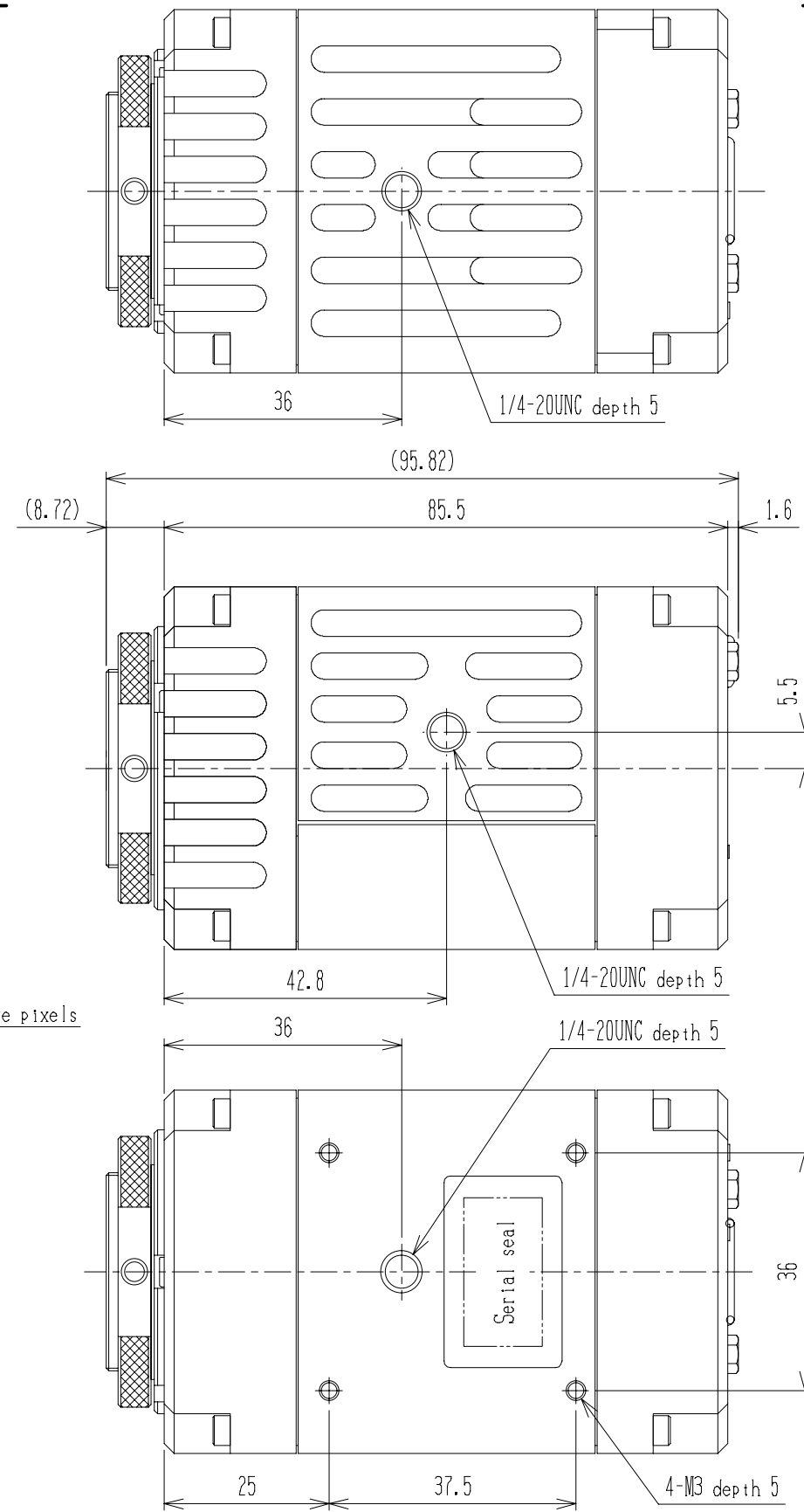
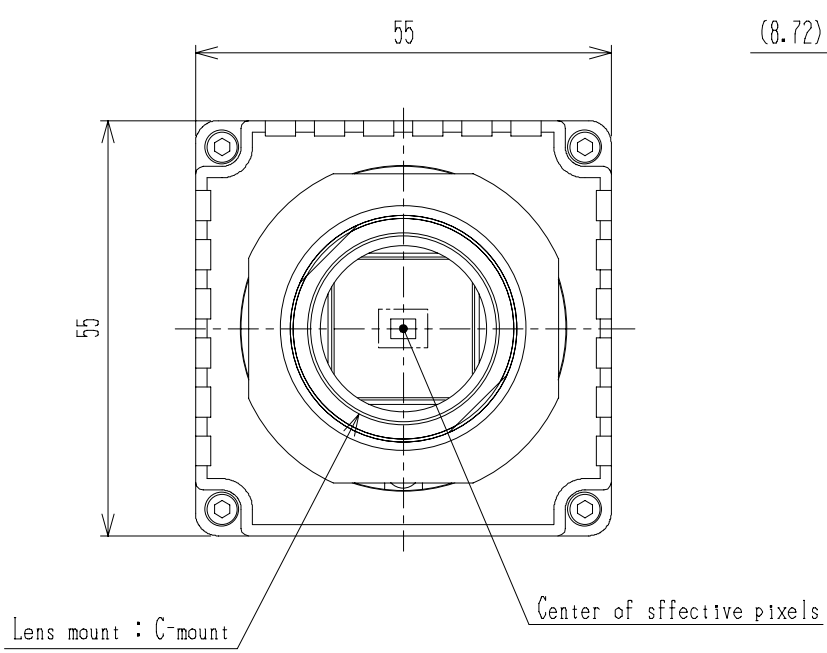


REV.	DESCRIPTION	APP.

FCC ID : 2A2MT-PIA



Primetech Engineering Co., LTD

PART NO.		TITLE		MATERIAL	SIZE	DETAIL WORKING	FINISH	QTY.	FILE NAME
		InGaAs CAMERA							
APPROVALS	DATE	2021/08/04		PXG130SP / PXG030SP		DRAWING NO.		PIA3C002A	
APPROVED	CHECKED			Outside drawing		SCALE		UNIT	3RD ANGLE
DESIGNED	DRAWN	YASHIMA				1/1		mm	PROJECTION