

Material acknowledgement

Fenda material name	FD204 BT Antenna
Fen da material	14.001.0017.00004
Supplier name	Shenzhen Trusted Huacheng Communication
Brand &	2FPC611286026-R1

Supplier acknowledges				Fen da admitted	
	engineer	examine and verify	ratify	engineer	ratify
sign	Xiao Kunxiong	Yue Zhongxun	Wen-hui liao		
date	2023-3-3	2023-3-3	2023-3-3		
affix one's seal:					
remarks:					

Attached information:

1. Drawings, specifications
2. FAI test report
3. reliability test

4 . Other information

C JA book		DATE	2023-3-3	REV.	A/0
MODEL	FD204 BT Diggo	Wen Rickets	QR-081	PAGE	2/ 10

catalogue

catalogue.....2

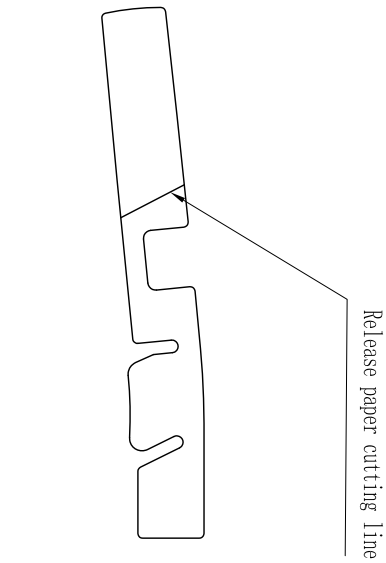
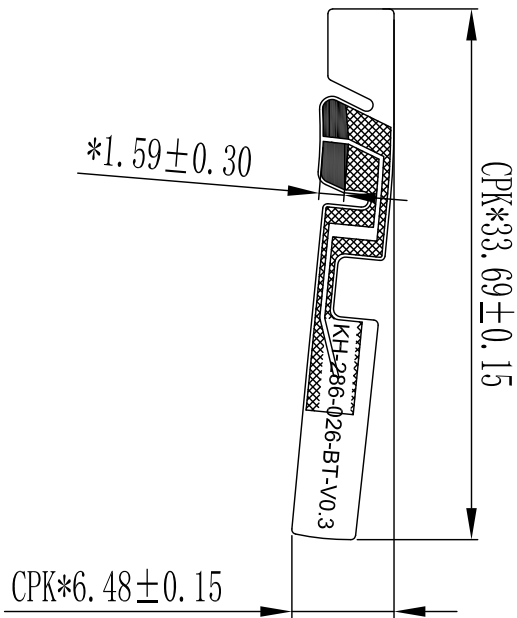
1. structural drawings..... 3

2. Size report..... 4

3. Salt Spray Test.....5

4. Performance report.....6

5. manner of packing..... 10



GOLD-PLATED AREA  LINE AREA 



深圳市可信华成通信科技有限公司

The third Angle		Project		Date		Page number	
0~10	±0.10	○	0.02	KH-286-026	2023.3.30		1/1
10~20	±0.15	◎	0.03	BT ANTENNA			
20~40	±0.20	⊥	0.02	P/N	2FPC11545007-R1	Drawing KXX	Design review
> 40	±0.25	∇	0.04	Material	FPC	Review RF	
Drawings	Position	Appearance color	Black	Approved by		Unit mm	Proposition
5			Black				Version R1

- Remark
1. "H" is important size (should control when making mould, mould verify measure grade B), others are design reference size grade C
 2. Material cannot use the secondary recycled material
 3. Product can not be bumped, scratched or damaged etc during package and transportation
 4. Material: P1 (half to half), the back glue 3M9471
 5. Package and quality standard refers to KEXINHUACHENG standard
 6. Product must meet RoHS2.0/HF/REACH standard

C JA book		DATE	2023-3-3	REV.	A/0
MODEL	FD204 BT Diggo	Wen Rickets	QR-081	PAGE	4/10

2. Size report

R^{MS}G

Shenzhen Trusted Huacheng Communication Technology Co., LTD
Shenzhen Kexinhuacheng Communication Technology Co.,Ltd.

Appearance sample size inspection report

customer	/			product	BT antenna-FPC			product	FPC					
Supplier	/			Product	2FPC611286026-R1			inspecti	Liu					
Drawing	R1			unit	mm			examinat	2023.3.3					
or de r	Dete ction items	criterion of detection				Actual measurement size					Det erm ine	det ect ing vis i	Sp eo ty	remark s
						1	2	3	4	5				
1	surfa	See the poor				OK	OK	OK	OK	OK	OK			
Drawing size	1	33.6		0.15	33.826	33.793	33.755			OK	P			
	2	6.48	b	0.15	6.395	6.388	6.362			OK	P			
	3	159	+	0.30	1.847	1.853	1.824			OK	P			
Finally, the party				fix:	OKH			NG mouth						

Brief description of bad appearance phenomenon: A-word, B- -wrinkle, C one scratch, D- -mixed color, 'K one indentation, L one shape, M- -shrinkage, N-broken foot, O- -top white, P- -rust, Q- -defective, 'Check and delete the battle device referred to as: PG one plug (round hole) gauge, RG- -R gauge, SG- 'Production, Liu Xianchong

Approval: Yue Zhongxun

C JA book		DATE	2023-3-3	REV.	A/0
MODEL	FD204 BT Diggo	Wen Rickets	QR-081	PAGE	5/10

3. Salt mist test

Salt mist test report

Customer / Supplier (Customer/supplier)	/	Product name / model number	BT antenna-FPC	Product material number	2FPC60286026-R1
Test the number of (Test Quantity)	5PCS	Ring grave temperature and	25.1.C x 53.7%	Pick test date (Test Date)	2023.6-2023.8
Test item (Test item)	Neutral salt fog sword test at 48H		Test equipment (Test Machine)	Salt spray tester LX-60A	

The opening board admission for oral routine test Trial production of fish production material change Material

No rust phenomenon, the performance of the electrical performance charge sufficient specifications model trapped.

Put in the salt zero test box at a concentration of (5 ± 1)%. The temperature is 35.C ± C and the sink rate is (1-2) ml / 60". H. brine injection, 48 hours later, check the soul. Reference standard: GB / T 2423.18-2000 Test Kb

Test Results (TestResult):

Xiang numbe	Detection project	Implant oneself before sword test	After the test, the	remarks
1	Whether the sample surface has rust and	OK	OK	
2	Whether the surface of the sample is foaming and detached	OK	OK	

Results steel (ResultDescription):

After the test, the surface of the sample has no rust' color, foaming, falling off and other phenomena, performance, the result is OK.

Figure i Test sample salt is in the test box Figure 2. Test parameters Figure 3 After testing

Trial under the knot qualified PASS unqualified hope

Cc department: General manager purchase mouth structure mold section R & D technology Center Kou product project department Central mouth in the mouth

The mouth can Nonconforming treatment (liiqualified treatment):

Tester: Liu Xianchong

Review: Yue Zhongxun

C JA book		DATE	2023-3-3	REV.	A/0
MODEL	FD204 BT Diggo	Wen Rickets	QR-081	PAGE	6/ 10

4 . Performance report

Antenna photo. Environmental treatment.

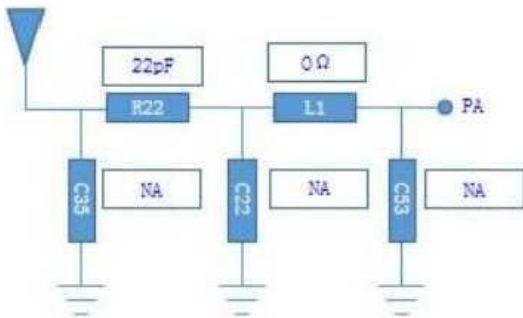
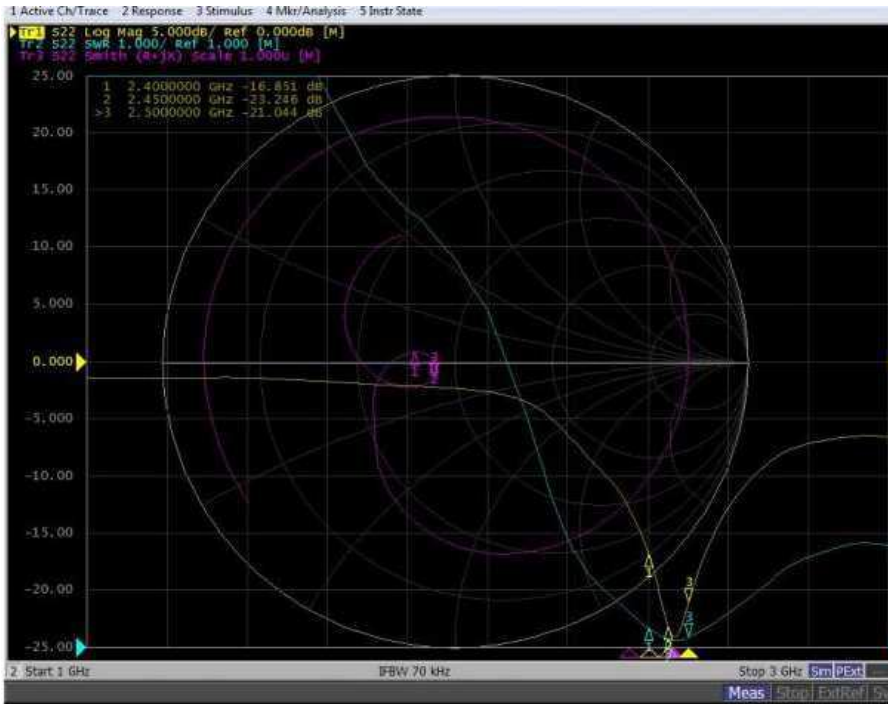
Dark room placement diagram:



C JA book		DATE	2023-3-3	REV.	A/0
MODEL	FD204 BT Diggo	Wen Rickets	QR-081	PAGE	7/ 10

S22. and I; power distribution road

The Tri return loss standing wave map



1. The original match has been changed, and the latest parameter values are as follows:

Main road match	parameter values
C35	NA
R22	22pF
C22	NA
L1	OQ
C53	NA

C JA book		DATE	2023-3-3	REV.	A/0
MODEL	FD204 BT Diggo	Wen Rickets	QR-081	PAGE	8/ 10

Dark room data. And field measurement data

Passive test data

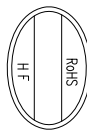
free state			
frequency Frequency (MHz)	ain Gain (dBi)	efficiency Efficiency (dB)	efficiency Efficiency pottery
2400	-2.43	-6.70	21.38
2410	-2.47	-6.71	21.34
2420	-2.53	-6.58	21.96
2430	-2.41	-6.41	22.86
2440	-2.27	-6.39	22.94
2150	-2.28	-6.47	22.53
2460	-2.36	-6.45	22.67
2470	-1.88	-6.38	23.04
2480	-1.76	-6.48	22.47
2190	-2.02	-6.53	22.25
2500	-2.35	-6.55	22.14

Arm state

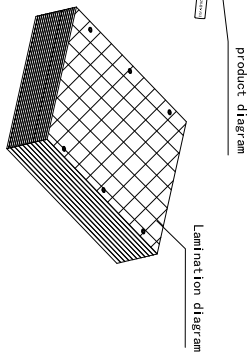
frequency Frequency (MHz)	ain Gain (dBi)	efficiency Efficiency (dB)	efficiency Efficiency of the same time
2100	-3.45	-10.93	8.08
2110	-3.65	-10.84	8.25
2420	-4.24	-10.86	8.21
2430	-4.26	-10.95	8.04
2140	-3.6	-10.82	8.28
2450	-3.32	-10.66	8.59
2460	-3.31	-10.65	8.61
2470	-3.35	-10.65	8.61
2180	-3.27	-10.61	8.68
2190	-3.46	-10.75	8.42
2500	-3.51	-10.77	8.38

C JA book		DATE	2023-3-3	REV.	A/0
MODEL	FD204 BT Diggo	Wen Rickets	QR-081	PAGE	9/10

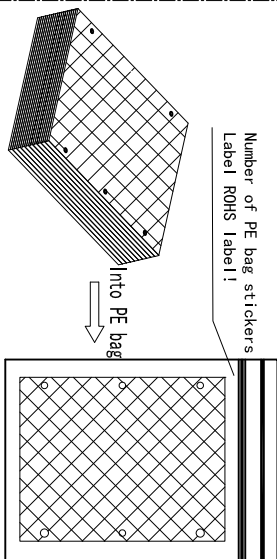
The FD 204 Bluetooth range test data are as follows:				
1. Standby:				
Apple 11 phone back / 180° pull 5.3 meters (standard 5 meters).				
communicate by telephone:				
Apple 11 back / 180° pull 10.4 meters (standard 10 meters).				
2. Standby:				
The back of the Android Mi 10 phone / 180° pull apart is 6.2 meters				
communicate by telephone:				
Android Mi 10 back / 180° pull 11.5 meters (standard 10 meters) standard.				
Note: Since the Huawei Mmate 40 Por and Samsung Galaxy M30s phones were not available, these two phones were not				



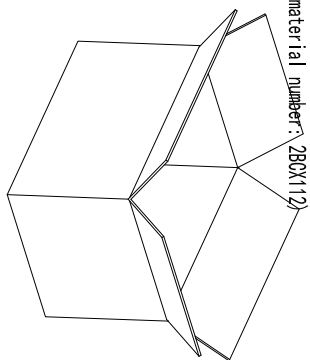
1. FPC full plate shipment, put the whole board FPC stacked (each middle with release paper)!



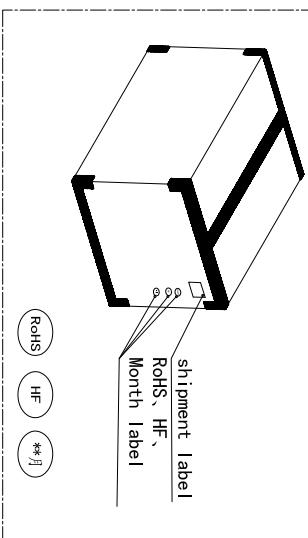
2. Each 100PCS shall be packed into a PE bag and wrapped and sealed with adhesive tape.



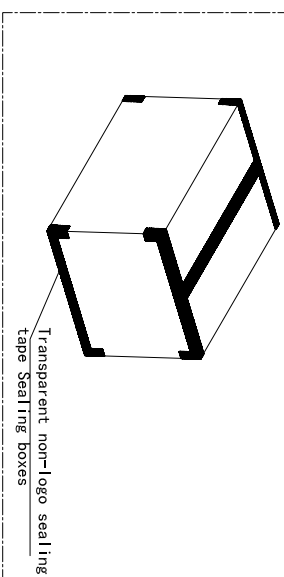
3. 20 bags per box, 200,00pcs per box (carton material number: 28CM112)



5. Packing diagram of outer box



4. Sealer Sealing Box (Type H)



- Notes:
1. Handle the product gently when packing to avoid scratching.
 2. After the whole plate is packed, check whether there is any missing product
 3. If there are zero boxes that are not filled, fill them with buffer material.
 4. After the packing is complete, check whether the labels are attached properly
 5. The shipment inspection report should be attached to the box.

shipment label illustration

客户名称:	深圳市可信华成通信科技有限公司
订单号:	
品名规格:	
客户料号:	FPC
送货单号:	出货日期:
PMC	备注:



深圳市可信华成通信科技有限公司

The third Angle

Project	Project	Project	Date	Date	Page number	
0~10	±0.10	○	0.02	KH-286-026	2023.3.30	1/1
10~20	±0.15	○	0.03	FPC antenna packaging		
20~40	±0.20	⊥	0.02	P/N	52JH2286026-R1	Design Review
> 40	±0.25	∇	0.04	Material		Review RP
		∇	0.02	Appearance color		Approved by

Drawings

Position

4

5

6

Unit

mm

Proportion

Version

RI