

KUMI

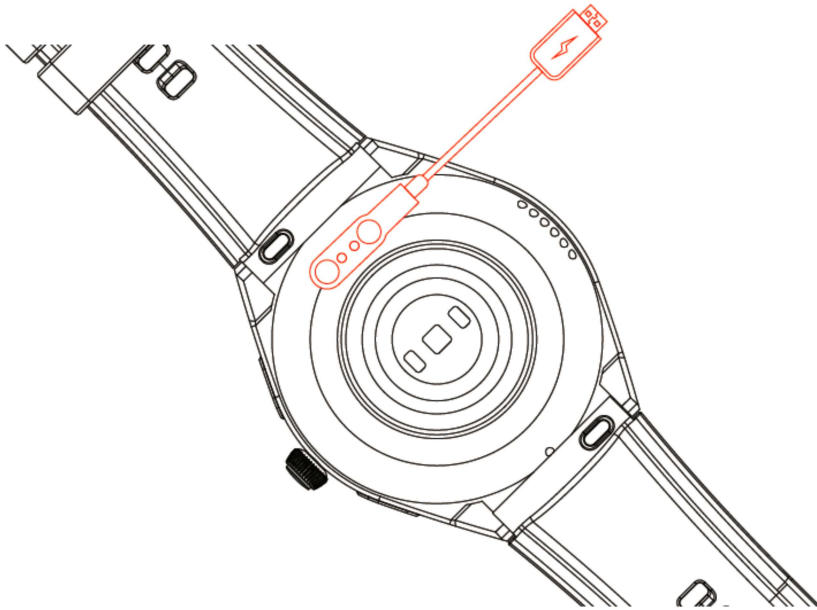
KUMI GT5 MAX SMARTWATCH INSTRUCTION MANUAL



Thank you for choosing KUMI. You can read this manual to fully understand the use of the device. This device is mainly connected to the mobile phone through Bluetooth for adaptation, providing a variety of practical functions and services to facilitate your operation of the mobile phone, and has developed many human movement and healthy function. This device is not a medical device, and the measurement data and results are for reference only, not as a basis for diagnosis and treatment. The company reserves the right to modify the contents of this manual without prior notice.

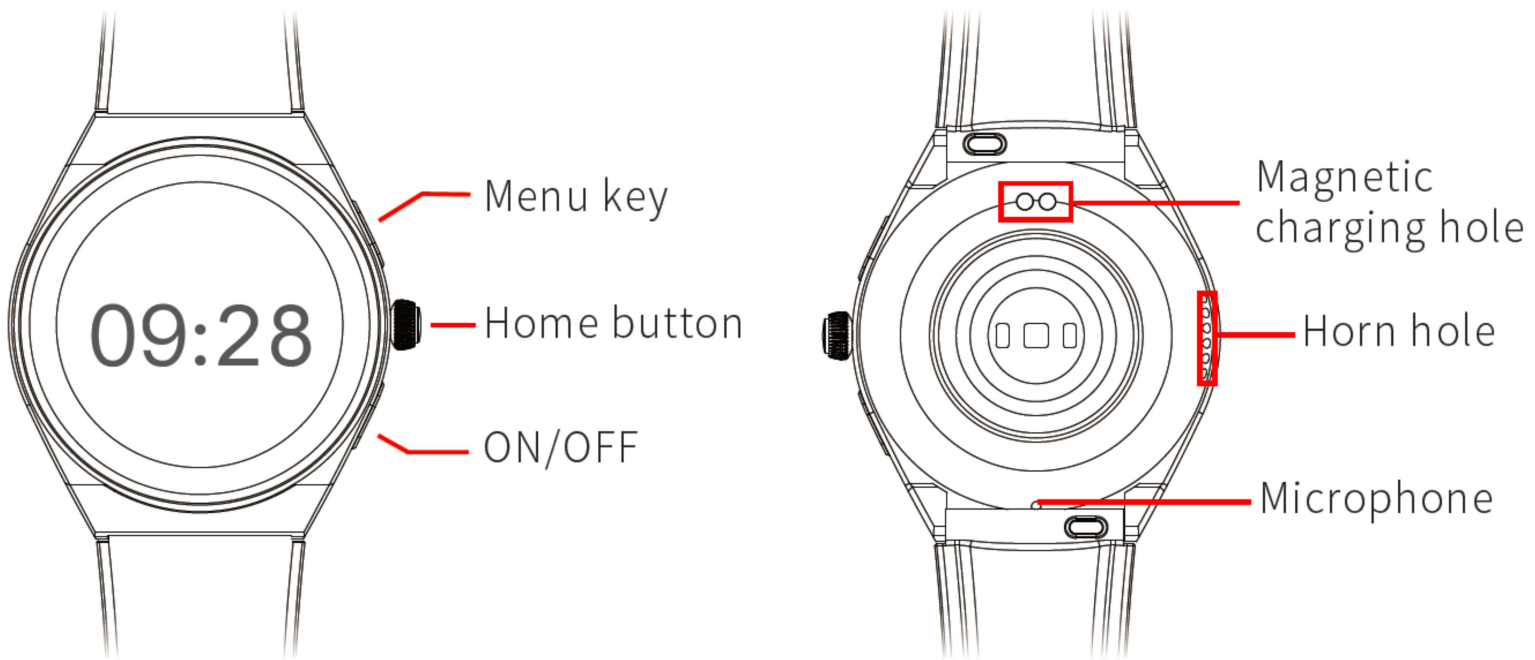
WATCH CHARGING AND ACTIVATION

Align the charging cable with the back of the watch until the charging prompt appears on the watch screen. When the watch prompts that the battery is low, please charge it in time. This device belongs to an all-in-one machine, and the back shell and battery cannot be disassembled.



After receiving the watch, if it is not turned on, please charge it for more than 10 minutes before activating the watch.

WATCH APPEARANCE



MOBILE PHONE CLIENT DOWNLOAD

Enter the mobile APP store and search for "KUMIWear" or scan the QR code below , follow the prompts to download and install .



Scan QR Code and Download

CONNECT THE SMART WATCH

After the mobile phone turns on the Bluetooth, enter the APP

(If the APP cannot be opened, please turn on the positioning of your phone and then open the APP)

Go to the device->Click 'Device'->Click 'Add Device'

Click 'Search Device',
Choose your device on
the scanning list

Click on 'Scan QR Code
Binding', scan the QR code
on the watch

Finish

Audio Media Control

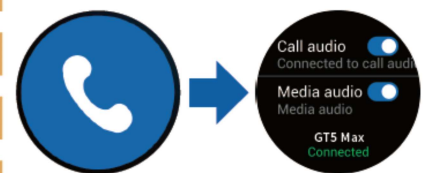
Call audio

Bluetooth connection switch for bracelet call.

Media audio

It is used to play media audio switch.

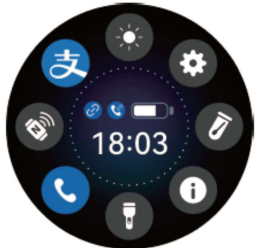
- 1) Only when the call audio has been turned on to turn on media audio;
- 2) When "Media audio" is on, turn it off "Call audio" "Media audio" switch and Step off;
- 3) In case (2), turn on "call tone" "Frequency" "Media audio" switch will be turned on synchronously.



Bluetooth is on

TOUCH

Control Center



Long press the screen to enter the dial selection interface, swipe left or right to switch the dial, and click once after confirming the dial.

Shortcut keys



→ Swipe right



↓ Swipe down

← Swipe left

↑ Swipe up

Sports data



Message notification

FUNCTION INTRODUCTION

Dial switch

Long press for 2s on the home screen to enter the dial switch interface. Slide right and left to switch the dial for selection and click to select the dial.

Control center

Function overview: brightness, settings, find phone, system information, flashlight, audio mode, NFC and power saving mode.

Movement data

Display the number of steps, distance, and calories recorded on the day, and the number of steps in the last seven days. You can set the target number of steps, distance, and calories in the APP.

Sports

Sports mode options: 8+1 kinds, (default built-in hiking, running, mountaineering, cycling, basketball, swimming, badminton and football), click the icon to start sports, can support 100+ kinds of sports push on the APP end.