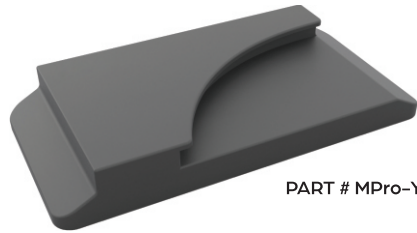




prospecelectronics.com | 843.849.9037



PART # MPro-Y1000/WPC

This JBL receiver offers a soft silicone rubber cover accessory for additional protection.

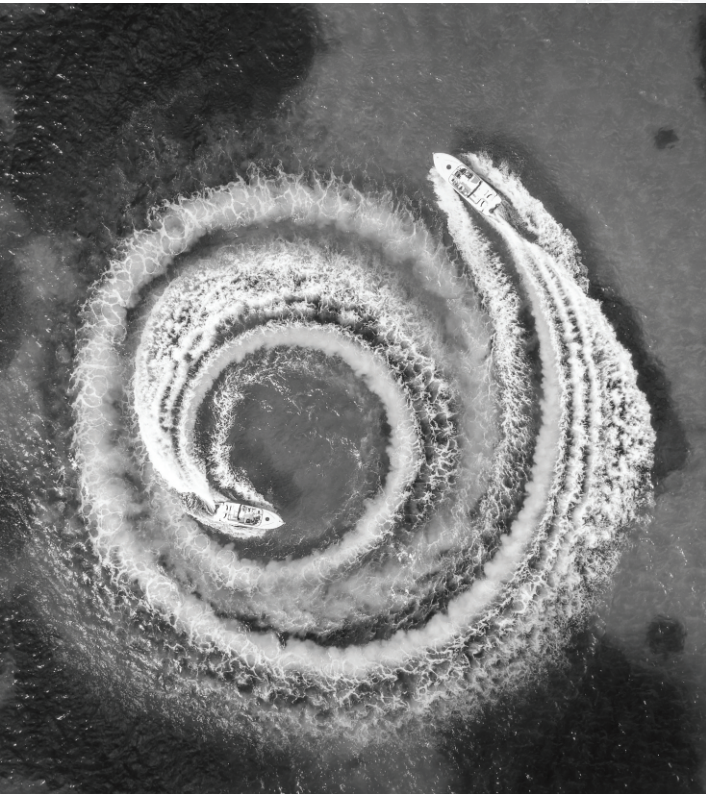
**Go to our website to purchase this and other accessories.**

# JBL

## Operation Manual for Users

Model No.: JBL-R4500





## JBL-R4500

---

Table of Contents	1
Product Description	2
Front Panel	3
General Operation	4-7
Radio Section Operation	8-9
Bluetooth Section Operation	10-11
USB Section Operation	12-13
iPod/iPhone Operation	14
Auxiliary Input	15
RCA output	15
Wiring Identification	16
Installation Bulletin	16
Installation	17
Troubleshooting	18

## Product Description

### Bluetooth™

This radio features state of the art Bluetooth technology allowing music to wirelessly stream from an audio source to the receiver you just purchased. Why Bluetooth? From a practical standpoint, Bluetooth enables your music device (if applicable) to be placed in a glove box, your overhead console, or even your pocket—places that are dry—without having to install a separate docking station. In addition, Bluetooth audio streaming will work with any Bluetooth enabled device, not just one brand of media. Once connected, you can use your receiver to control your media device and vice versa! Bluetooth has a range of approximately 30', depending upon conditions, so once your boat is parked, feel free to control the stereo through your media device!

The JBL-R4500 incorporates the following features:



**AM/FM/WB/RBDS**



**Bluetooth Audio Streaming**



**USB input**



**Auxiliary input**



**Waterproof faceplate**



**4x50W Peak @ 4 ohms**



**U.S. and European tuning**



**Charging through USB**



**3 pair of RCA output**

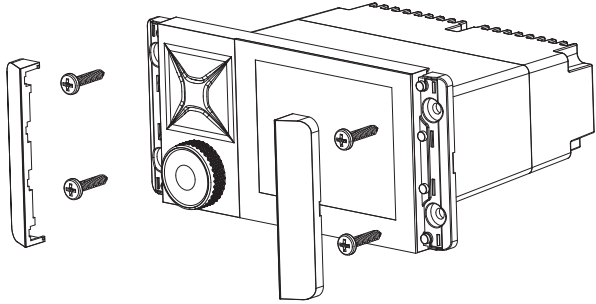
## Troubleshooting

\*Note: In many respects, a stereo acts much like a computer and occasionally requires a reboot. In the unlikely event of product malfunction, a reset can usually fix the issue.

Reset: Press and hold **MENU** knob over 3s to display **SETUP**, or turn **VOL** knob at Home Screen and push **SEL** at **SETUP**. Then turn **VOL** knob and push it at **ABOUT**, it will display firmware information on the screen; press and hold **SEL** knob for about 5s until Factory Reset appears on the display screen, then select [YES] and press **SEL** knob to confirm your selection.

ISSUE	CAUSE	SOLUTION
No power	<ol style="list-style-type: none"> <li>1. Incorrect wiring</li> <li>2. Fuse is blown</li> <li>3. Low battery voltage</li> </ol>	<ol style="list-style-type: none"> <li>1. Double check wiring.</li> <li>2. Replace fuse</li> <li>3. Check voltage of vehicle battery with multimeter. Voltage must be at least 11V.</li> </ol>
No Sound	<ol style="list-style-type: none"> <li>1. Speaker connection came loose</li> <li>2. Bad speaker</li> <li>3. Output blown</li> <li>4. Volume too low</li> </ol>	<ol style="list-style-type: none"> <li>1. Double check connections.</li> <li>2. Replace bad speaker with known good speaker and connect.</li> <li>3. Send unit in for repair.</li> <li>4. Increase volume of media device</li> </ol>
No Reception	<ol style="list-style-type: none"> <li>1. Antenna not firmly seated in socket.</li> </ol>	<ol style="list-style-type: none"> <li>1. Insert firmly</li> </ol>
USB stick not reading	<ol style="list-style-type: none"> <li>1. File must be a mp3 or wma file</li> </ol>	<ol style="list-style-type: none"> <li>1. Convert format to mp3 or wma.</li> </ol>
While in Bluetooth mode:		
No Connection	<ol style="list-style-type: none"> <li>1. You are not connected to the "R4500" address on your portable media device.</li> <li>2. Out of range</li> <li>3. The connection is already in use.</li> </ol>	<ol style="list-style-type: none"> <li>1. Choose "R4500"</li> <li>2. Bring portable media device closer to the receiver. Device needs to be within 30'.</li> <li>3. Ask your boating buddy who is currently connected to disconnect.</li> </ol>

## Installation



A mounting gasket has been added inside the package for convenience. Trace along the inside edge and this will be your cutout.

### Mounting Illustration

1. Please install this unit in the place you prefer.
2. Use the mounting template and screw to fix the unit.

## Product Description

### FCC Statement:

This equipment has been tested and found to comply with the limits for a Class B digital device, pursuant to Part 15 of the FCC Rules. These limits are designed to provide reasonable protection against harmful interference in a residential installation. This equipment generates uses and can radiate radio frequency energy and, if not installed and used in accordance with the instructions, may cause harmful interference to radio communications. However, there is no guarantee that interference will not occur in a particular installation. If this equipment does cause harmful interference to radio or television reception, which can be determined by turning the equipment off and on, the user is encouraged to try to correct the interference by one or more of the following measures:

- Reorient or relocate the receiving antenna.
- Increase the separation between the equipment and receiver.
- Connect the equipment into an outlet on a circuit different from that to which the receiver is connected.
- Consult the dealer or an experienced radio/TV technician for help.

This device complies with part 15 of the FCC Rules. Operation is subject to the following two conditions:

- (1) This device may not cause harmful interference, and
- (2) this device must accept any interference received, including interference that may cause undesired operation.

Changes or modifications not expressly approved by the party responsible for compliance could void the user's authority to operate the equipment.