



Simplify your life
AV Access

HDW100

1080P Wireless HDMI Extender

User Manual

Disclaimers

The information in this manual has been carefully checked and is believed to be accurate. AV Access Technology Limited assumes no responsibility for any infringements of patents or other rights of third parties which may result from its use.

AV Access Technology Limited assumes no responsibility for any inaccuracies that may be contained in this document. AV Access Technology Limited also makes no commitment to update or to keep current the information contained in this document.

AV Access Technology Limited reserves the right to make improvements to this document and/or product at any time and without notice.

Copyright

Copy, Reproduce, Distribute and/or Edit of this document or part of it as well as utilization of its contents and communication thereof to others without express authorization are prohibited. Offenders will be held liable for payment of damages. All rights created by patent grant or registration of a utility model or design patent are reserved. Copyright ©2017 AV Access Technology Limited All rights reserved.

Trademarks Notice

All products or service names mentioned in this document may be trademarks of the companies with which they are associated.

Contact Us

Email: info@avaccess.com

Important Safety Instructions

- Do not expose this device to rain, moisture, dripping or splashing. No objects filled with liquids, such as vases, shall be placed on the device.
- Do not install or place this unit in a bookcase, built-in cabinet, or in another confined space. Ensure the unit is well ventilated.
- To prevent risk of electric shock or fire hazard due to overheating, do not obstruct the unit's ventilation openings with newspapers, tablecloths, curtains, or similar items.
- Do not install near any heat sources such as radiators, heat registers, stoves, or other device (including amplifiers) that produce heat.
- Do not place sources of naked flames, such as lighted candles, on the unit.
- Clean this device only with dry cloth.
- Unplug this device during lightning storms or when unused for long periods of time.
- Protect the power cord from being walked on or pinched, particularly at plugs.
- Only use attachments / accessories specified by the manufacturer.
- Refer all servicing to qualified service personnel.

Table of Contents

Introduction	2
Overview.....	2
Features.....	2
Package Contents	2
Application	3
Panel Layout	4
Installation	5
Specifications	6
FAQs	7
Warranty	9
FCC Statement	9
IC Statement	10
Distance Statement	11

Introduction

Overview

The 1080P wireless HDMI extender set extends HDMI signals from a source device to a display device wirelessly up to 200 meters or through a Cat 5e/6 cable up to 120 meters. Great for homes and offices.

Features

- Transmits 1080P HDMI signals up to 200 meters wirelessly.
- Transmits 1080P HDMI signals up to 120 meters through a Cat 5e/6 cable.
- HDMI loop-out on the transmitter to connect to a local display, allows easy monitoring of the source signal.
- IR extension allows you to control the source device from a remote location.

Package Contents

Before you start the installation of the product, please check the package contents:

1 x Transmitter; 1 x Receiver; Others: 2 x Antennas; 2 x Power Adapters (DC 5V 1A); 2 x Exchangeable US Plugs; 1 x IR Emitter; 1 x IR Receiver; 4 x Mounting Ears (with Screws); 1 x User Manual

Application

(1) 1-1 Wireless Transmission

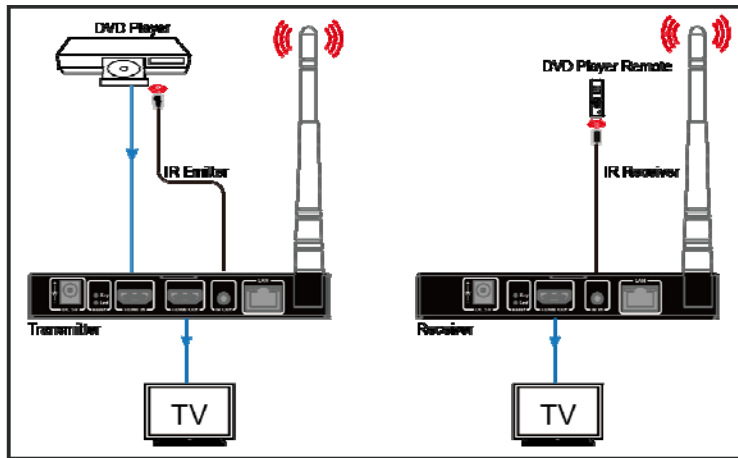


Fig 1

(2) 1-1 Wired Transmission

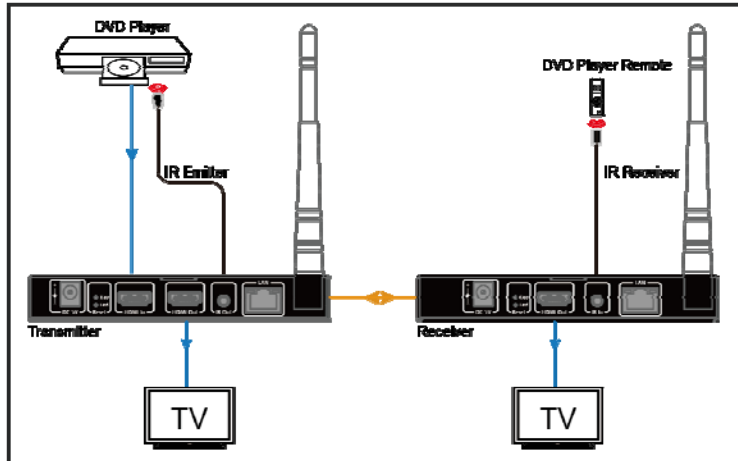
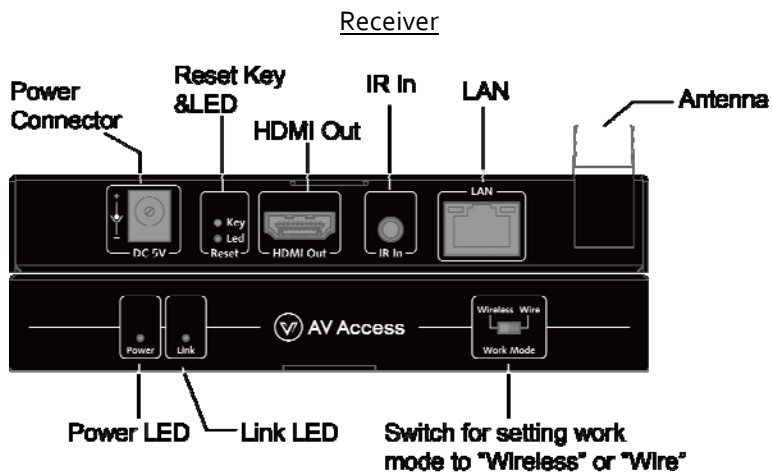
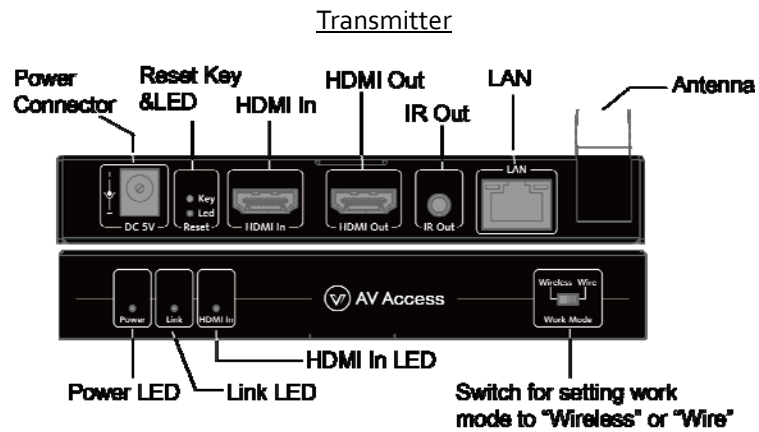


Fig 2

Note:

"Work Mode"	Fig 1	Fig 2
Transmitter	Wireless	Wire
Receiver	Wireless	Wire

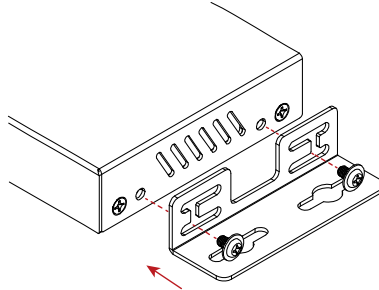
Panel Layout



Installation

The device can be placed on a stable surface. To install the device to a suitable location, perform the following:

1. Position and install the mounting brackets using the mounting screws provided.



2. Repeat above step for the other side of the device.
3. Attach the brackets to the surface you want to hold the device against using the screws (not included).

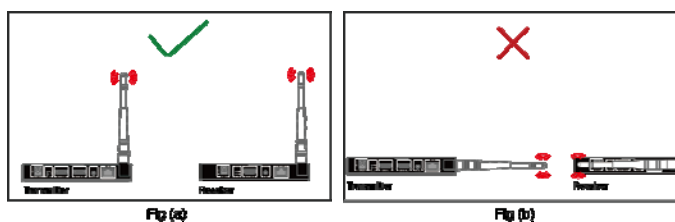
Specifications

Technical	
Input A/V Port	Transmitter: 1 x HDMI Receiver: 1 x LAN, 1 x WLAN
Input Resolutions	Up to 1080P@60Hz
Output A/V Port	Transmitter: 1 x HDMI, 1 x LAN, 1 x WLAN Receiver: 1 x HDMI
Output Resolutions	Up to 1080P@60Hz
Compliance	HDMI 1.3, HDCP 1.4
Transmission Distance	Wireless: 200m/656ft (line of sight) Wired: 120m/394ft

General	
Operating Temperature	+32°F ~ +113°F (0°C ~ +45°C) 10% ~ 90%, non-condensing
Storage Temperature	-4°F ~ 140°F (-20°C ~ +70°C) 10% ~ 90%, non-condensing
Power Supply	DC 5V 1A
Power Consumption	TX: 3.5W (Max) RX: 1.6W (Max)
ESD Protection	Human body model: • ±8kV (air-gap discharge) • ±4kV (contact discharge)
Product Dimension (W x H x D)	140mm x 21mm x 80mm/5.5" x 0.83" x 3.15" each for TX and RX (Antennas not included)
Net Weight	TX: 0.31kg; RX: 0.30kg
Gross Weight	1.10kg

FAQs

1. What should I do when Link LED is on, but there's no video output on the remote display?
 - Check and ensure the Work Mode switches on both transmitter and receiver(s) are set to the same positions (both at "Wireless" or "Wire").
 - Check and ensure the HDMI source is powered on, and the transmitter's HDMI In LED is on.
 - Connect the HDMI source device directly to the display to see if there's signal output.
2. How to deal with poor video quality?
 - Check if the HDMI cables are connected properly. Use different HDMI cables if necessary.
 - Change the angles of the antennas on transmitter and receiver to make the antennas parallel to each other (refer to Fig a). Operation in Fig b&c is not recommended.



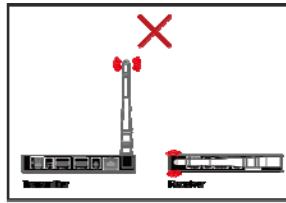


Fig (c)

- Decrease the distance between the transmitter and receiver to ensure it is within the available transmission range.
 - Remove other wireless signals and move any obstacles that are blocking the signal line-of-sight.
3. Why does the IR remote controller seem not sensitive enough?
- Avoid to press and hold the IR remote controller's buttons. Try to short press them intermittently instead.

Warranty

Products are backed by a limited 1-year parts and labor warranty. For the following cases AV Access Technology Limited shall charge for the service(s) claimed for the product if the product is still remediable and the warranty card becomes unenforceable or inapplicable.

1. The original serial number (specified by AV Access Technology Limited) labeled on the product has been removed, erased, replaced, defaced or is illegible.
2. The warranty has expired.
3. The defects are caused by the fact that the product is repaired, dismantled or altered by anyone that is not from an AV Access Technology Limited authorized service partner. The defects are caused by the fact that the product is used or handled improperly, roughly or not as instructed in the applicable User Guide.
4. The defects are caused by any force majeure including but not limited to accidents, fire, earthquake, lightning, tsunami and war.
5. The service, configuration and gifts promised by salesman only but not covered by normal contract.
6. AV Access Technology Limited preserves the right for interpretation of these cases above and to make changes to them at any time without notice.

Thank you for choosing products from AV Access.

FCC Statement

This equipment has been tested and found to comply with the limits for a Class B digital device, pursuant to part 15 of the FCC Rules. These limits are designed to provide reasonable protection against harmful interference in a residential

installation. This equipment generates, uses and can radiate radio frequency energy and, if not installed and used in accordance with the instructions, may cause harmful interference to radio communications. However, there is no guarantee that interference will not occur in a particular installation. If this equipment does cause harmful interference to radio or television reception, which can be determined by turning the equipment off and on, the user is encouraged to try to correct the interference by one or more of the following measures:

- Reorient or relocate the receiving antenna.
- Increase the separation between the equipment and receiver.
- Connect the equipment into an outlet on a circuit different from that to which the receiver is connected.
- Consult the dealer or an experienced radio/TV technician for help.

Changes or modifications not expressly approved by the party responsible for compliance could void the user's authority to operate the equipment.

The distance between user and products should be no less than 20cm

IC Statement

This device contains licence-exempt transmitter(s)/receiver(s) that comply with Innovation, Science and Economic Development Canada's licence-exempt RSS(s). Operation is subject to the following two conditions:

- (1) This device may not cause interference.
- (2) This device must accept any interference, including interference that

may cause undesired operation of the device.

L'émetteur/récepteur exempt de licence contenu dans le présent appareil est conforme aux CNR d'Innovation, Sciences et Développement économique Canada applicables aux appareils radio exempts de licence. L'exploitation est autorisée aux deux conditions suivantes:

- (1) L'appareil ne doit pas produire de brouillage;
- (2) L'appareil doit accepter tout brouillage radioélectrique subi, même si le brouillage est susceptible d'en compromettre le fonctionnement.

Distance Statement

The distance between user and products should be no less than 20cm.

La distance entre l'utilisateur et le produit ne doit pas être inférieure à 20 cm.



AV Access Technology Limited

V1.0.0