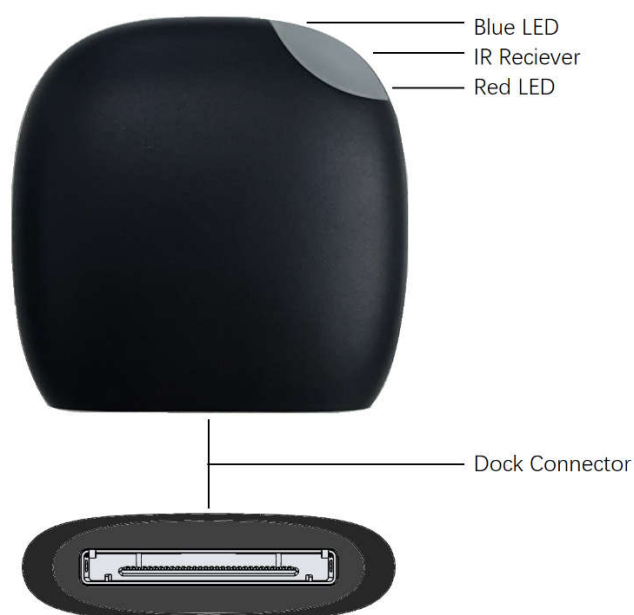
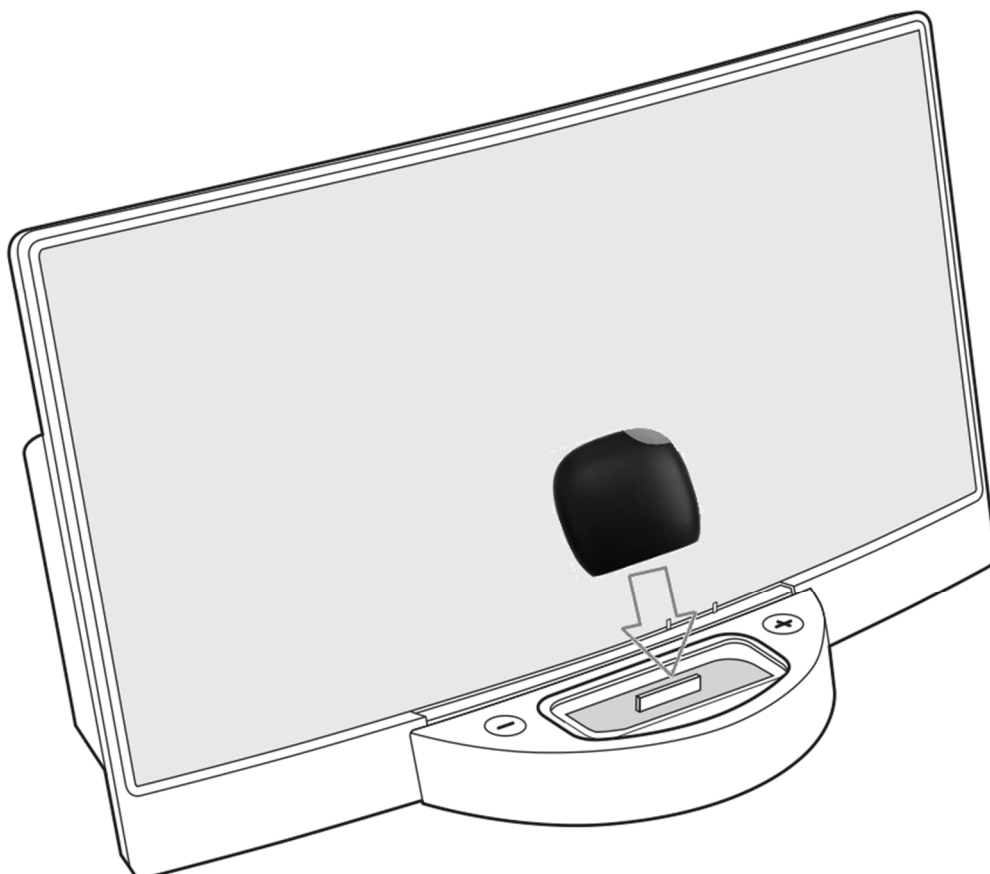


## Product Details

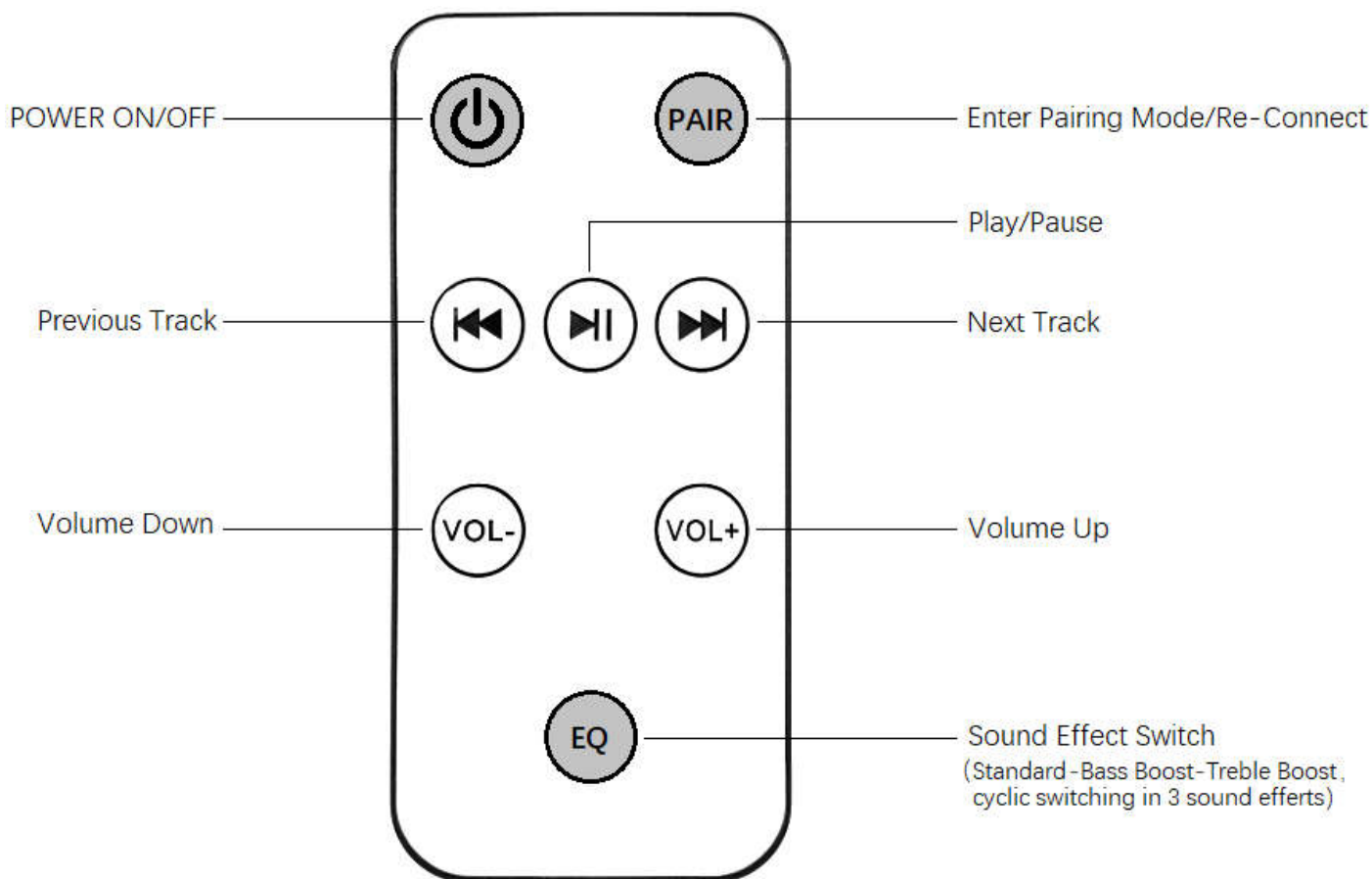


## Setup Instructions

- Insert the adapter to Speaker Dock's connector, LED window side is frontal and face outward.
- Turn on the power of Speaker Dock and switch the input source channel to IPOD (no need to operate if IPOD is the only channel).
- Paired the device, adjust the volume of Speaker Dock and adapter to appropriate value (pairing step please refer to "Pairing Method").
- Music play and control can be operated on the cellphone or use remote controller (please refer to "Remote Controller Navigation" ).

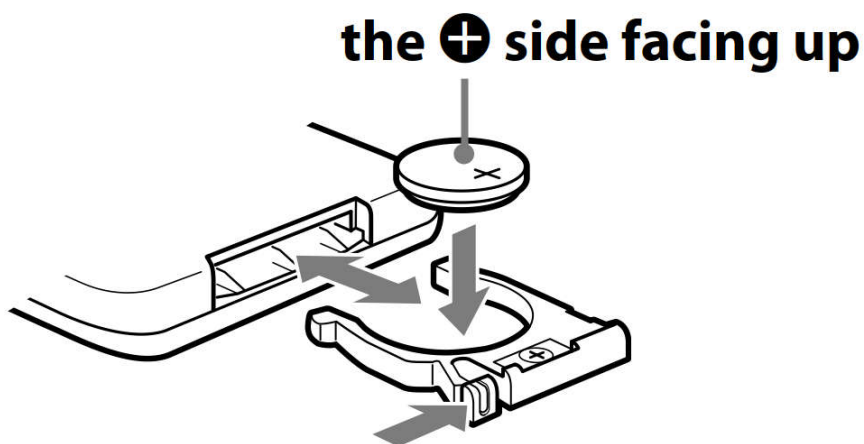


## Remote Controller Navigation



## Replace Battery for Remote Controller

With normal use, the battery (CR2025) should last for about 6 months. When the remote controller no longer operates the unit, replace the battery with a new one. If you are not going to use the remote commander for a long time, remove the battery to avoid any damage that cause by leakage and corrosion.



## Pairing Method

- When first time use the adapter it automatically enter pairing mode when power on (Red LED and blue LED flashing alternately). If it doesn't enter pairing mode, please press "PAIR" key on remote controller to make the adapter enter pairing mode.
- Open the BT setting on your cellphone or the devices with BT function, then search the BT devices and choose pairing name "C30", Enter "0000" pin code if needed.
- The Blue LED flash slowly when it is paired successfully.

### Note:

1. When the distance between the adapter and the BT devices is far than 10 meters (33 feet), the adapter may disconnect from the devices. After that, once they are in the range of 10 meters (33 feet), they will automatically reconnect. But if the adapter disconnects from the device over 3 minutes it may enter timeout mode and cannot automatically reconnect, this time need to press "PAIR" key on remote controller to reconnect or reconnect it at cellphone BT setting menu.
2. If the adapter has paired, you can force the adapter "Enter pairing mode" again which another cellphone can find the adapter and connect it.

## Connect Two Devices

- Follow the pairing method, pair the first cellphone and then "Enter pairing mode" again to pairing the second cellphone.
- Enter the cellphone setting interface of the first cellphone, and connect the device C30 again.

## LED Indicator

- Red LED always on: Power off
- Red LED and Blue LED flashing alternately: pairing mode
- Blue LED flashing slowly: connected/playing music
- Red LED short light once: Remote controller's command received indicator.

## Specification

- BT effective range: 10 meters (33 feet)
- Remote controller effective range: 6 meters (20 feet)
- Remote controller battery: CR2025

## Troubleshooting

Symptom	Possible Problem	Solution
Cannot power on	Check Speaker Dock whether power on or not, check whether adaptor is firmly mount to Speaker Dock's connector.	Power on Speaker Dock, pull and insert the adaptor to Speaker Dock's connector again.
No sound	Speaker Dock input source not switch to IPOD channel.	Speaker Dock input source select to IPOD channel.
Cannot automatic connection	Adapter auto connect timeout and enters standby mode.	Press remote controller "PAIR" key , wait and it will reconnect in few seconds; Also, use remote controller "Power on/off" key to power off and power on it again can force it reconnect.
Cannot discover adapter	Adapter not enter pairing mode	Press remote controller "PAIR" key, then the Red LED and Blue LED flashing alternately, indicate it entered pairing mode.
Remote controller no function	Battery (CR2025) exhausted, remote distance or angle out of range	Replace a new battery (CR2025); Use the remote controller within an effective distance (about 6 meters).

## Storage & Maintenance

- Please store the wireless adapter in a cool and dry place. The working temperature is -10~45°C ( 14~113°F).
- Adapter is not waterproof, please don't put the adapter into water,
- please use soft cloth to wipe clean.
- Do not use any sharp objects in connect with adapters.
- Do not use in extremely high or low temperature or humid environment

**Note:** Design and specifications are subject to change without notice.

NOTE: This equipment has been tested and found to comply with the limits for a Class B digital device, pursuant to part 15 of the FCC Rules. These limits are designed to provide reasonable protection against harmful interference in a residential installation. This equipment generates uses and can radiate radio frequency energy and, if not installed and used in accordance with the instructions, may cause harmful interference to radio communications. However, there is no guarantee that interference will not occur in a particular installation. If this equipment does cause harmful interference to radio or television reception, which can be determined by turning the equipment off and on, the user is encouraged to try to correct the interference by one or more of the following measures:

- Reorient or relocate the receiving antenna.
- Increase the separation between the equipment and receiver.
- Connect the equipment into an outlet on a circuit different from that to which the receiver is connected.
- Consult the dealer or an experienced radio/TV technician for help

Changes or modifications not expressly approved by the party responsible for compliance could void the user's authority to operate the equipment.

This device complies with Part 15 of the FCC Rules. Operation is subject to the following two conditions:

- (1) this device may not cause harmful interference, and
- (2) this device must accept any interference received, including interference that may cause undesired operation.

## Product Warranty

Product Name: \_\_\_\_\_

Product Model Number:   C30  

Purchase Date: \_\_\_\_\_

Invoice Number: \_\_\_\_\_

Customer Name: \_\_\_\_\_

Customer Phone: \_\_\_\_\_

Customer Address: \_\_\_\_\_

## Warranty Terms

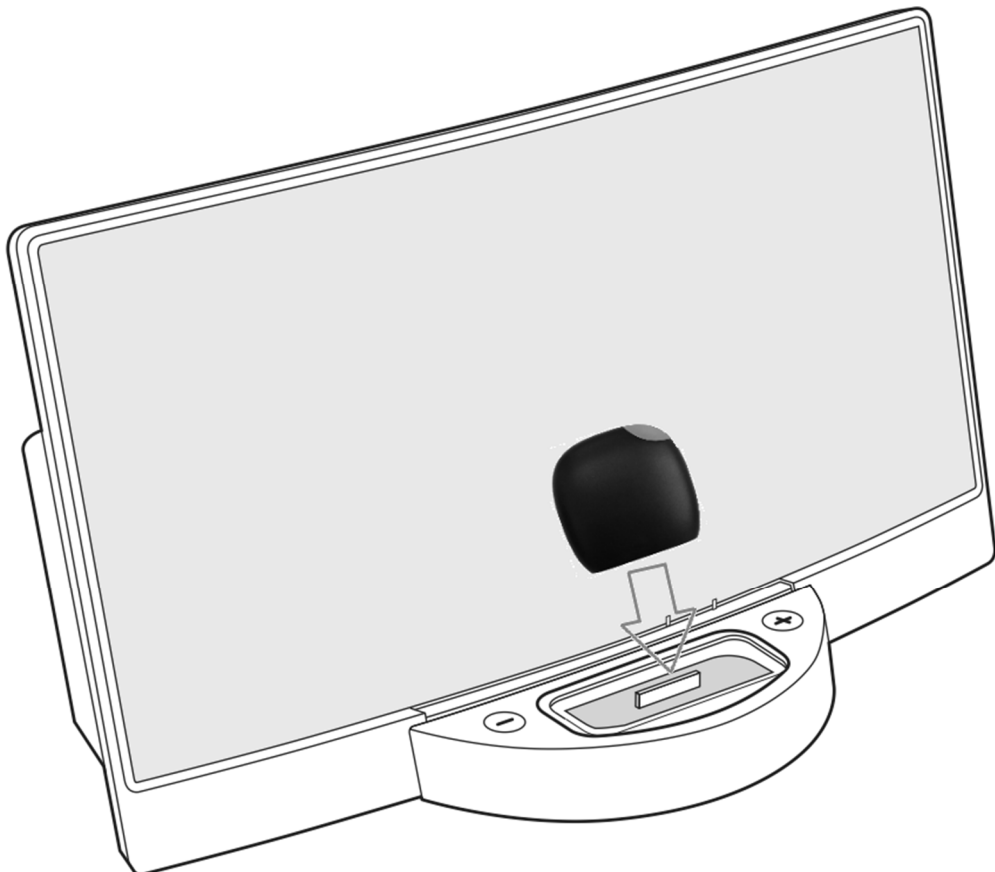
1. There is a manual and warranty card in the package. User fill out the warranty card as the warranty certificate.
2. When adapter quality problems occur in normal use and not more than a year since the date of purchased, users can enjoy free repair services.
3. Which of the following do not belong to the scope of warranty:
  - A. Warranty card without dealer signature or seal.
  - B. Artificial or force majeure cause damage.
  - C. Machine to normal wear and tear.
4. Such as the failure of human, more than the warranty period and irresistible reasons, we will collect repair costs.
5. If the product be sent back to factory for repair, please contact us, and fill the warranty cards with your name, address, telephone and fault phenomena.

产品示意图

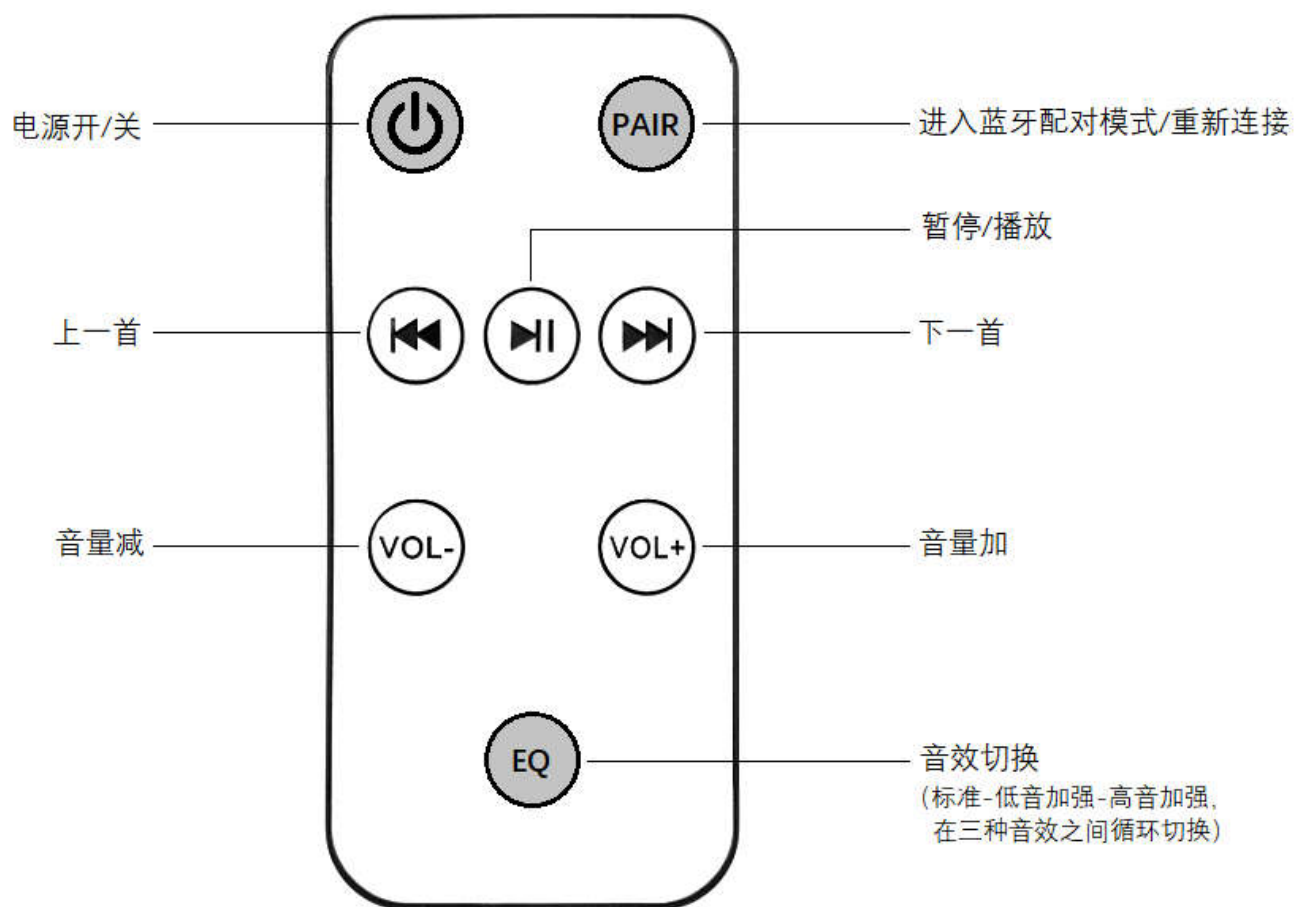


使用方式

- 将产品插在 Dock 音箱基座接口上，LED 灯窗口这面为正面朝外。
- 开启 Dock 音箱电源并将音源选择为 IPOD 输入（若只有 IPOD 输入的 Dock 不需要此操作）。
- 配对设备，将 Dock 音量和音乐音量调到合适值（配对方式请见“无线配对步骤”）。
- 音乐播放控制可在手机上操作或使用遥控器操作（详见“遥控器功能说明”）。

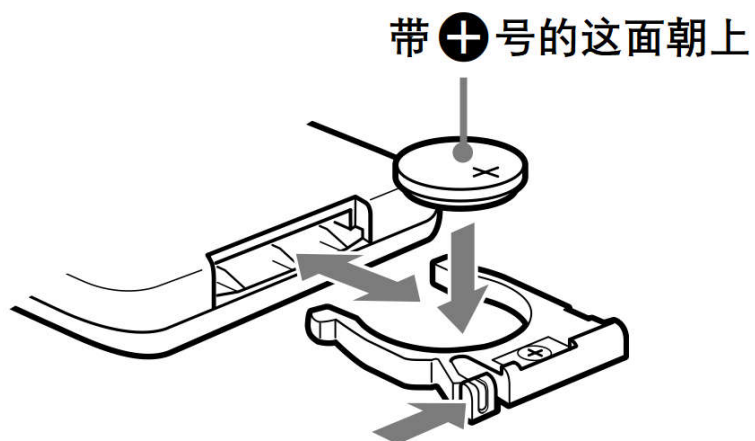


## 遥控器功能说明



## 遥控器电池更换

- 正常使用情况下，遥控器电池 (CR2025) 可用约 6 个月。当遥控器不能使用时请按图示更换电池。
- 如果长时间不使用遥控器，取出电池以防止电池漏液腐蚀损坏遥控器。



## 无线配对步骤

- 产品首次使用时上电自动进入配对模式（红、蓝 LED 灯交替闪烁），如果未出现，可按遥控器“PAIR”键进入配对模式。
- 打开手机 BT，搜索设备，选择“C30”进行配对，如果需要输入配对码，请输入“0000”。如果配对失败，请重复上面操作步骤。
- 配对成功后，蓝灯慢闪。

注意：

- 1、当与设备的连接距离超出 BT 的有效距离（10 米或 33 英尺）时，适配器将与设备断开连接。此后，一旦它们再次处于 BT 有效距离范围内，它们会自动重新连接。但是，如果适配器与所连设备断开超过 3 分钟，您可能需要按遥控器“PAIR”按键，以重新连接设备。
- 2、如果适配器连接过设备，再次打开时，适配器会自动回连上一次的 BT 设备。
- 3、如果开机配对成功后，再次“进入配对模式”，此时别的手机可以连接到此适配器。

## 多点连接一拖二功能

- 按配对步骤，配对第一个手机后，再次“进入配对模式”，此时可配对第二个手机使用。
- 要再次使用第一个手机连接时，需要在 BT 设置界面再次连接刚才断开的 C30。

## LED 灯提示

- 红色常亮：关机
- 红色与蓝色交替闪烁：配对模式
- 蓝色慢速闪烁：已连接，正在播放音频
- 红色短亮：红外遥控指令接收成功提示

## 规格参数

- 无线有效距离：10 米(33 英尺)
- 红外遥控有效距离：6 米(20 英尺)
- 遥控器电池：CR2025



## 故障诊断及解决措施

问题	故障原因	解决措施
不能开机	检查 Dock 音箱电源是否开启，检查 Dock 音箱与适配器接口是否插入安装到位	打开 Dock 电源，重新拔插适配器
没有声音	Dock 音箱音源未切换为 IPOD 通道	Dock 音箱音源选择为 IPOD 通道
不能自动连接	产品自动连接时间超时	按遥控器“PAIR”键，等待几秒钟可重新回连，或用遥控器关机再开机以重新连接。
无法配对适配器	没有进入配对模式	按遥控器“PAIR”键，红蓝 LED 灯交替闪烁即进入配对模式
遥控器无功能	遥控器电池耗尽；遥控距离、角度超过有效范围	更换遥控器电池； 在遥控器有效距离内使用(约 6 米)

## 存储与维护

- 请将产品存放在阴凉，干燥的地方。工作温度-10~45° C ( 14~113° F)。
- 本产品不防水，清洁时请使用干净的软布进行擦拭。
- 请勿将任何尖锐物体接触适配器。
- 请勿在温度极高或极低或潮湿的环境下使用。

注意：设计和规格如有变更，恕不另行通知。

## 产品保修单

产品品牌: \_\_\_\_\_  
产品型号: C30 \_\_\_\_\_  
用户姓名: \_\_\_\_\_  
购买日期: \_\_\_\_\_  
联系电话: \_\_\_\_\_  
联系地址: \_\_\_\_\_  
电子邮箱: \_\_\_\_\_  
购买渠道: \_\_\_\_\_

## 保修条款

- 1、用户购机时，随机附带有一本说明书及保修卡。用户填好后妥善保管，作为保修凭证。
- 2、自购机之日起，一年之内适配器在正常使用下出现问题，持卡用户可免费享受保修服务。以下不属于保修范围：
  - A 保修卡无销售单位签字或盖章；
  - B 人为或不可抗拒因素造成损坏；
  - C 机器正常磨损；
- 3、若因人为、超过保修期及不可抗拒因素造成的故障，我们将收取维修费用。
- 4、产品出现故障需要返厂保修时，请联系我司。并填好具体的姓名、地址、电话及故障现象。