

USER MANUAL



Smart Led Ceiling Light



Smart LED Ceiling Light

Set-up is easy and takes only a few minutes by following the instructions.

The smart light can work with both Amazon Alexa and Google Assistant. But the light after being installed will need to be paired with an app called 'Smart Life' first, and then the Smart Life app will need to be bound with either Amazon Alexa or Google Assistant to activate the voice control function.

Therefore, this user guide consists of four parts. Part one and two are fundamental set-up, while part three and four are alternatives. If you use Amazon Alexa for voice control, please follow instructions on part one, two and three.

If you use Google Assistant for voice control, please skip part three, follow the instructions on part one, two and four.

Part One - How to install the light?

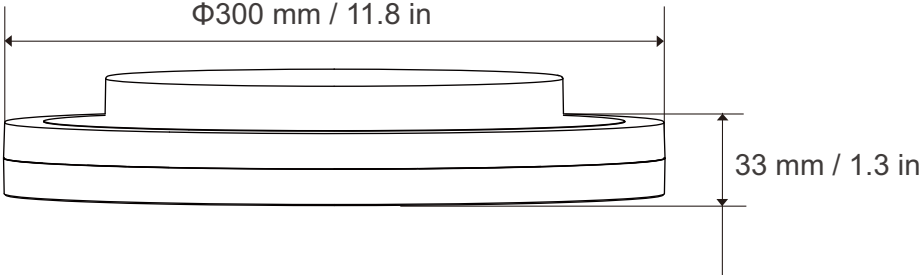
Warning

- (1) Please check if the light and the parts are intact before installation.
- (2) Make sure to cut off power before installation.
- (3) Please do not place this light in corrosive conditions.
- (4) If there is any damage to the cord, please cut off the power and stop using it immediately.
- (5) Please do not retrofit the light within the warranty period.
- (6) To ensure the light works properly, please use the voltage indicated on the packing.

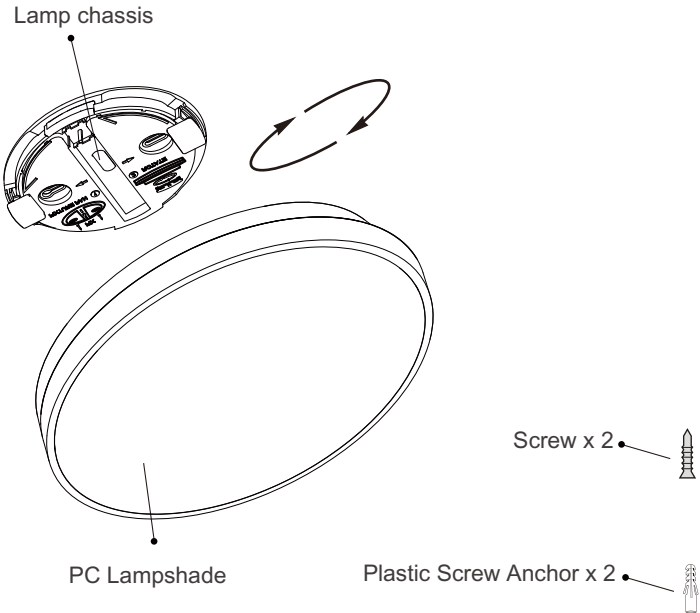
1. Specification

Model	ZL-CWB24-RGBCW-8UN
Wattage	CW:24W RGB:8W
Luminous Flux	CW:2400 lm
Input Voltage	AC120-240V
Frequency	50/60Hz
Color Temperature	2700K-6500K
Dimming	1%-100%
CRI	>80
Beam Angle	120°
Working Temperature	-20°C~40°C

2. Dimension

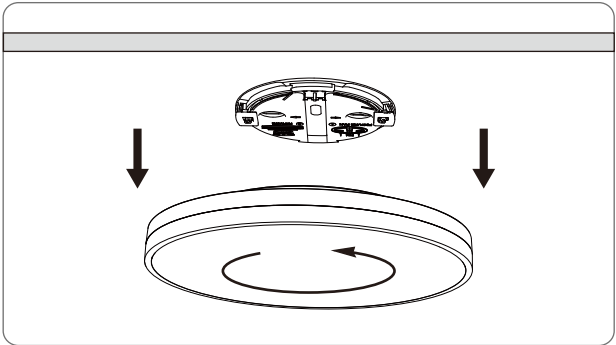


3. Components

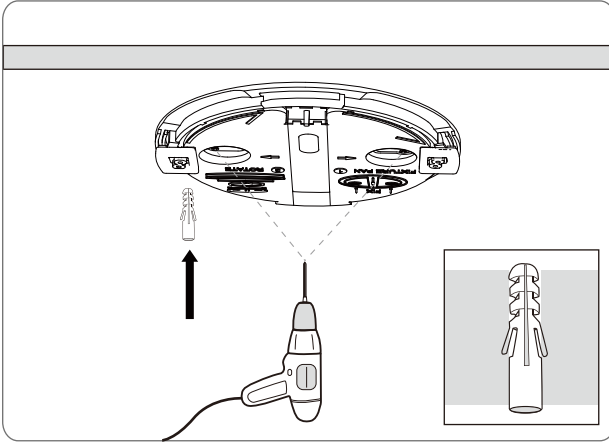


4. Installation

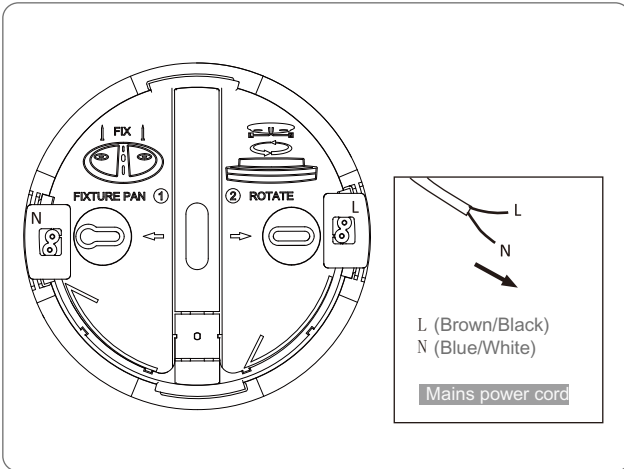
Step 1. Open the lampshade by turning it counterclockwise.



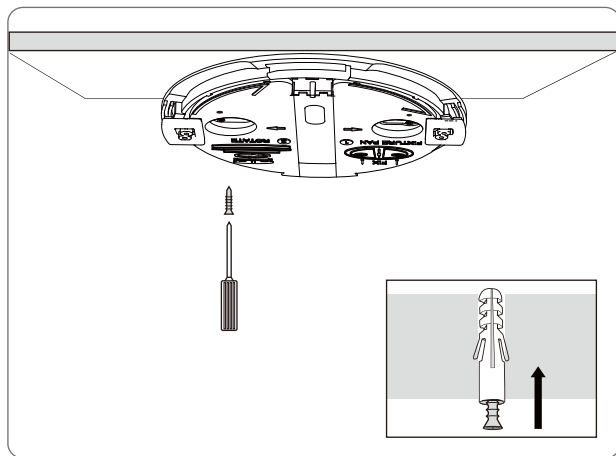
Step 2. There are two screw bits on lamp chassis. Choose two of the bits to make a triangular fixation, drill holes on the ceiling and insert plastic screw anchors into the holes.



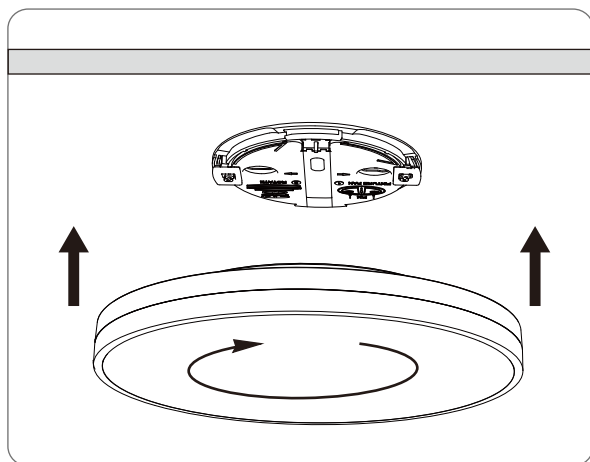
Step 3. Identify the null wire, live wire signs on the wiring port. Pass your power cord through the hole of ceiling lamp chassis, connect your household wires correspondingly to the signs.



Step 4. Put screws into the screw bits on lamp chassis, and fix the lamp chassis onto the ceiling.



Step 5. Put on the lampshade to lamp chassis by turning it clockwise.



5. General Troubleshooting

If the lamp is properly installed, but still fails to work. Please try following solutions first.

- (1) Please cut off the power and check whether the power cord of lamp is properly connected with mains supply.
- (2) If the power cord is correctly connected, please ask a professional to check the input voltage or circuit.

If the solutions mentioned above do not work, please stop using the lamp immediately and contact professionals or the seller for help.

6. Routine Maintenance

- (1) To ensure better lighting, please clean the lamp once a year.
- (2) Please make sure the power is off before routine maintenance.
- (3) To avoid any damage to the lamp, please do not use chemical solvent during routine maintenance.

Part Two - How to pair the light to Smart Life app?



Before starting the pairing, please make sure to turn on the Bluetooth and WiFi on your phone, and connect to the Internet.

The smart light only supports 2.4GHz WiFi network, not 5.0GHz. Please make sure your working network is 2.4GHz, and your phone is connected to it. If your WiFi router supports both 2.4GHz and 5.0GHz, please separate the two frequency bands in the router settings, and select the 2.4GHz for connection.

Step A: Smart Life app installation

Please choose either way below to download and install the app.

(1) As per your phone system, choose the QR code to scan.



iOS



Android

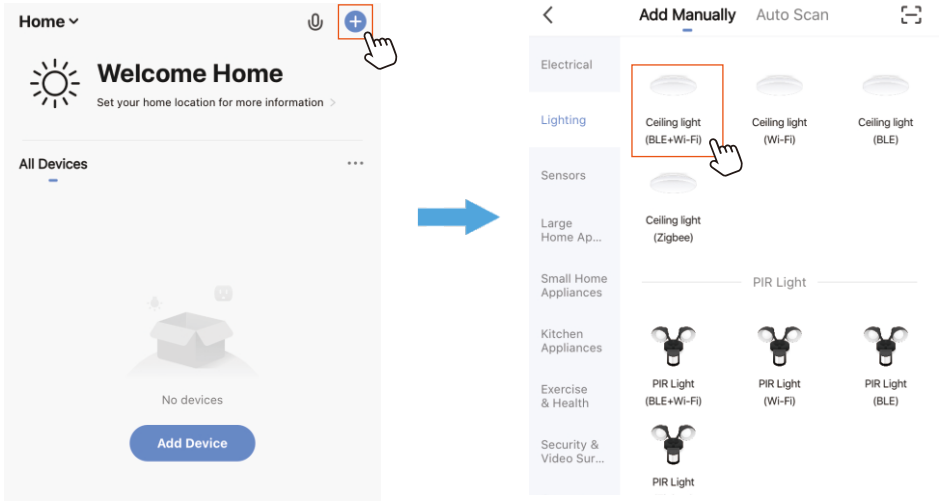
(2) Search keyword 'Smart Life' in Apple Store or Google Play.

Step B: Create an account on Smart Life and login.

Note: Please keep your account and password in mind for Alexa or Google Assistant APP pairing later.

Step C : Add the light to Smart Life App

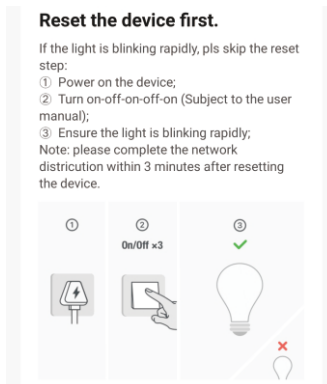
1. Tap '+' button on top right corner to add device, then tap 'lighting' to enter next page.



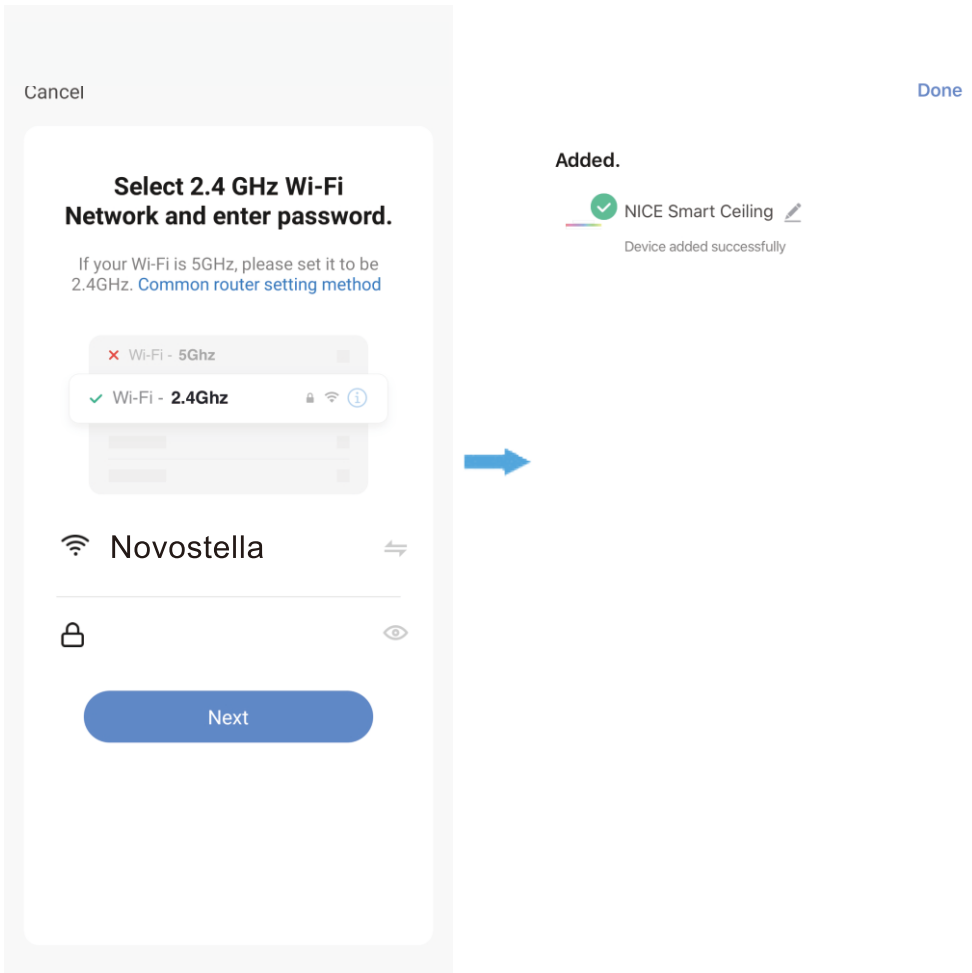
2. WiFi Connection

This smart light only supports 2.4GHz WiFi network, not 5.0GHz. Please make sure your working network is 2.4GHz, and your phone is connected to the required WiFi network.

(1) Power on the light with your own switch.



3. Choose your WiFi network, enter your password, and tap the 'Next' button. Then give a name to the light and tap the 'Done' button.

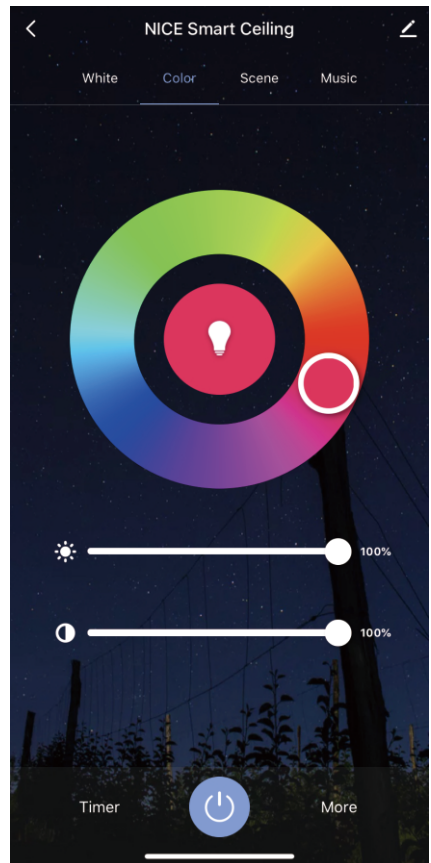
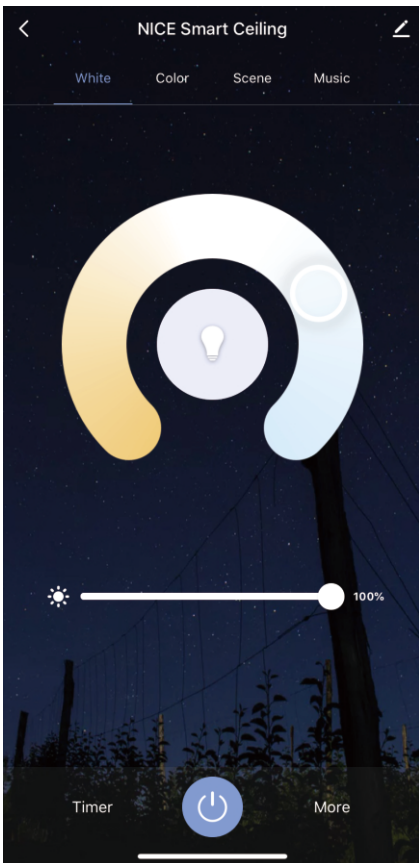


Step D: Give a name to the light

-A simple name is recommended for easier voice recognition with Alexa or Google Assistant.

-The name given to the light will be the same for voice control on Alexa or Google Assistant.

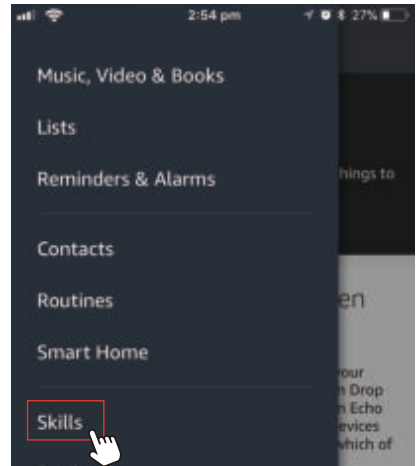
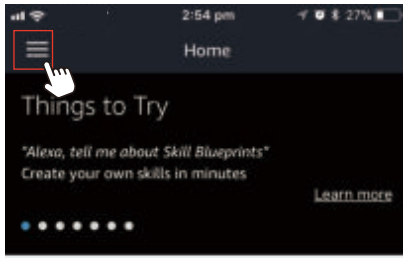
Step E: The named light will be shown on the app homepage. Now you can control the light (turn on/off, change, colors, adjust brightness ect) with Smart Life on the setting page.



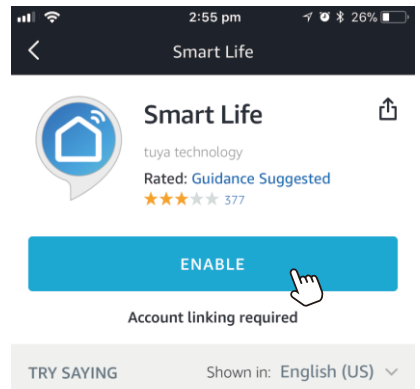
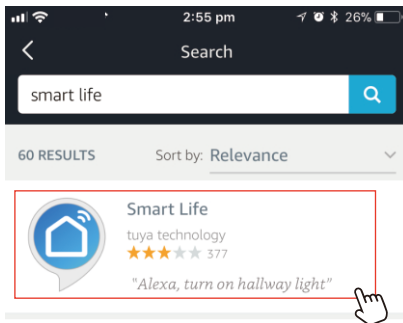
Part Three - How to control the light with Amazon Alexa?

Please make sure that your Alexa app is connected to Echo, and both work well under your WiFi network.

Step A: Log in your Alexa App, tap top left corner, and tap 'Skills'.



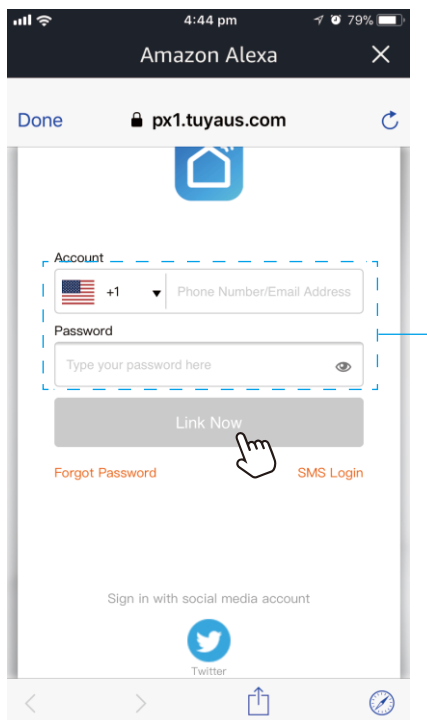
Step B: Type 'Smart Life', find 'Smart Life' from the search result and tap it to enable the skill.



Step C: Enter your Smart Life App account and password. Tap 'Link Now', then tap 'Authorize' on the next page to bind Smart Life account to Alexa.

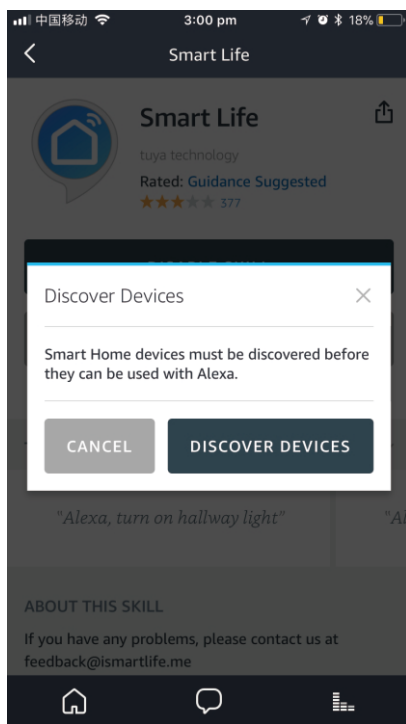
Step D: When your Smart Life account is bound to Alexa, tap 'DISCOVER DEVICES' to detect the light.

Step C



Same account and password as Smart Life App

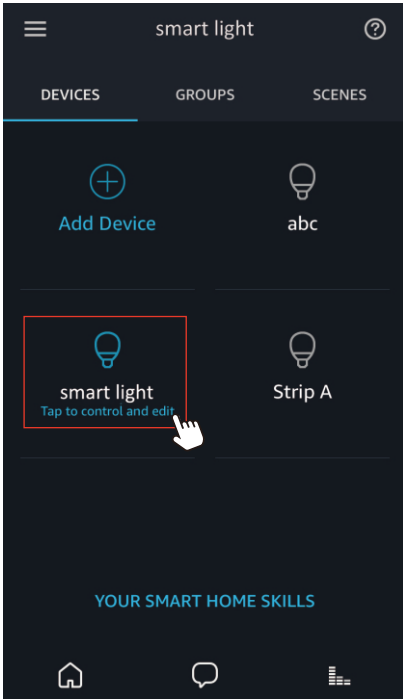
Step D



Step E: When the named light is paired to Alexa from Smart Life, it will show on the device page (see the 'smart light' example).

Step F: Now you can control the light with Alexa App on the setting page. To turn on or off the light, simply tap the bulb icon.

Step G: You can also voice control the light with Alexa by giving these commands: “Alexa, turn on ‘device name’”, “Alexa, set ‘device name’ to ‘color’”, “Alexa, set ‘device name’ to ‘number’”. Device name is the one you give to the light. The light is named ‘smart light’ in this user guide. For example, “Alexa, turn on ‘smart light’”, etc.



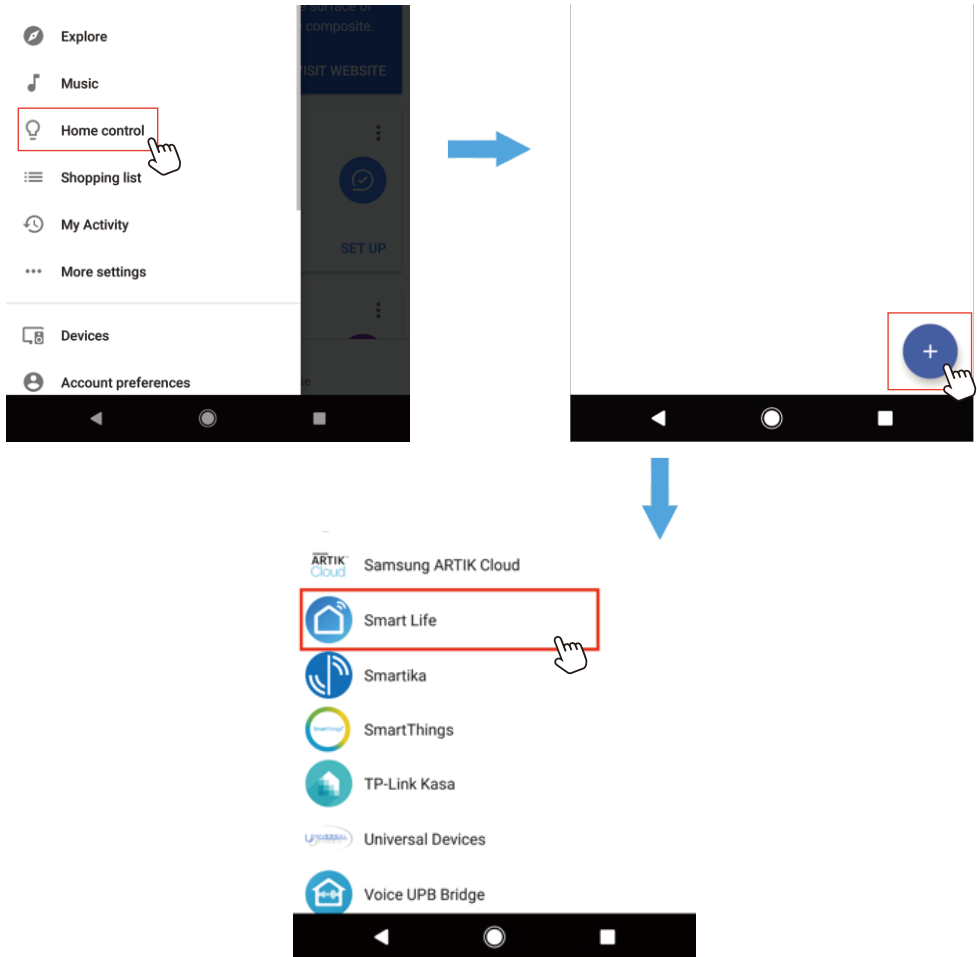
Note: To control the light with Google Assistant, please continue to read Part Four.

Part Four - How to control the light with Google Assistant?

Step A: Login Google Assistant App ,tap 'Home Control' on the left side bar page .

Step B: Tap '+' button on the bottom right to enter next page.

Step C: Find 'Smart Life' from side bar list.

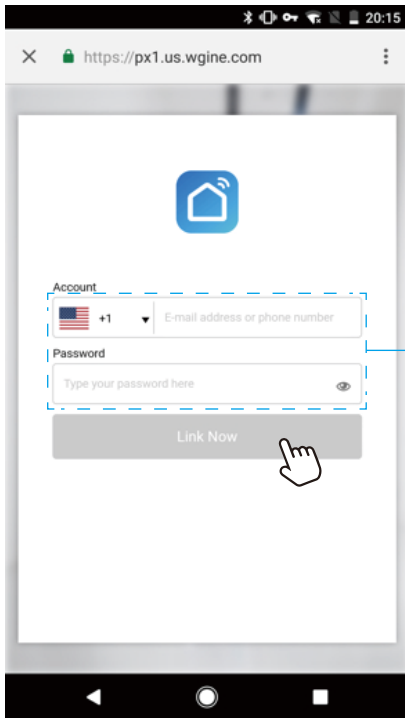


Step D: Enter your Smart Life App account and password to bind Smart Life account to Google Assistant .

Step E: You will find the named light shows on the Home Control page. Now you can control the light on Google Assistant App, or voice control it by giving these commands: “ok Google , turn on ‘device name’”, “ok Google , set ‘device name’ to ‘color’” , “ok Google , set ‘device name’ to ‘number’” .

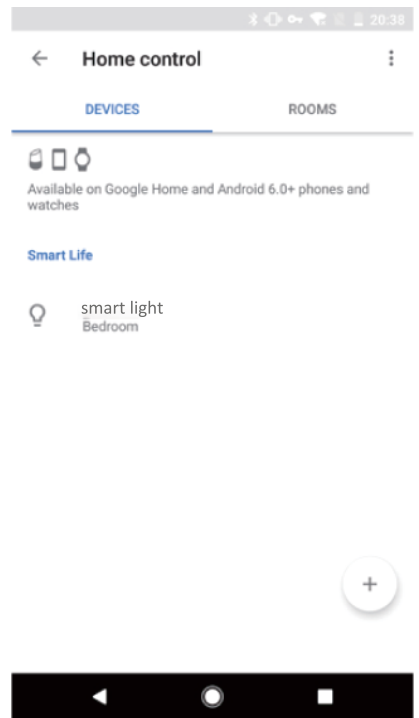
Device name is the one you give to the light . The light is named ‘smart light’ in this user guide . For example , “ok Google , turn on ‘smart light’” .

Step D



Same account and password as Smart Life App

Step E



FCC Statement

This device complies with part 15 of the FCC rules. Operation is subject to the following two conditions: (1) this device may not cause harmful interference, and (2) this device must accept any interference received, including interference that may cause undesired operation.

Changes or modifications not expressly approved by the party responsible for compliance could void the user's authority to operate the equipment.

NOTE: This equipment has been tested and found to comply with the limits for a Class B digital device, pursuant to part 15 of the FCC Rules. These limits are designed to provide reasonable protection against harmful interference in a residential installation. This equipment generates uses and can radiate radio frequency energy and, if not installed and used in accordance with the instructions, may cause harmful interference to radio communications. However, there is no guarantee that interference will not occur in a particular installation. If this equipment does cause harmful interference to radio or television reception, which can be determined by turning the equipment off and on, the user is encouraged to try to correct the interference by one or more of the following measures:

- Reorient or relocate the receiving antenna.
- Increase the separation between the equipment and receiver.
- Connect the equipment into an outlet on a circuit different from that to which the receiver is connected.
- Consult the dealer or an experienced radio/TV technician for help.

Radiation Exposure Statement

To comply with FCC RF exposure compliance requirements, this grant is applicable to only mobile configurations. The antennas used for this transmitter must be installed to provide a separation distance of at least 20cm from all persons and must not be co-located or operating in conjunction with any other antenna or transmitter.