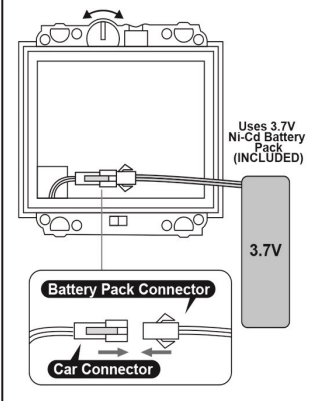


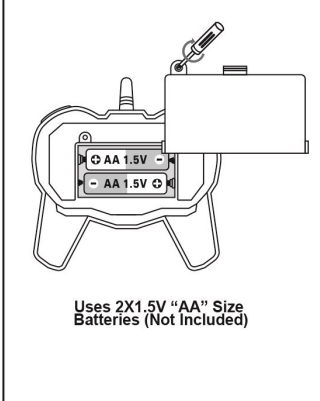
# TURBO-TWISTER Drifter



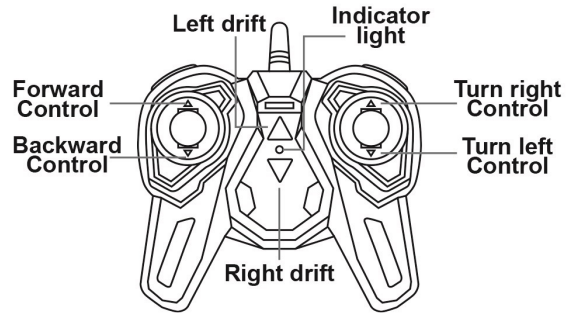
## Car battery installation



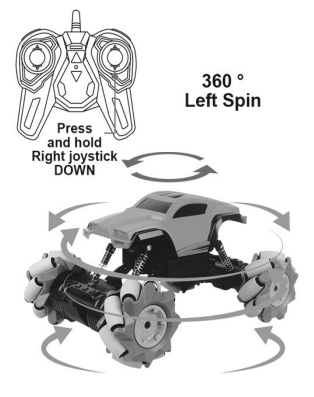
## Remote control battery installation



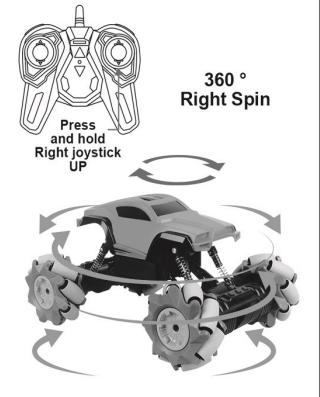
2.4GHz REMOTE CONTROL



## How to Operate 1

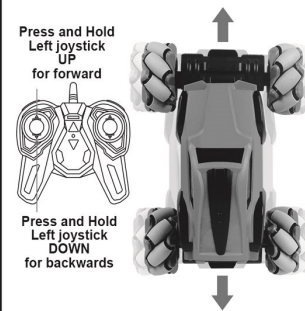


## How to Operate 2



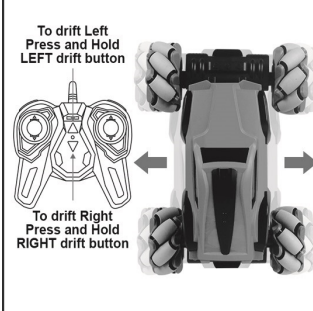
## How to Operate 3

### Forward & Backward Control drift



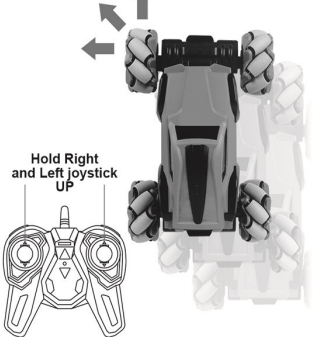
## How to Operate 4

### Left and Right Control drift



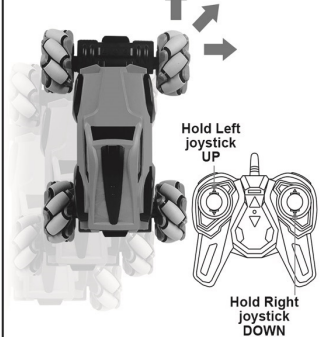
## How to Operate 5

### Upper Left 45° Control drift



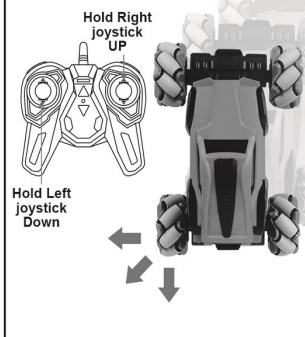
## How to Operate 6

### Upper Right 45° Control drift



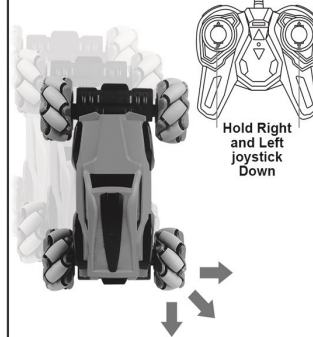
## How to Operate 7

### Bottom Left 45° Control drift



## How to Operate 8

### Bottom Right 45° Control drift



The statements should be displayed in the user manual: changes or modifications not expressly approved by the party responsible for compliance could void the user's authority to operate the equipment.

This equipment has been tested and found to comply with the limits for a Class B digital device, pursuant to Part 15 of the FCC Rules. These limits are designed to provide reasonable protection against harmful interference in a residential installation. This equipment generates, uses and can radiate radio frequency energy and, if not installed and used in accordance with the instructions, may cause harmful interference to radio communications. However, there is no guarantee that interference will not occur in a particular installation.

If this equipment does cause harmful interference to radio or television reception, which can be determined by turning the equipment off and on, the user is encouraged to try to correct the interference by one or more of the following measures:

- Reorient or relocate the receiving antenna.
- Increase the separation between the equipment and receiver.
- Connect the equipment into an outlet on a circuit different from that to which the receiver is connected.
- Consult the dealer or an experienced radio/TV technician for help.

This equipment complies with FCC radiation exposure limits set forth for an uncontrolled environment. This transmitter must not be co-located or operating in conjunction with any other antenna or transmitter.

This device complies with Part 15 of the FCC Rules. Operation is subject to the following two conditions: (1) this device may not cause harmful interference, and (2) this device must accept any interference received, including interference that may cause undesired operation. changes or modifications not expressly approved by the party responsible for compliance could void the user's authority to operate the equipment.

Item NO: 000094  
Product Name: remote control car series

portable device statements

The device has been evaluated to meet general RF exposure requirement. The device can be used in portable exposure condition without restriction.