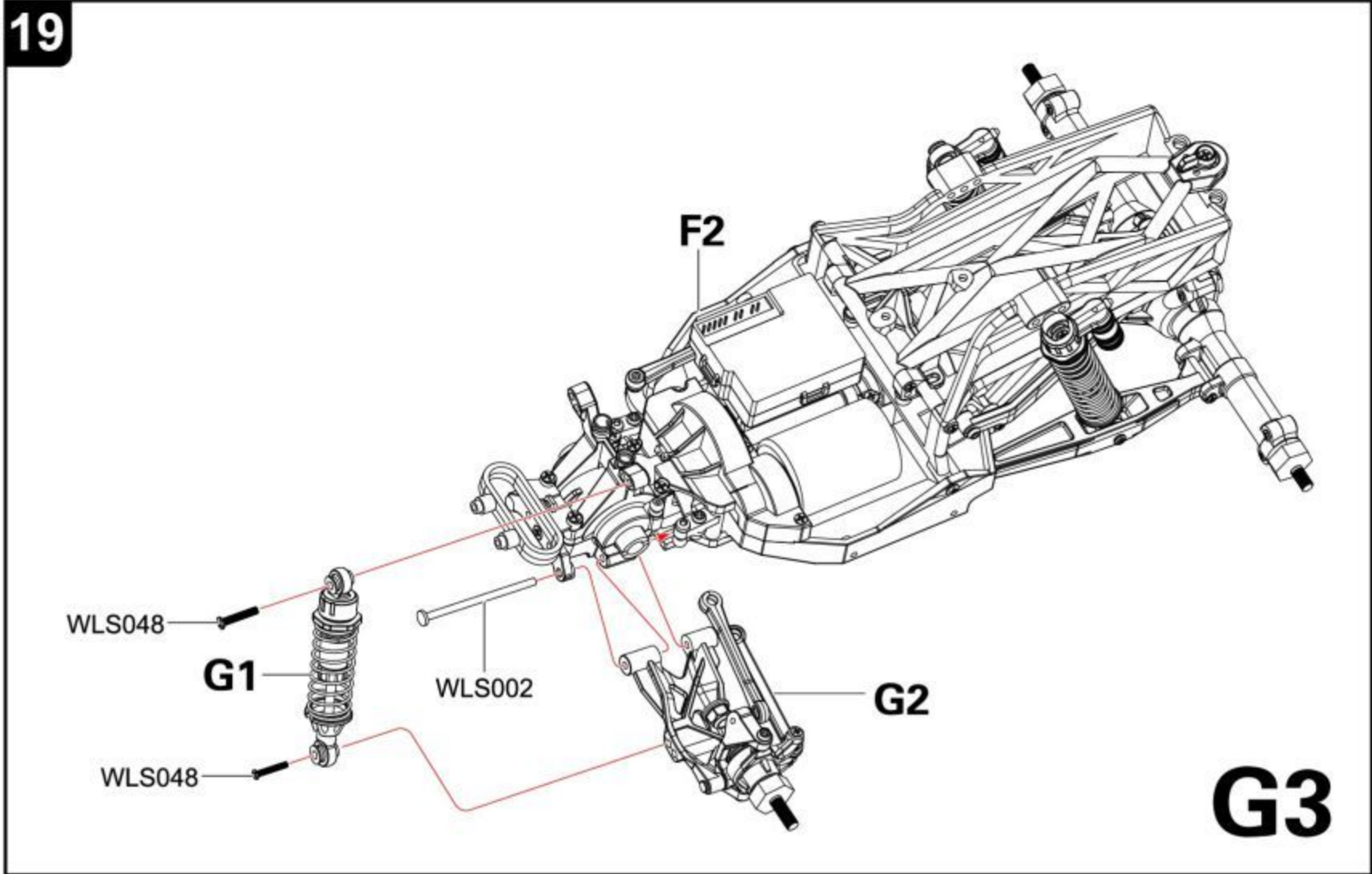

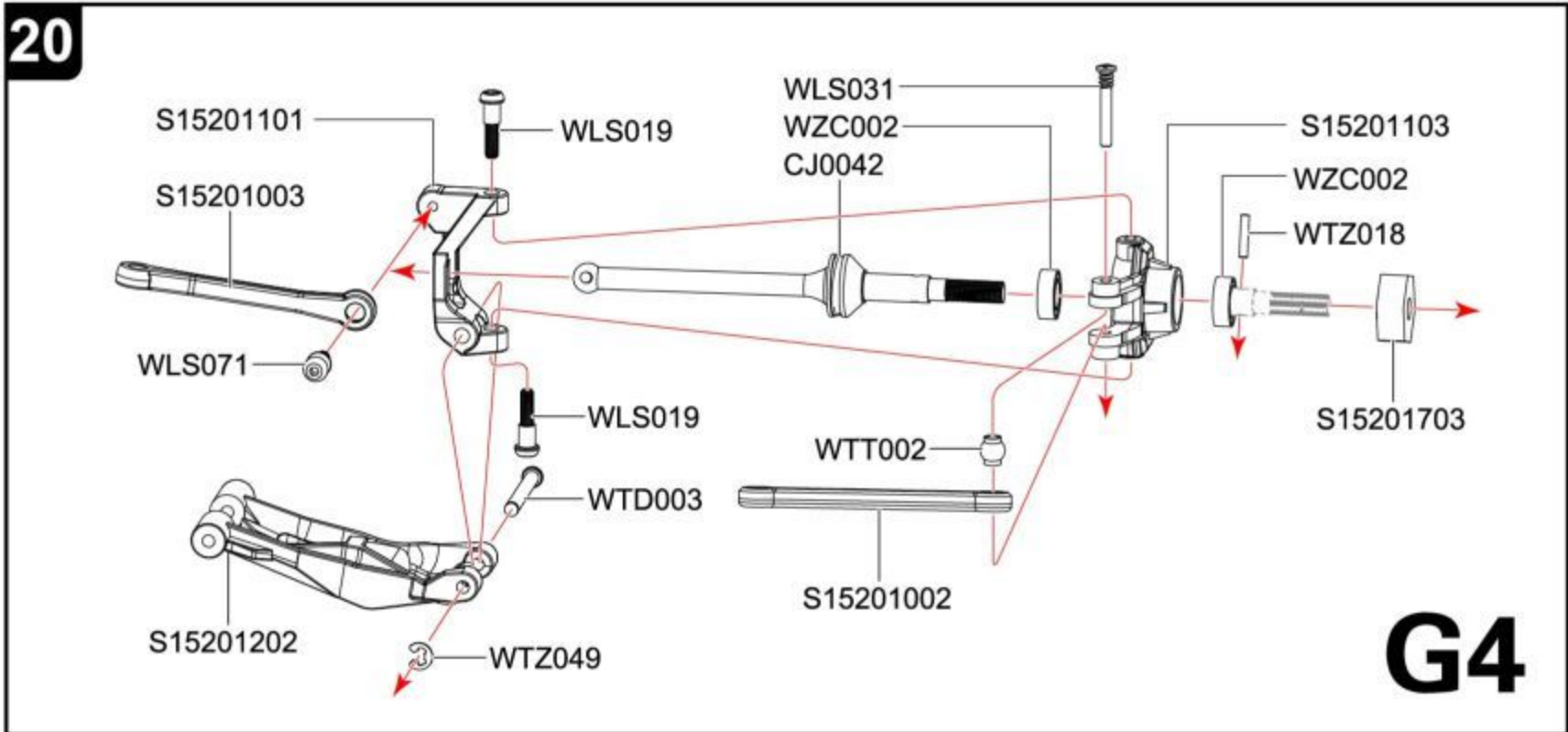
 ..... 2  
**WLS048** 2.5X14PM  
 Non self-tapping screw




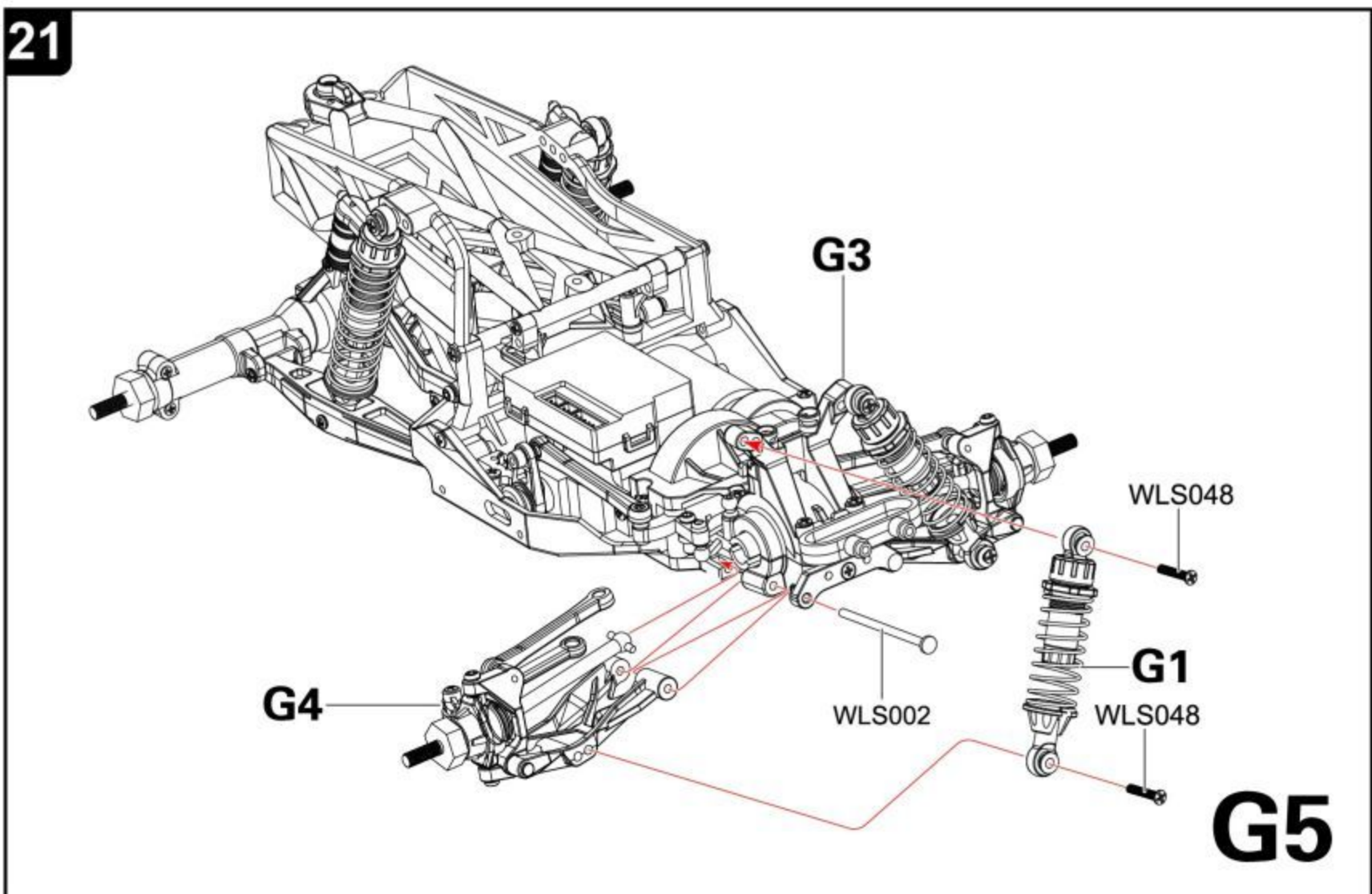
 ..... 1  
**WLS031** 2.3X13.5  
 Screw

 ..... 2  
**WLS019** 3.0X9  
 Sidestep Screw

 ..... 1  
**WLS071** 4.5X11  
 Ball head screw



 ..... 2  
**WLS048** 2.5X14PM  
 Non self-tapping screw

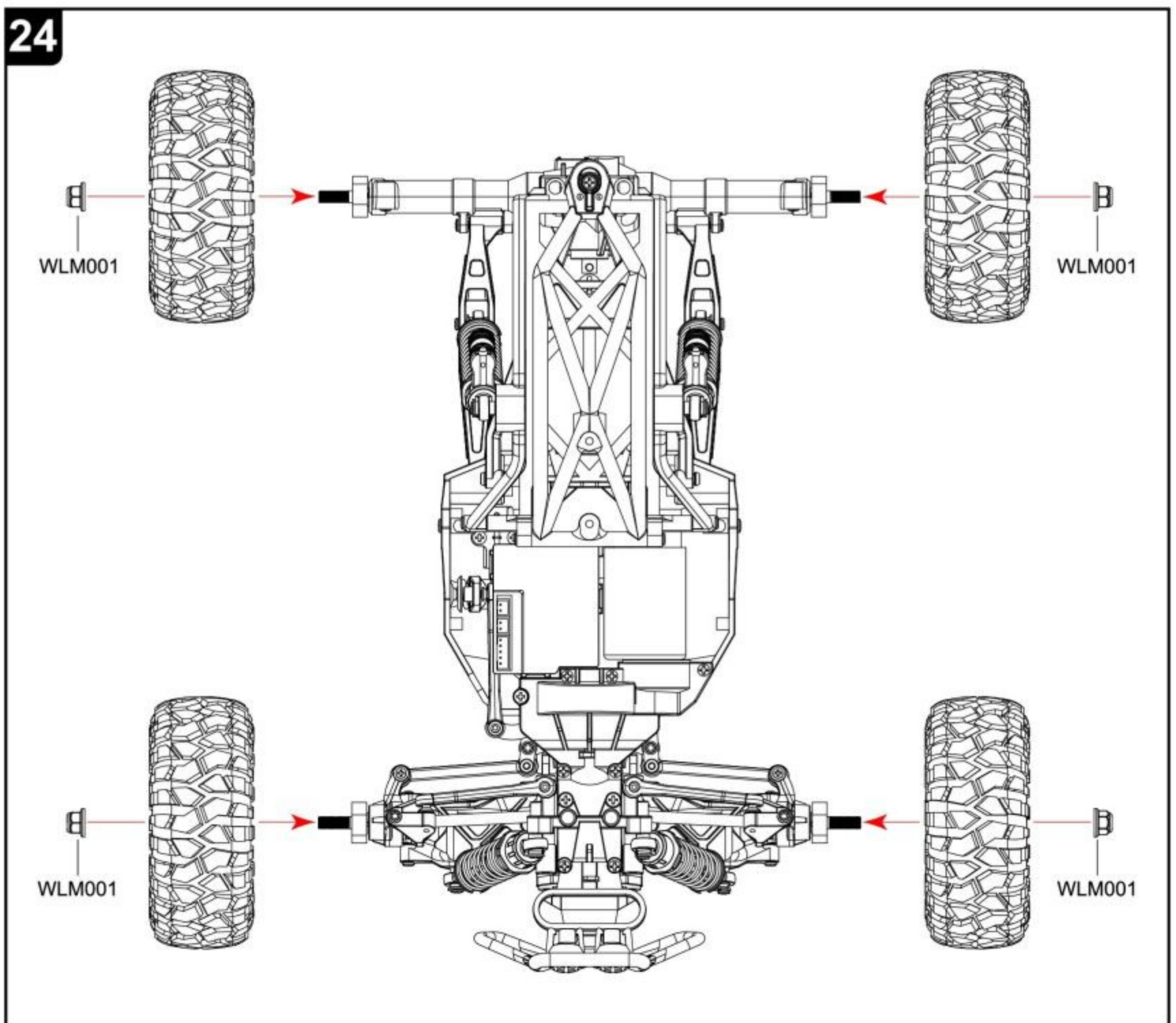
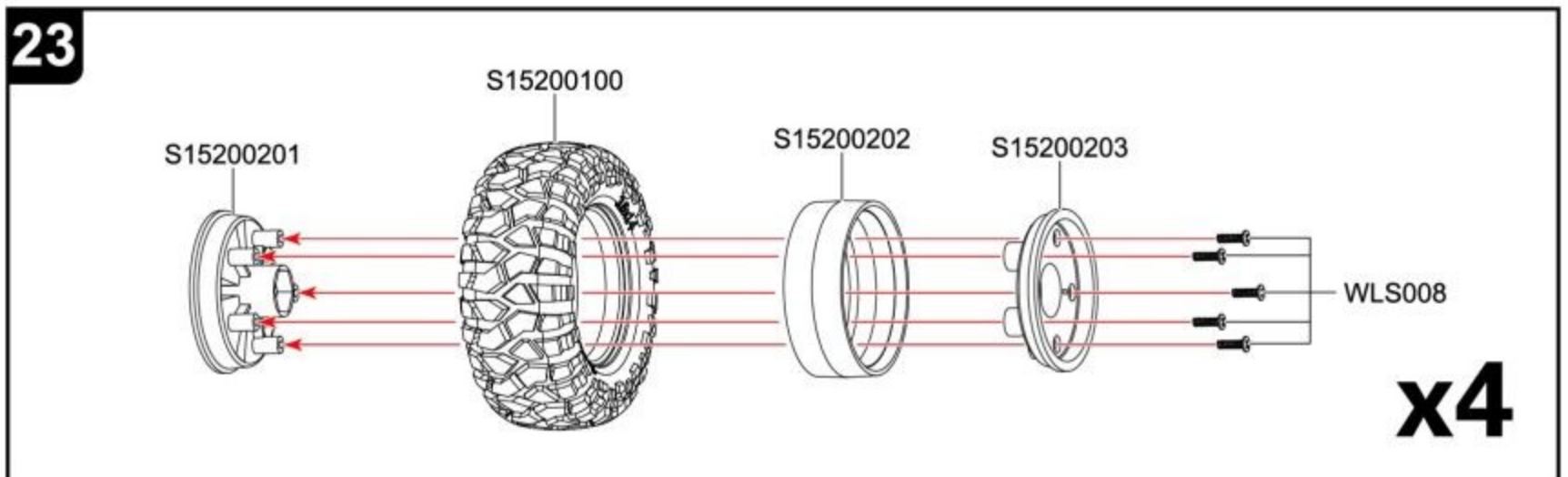
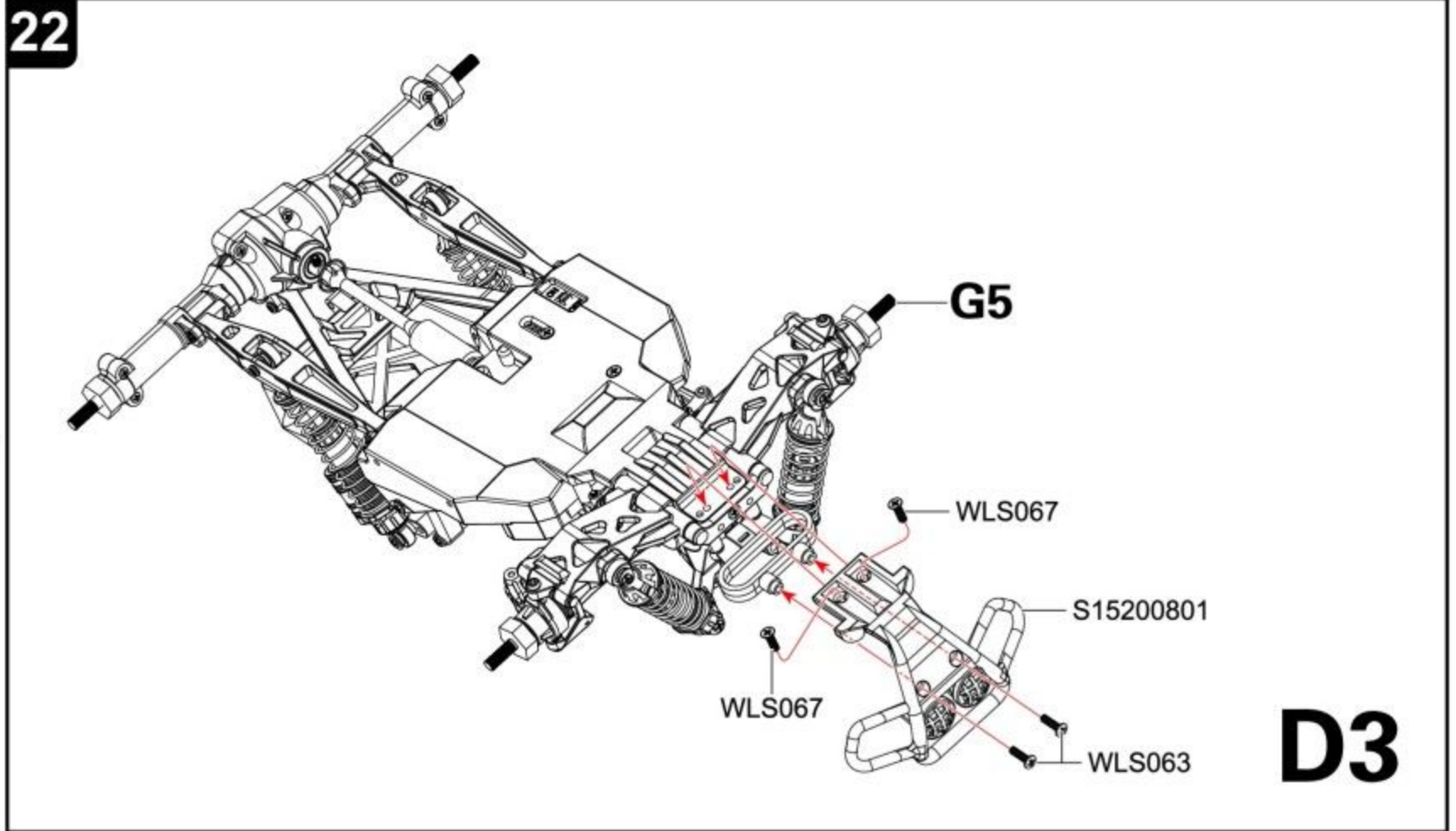


WLS063 2.5x10PM  
Non self-tapping screw


WLS067 2.5X10KM  
Countersunk Head Screw

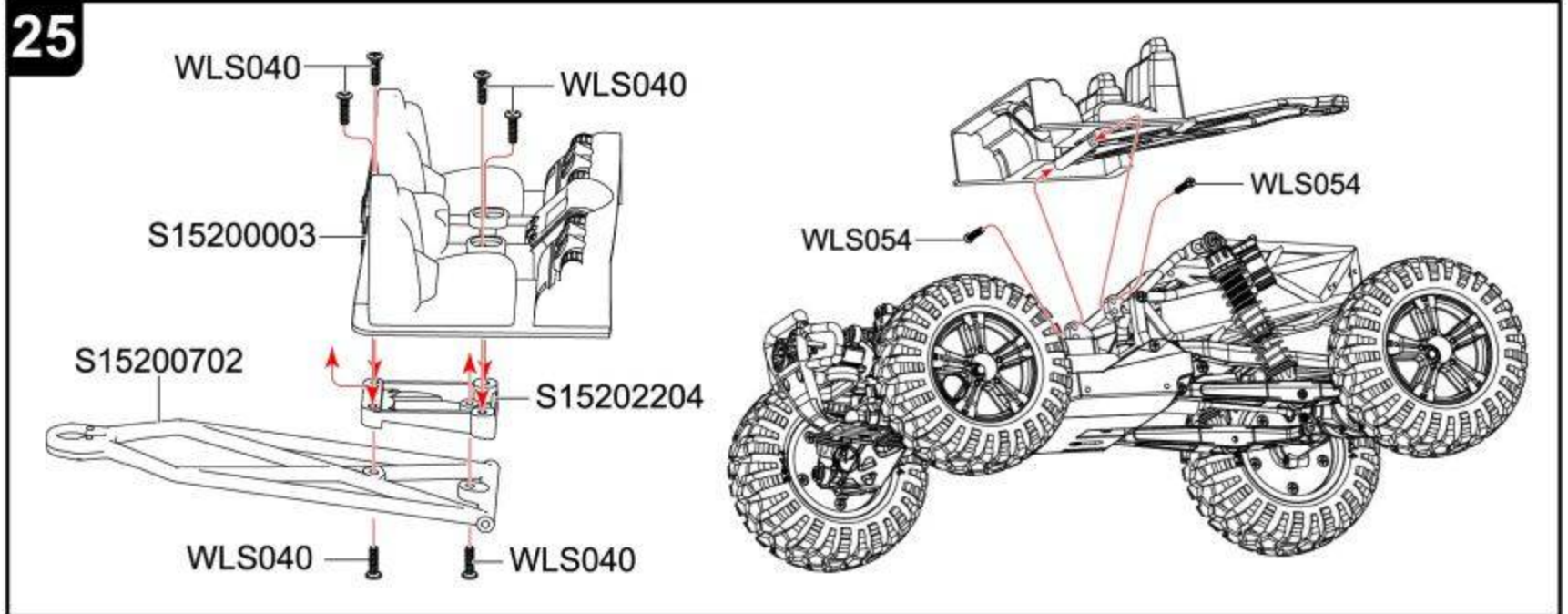
WLS008 2.6X8PB  
Flat head screw


WLM001 M4  
Flange Blocking Nut

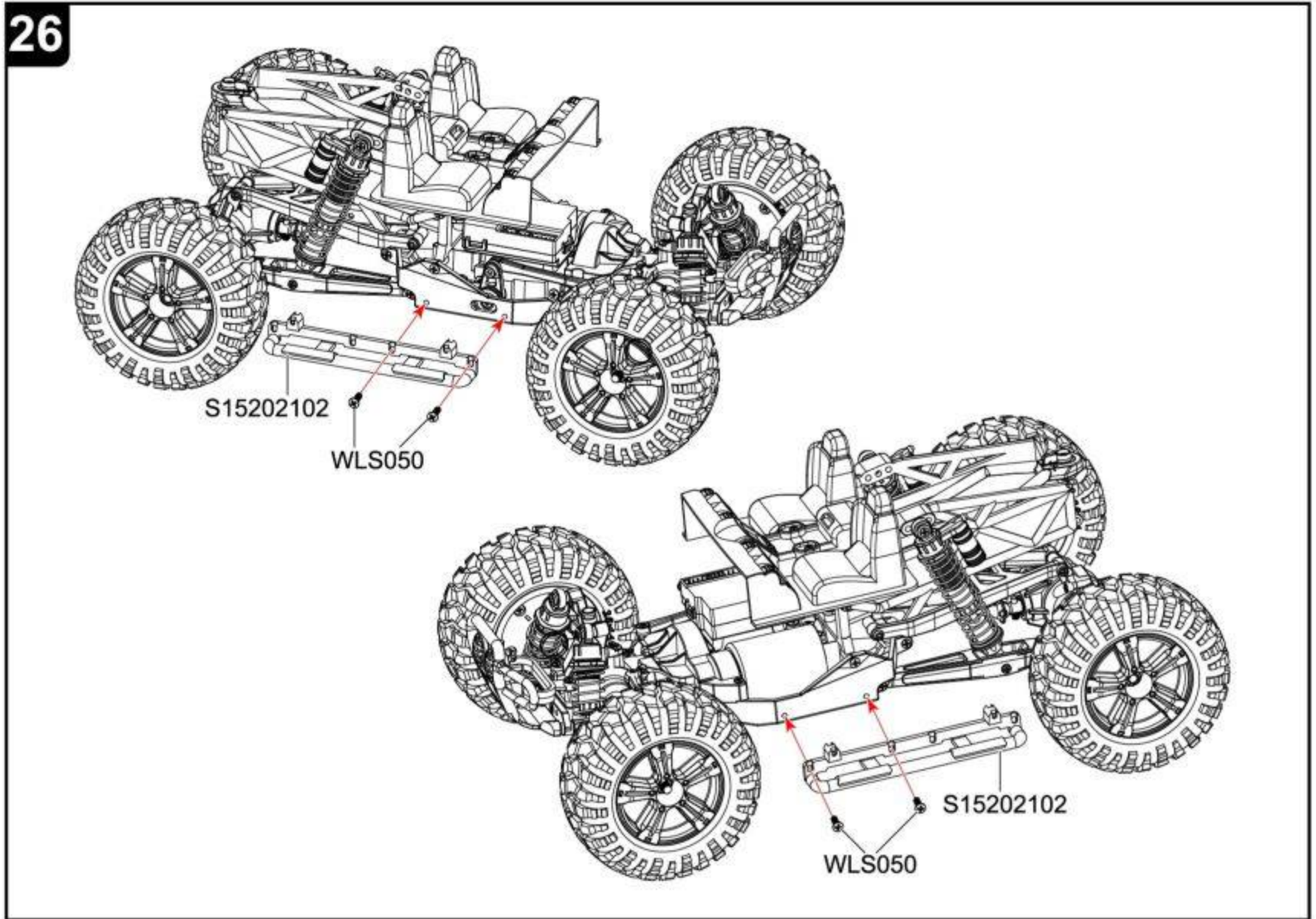



 ..... 6  
**WLS040** 2.3X5PB  
 Flat head screw

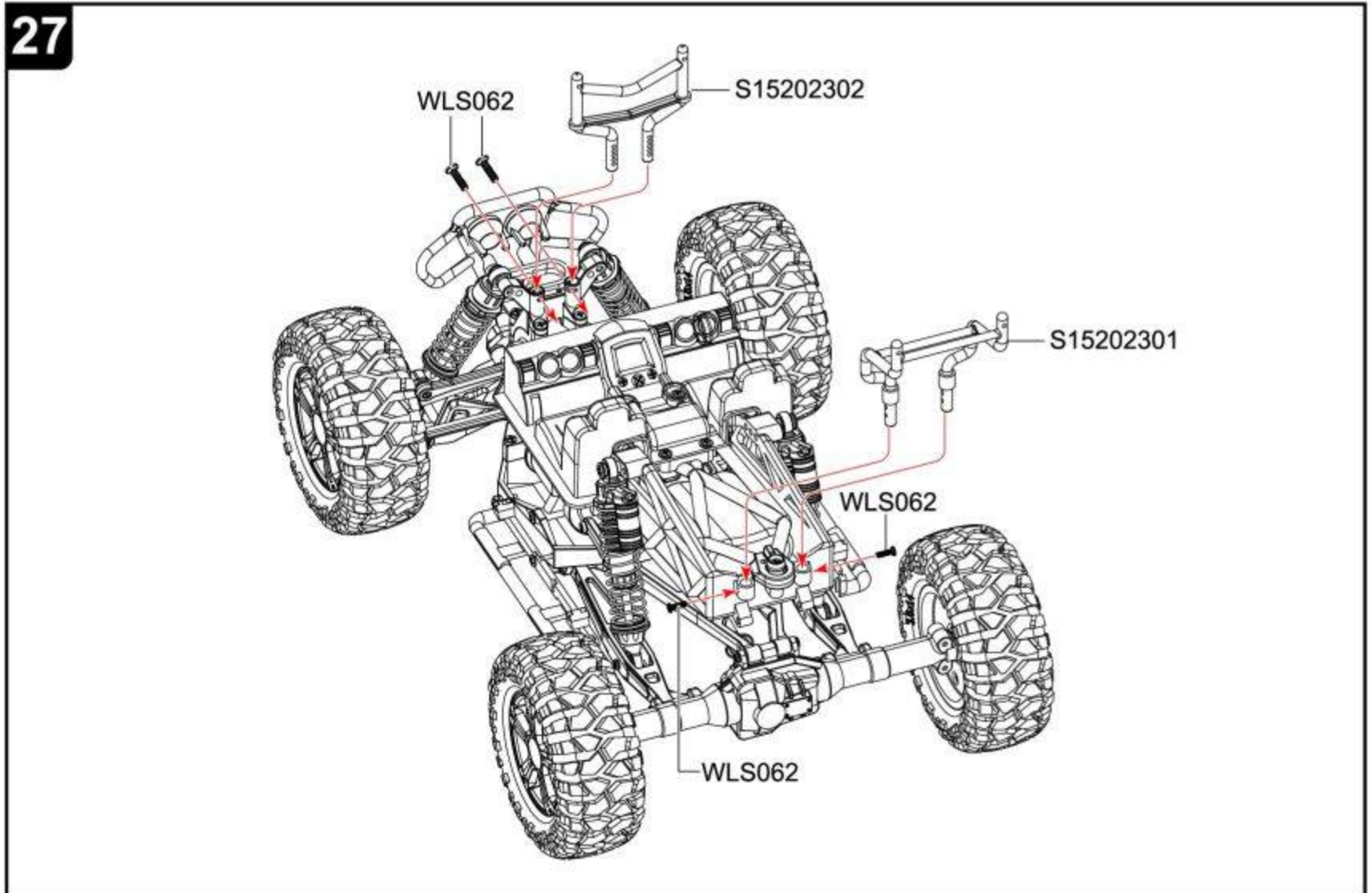
 ..... 2  
**WLS054** 2.5X16PM  
 Non self-tapping screw

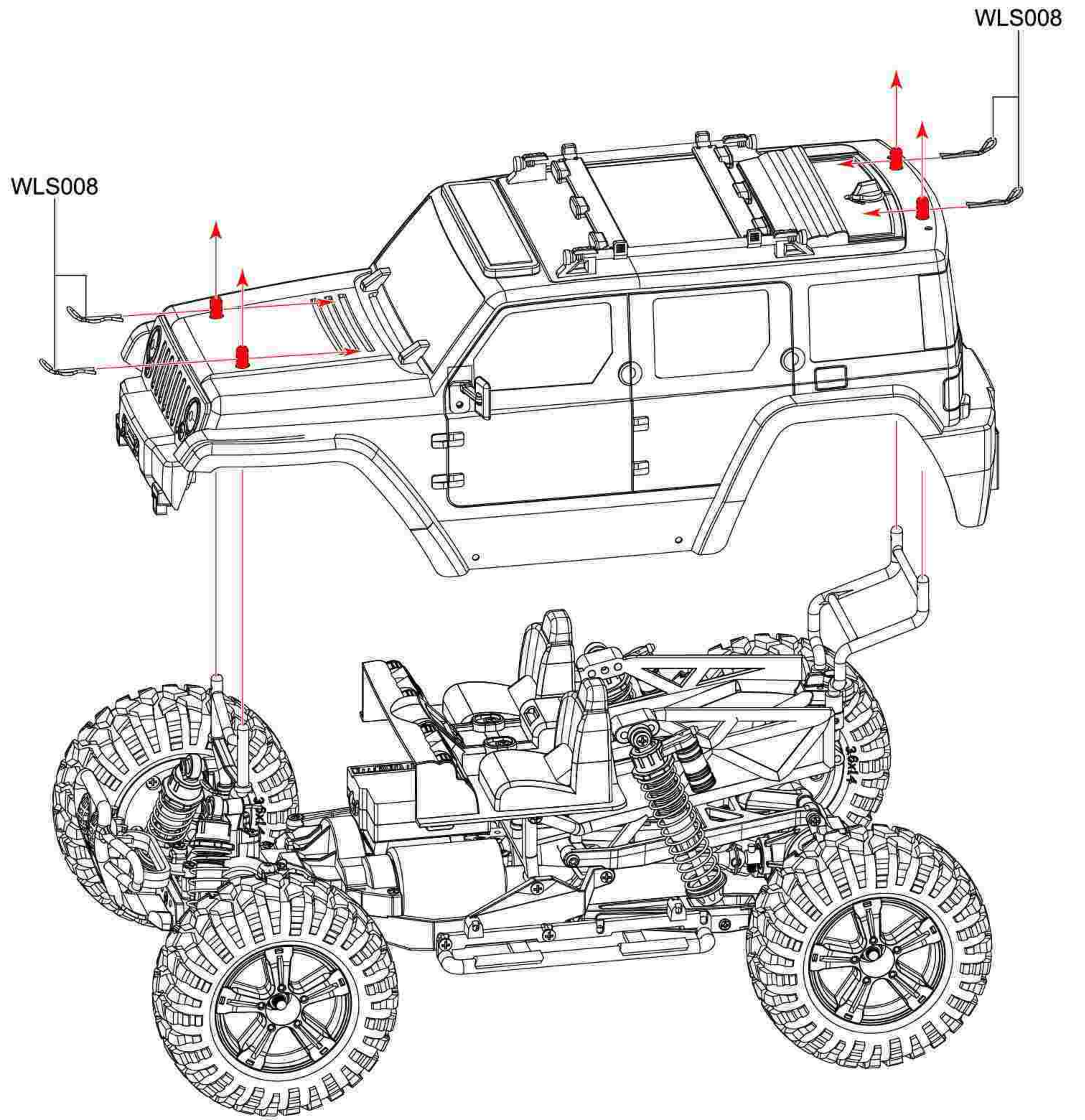


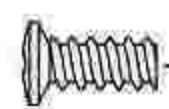
 ..... 4  
**WLS050** 2.3X8PB  
 Flat head screw




 ..... 4  
**WLS062** 2.0X6PB  
 Flat head screw

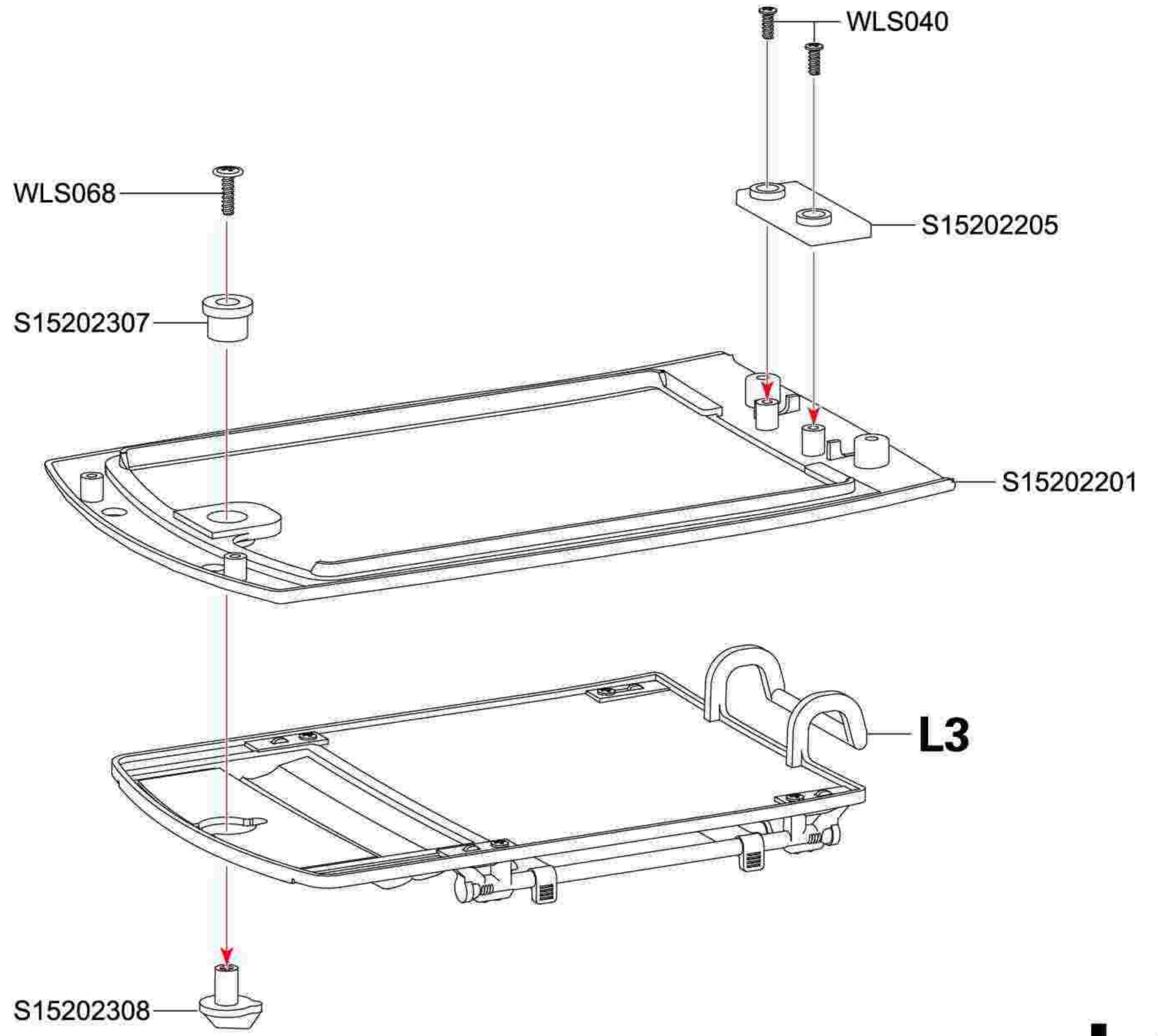





 ..... 2  
WLS040 2.3X5PB  
Flat head screw

 ..... 1  
WLS068 2.6X8X6PWB  
Screw

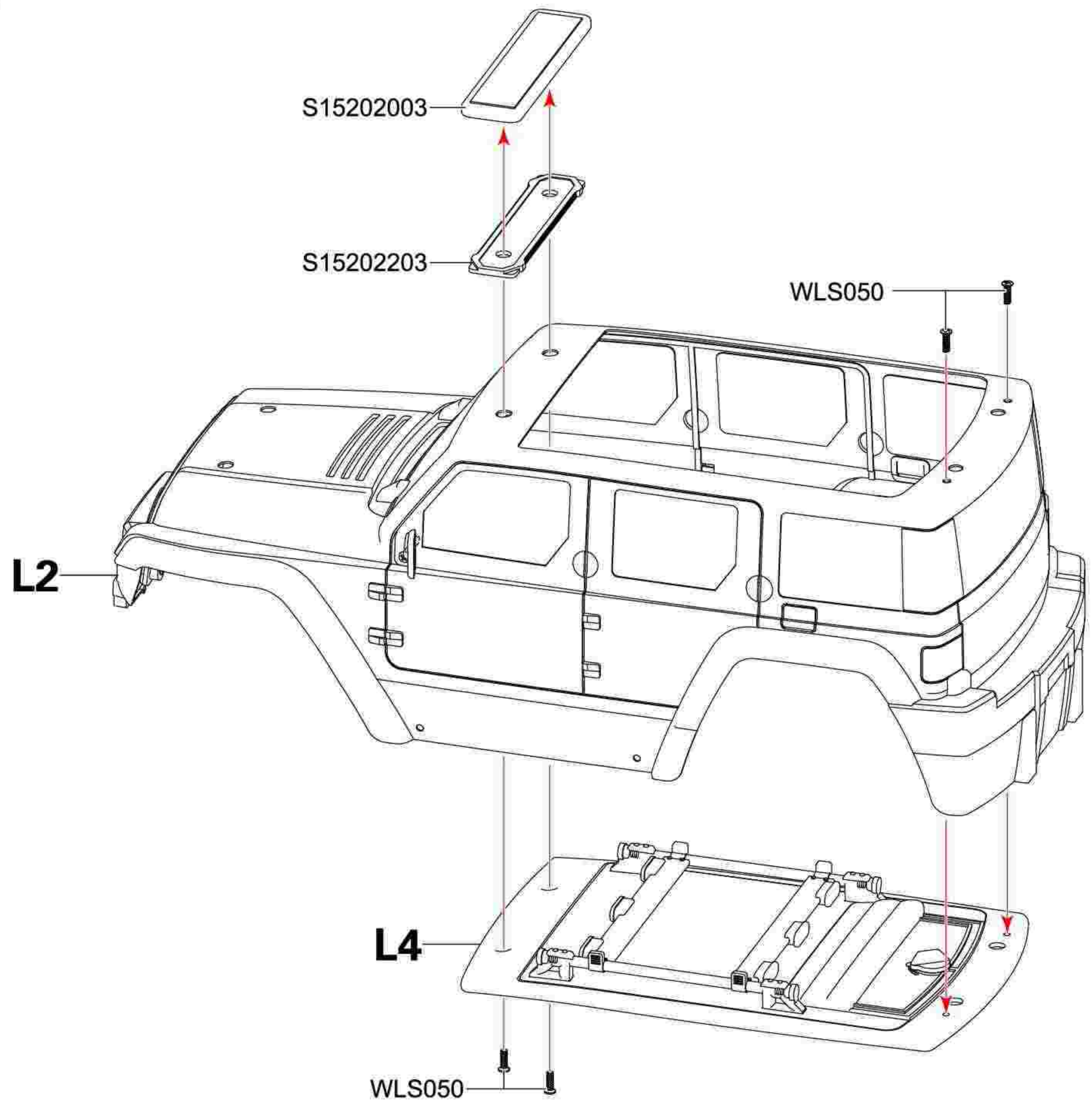
**31**



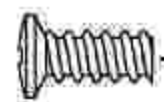
**L4**

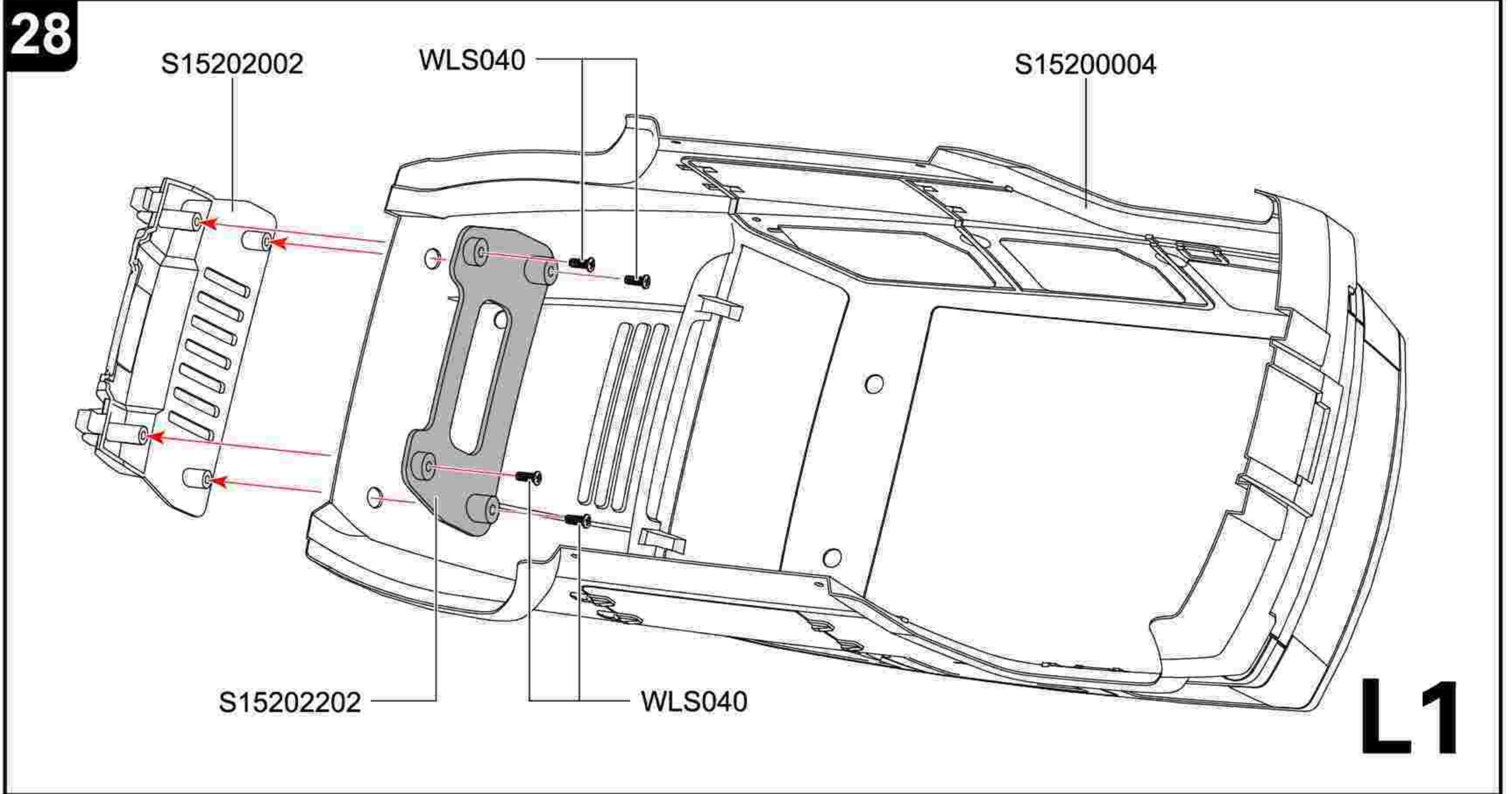
 ..... 4  
WLS050 2.3X8PB  
Flat head screw


**32**

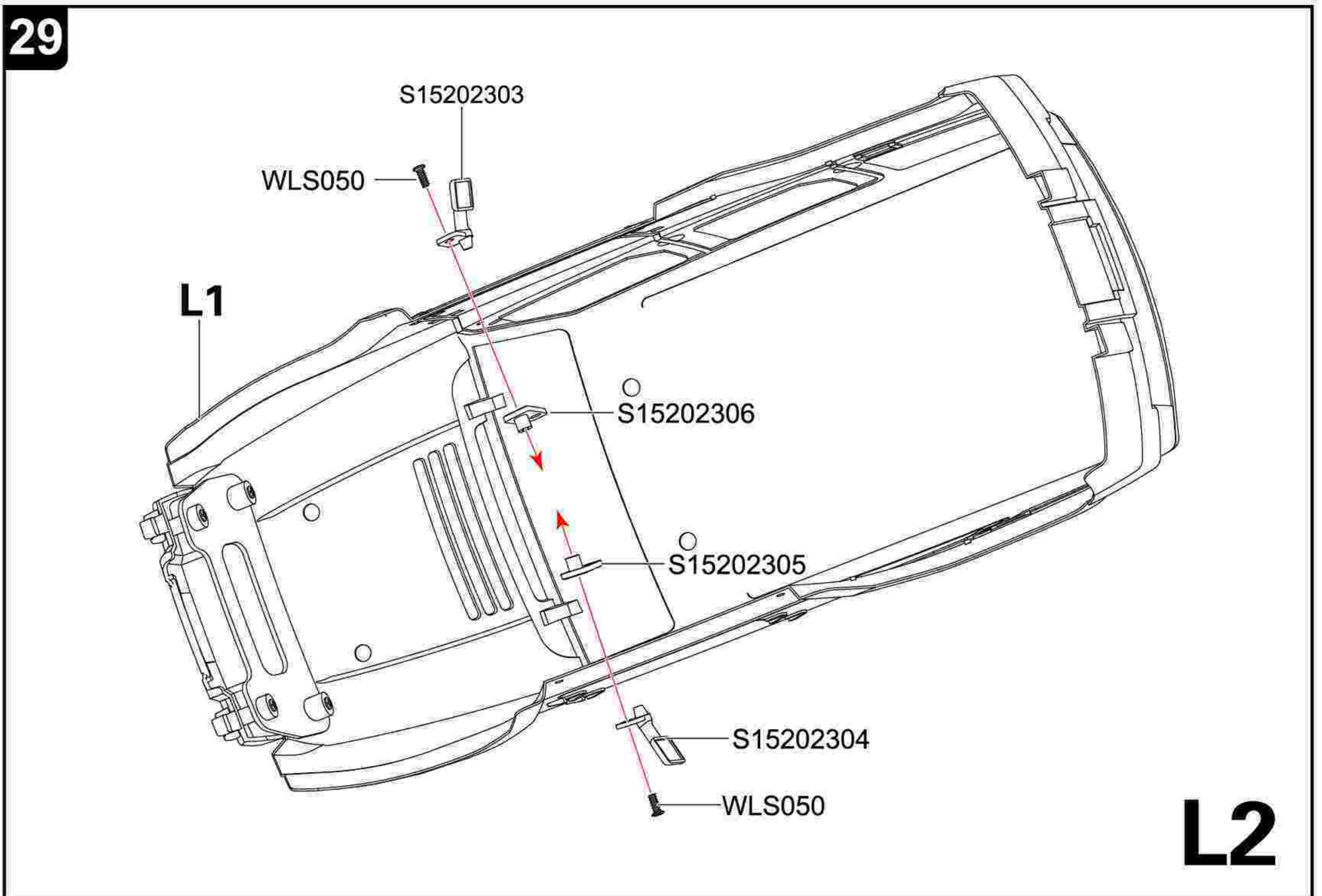



**L5**

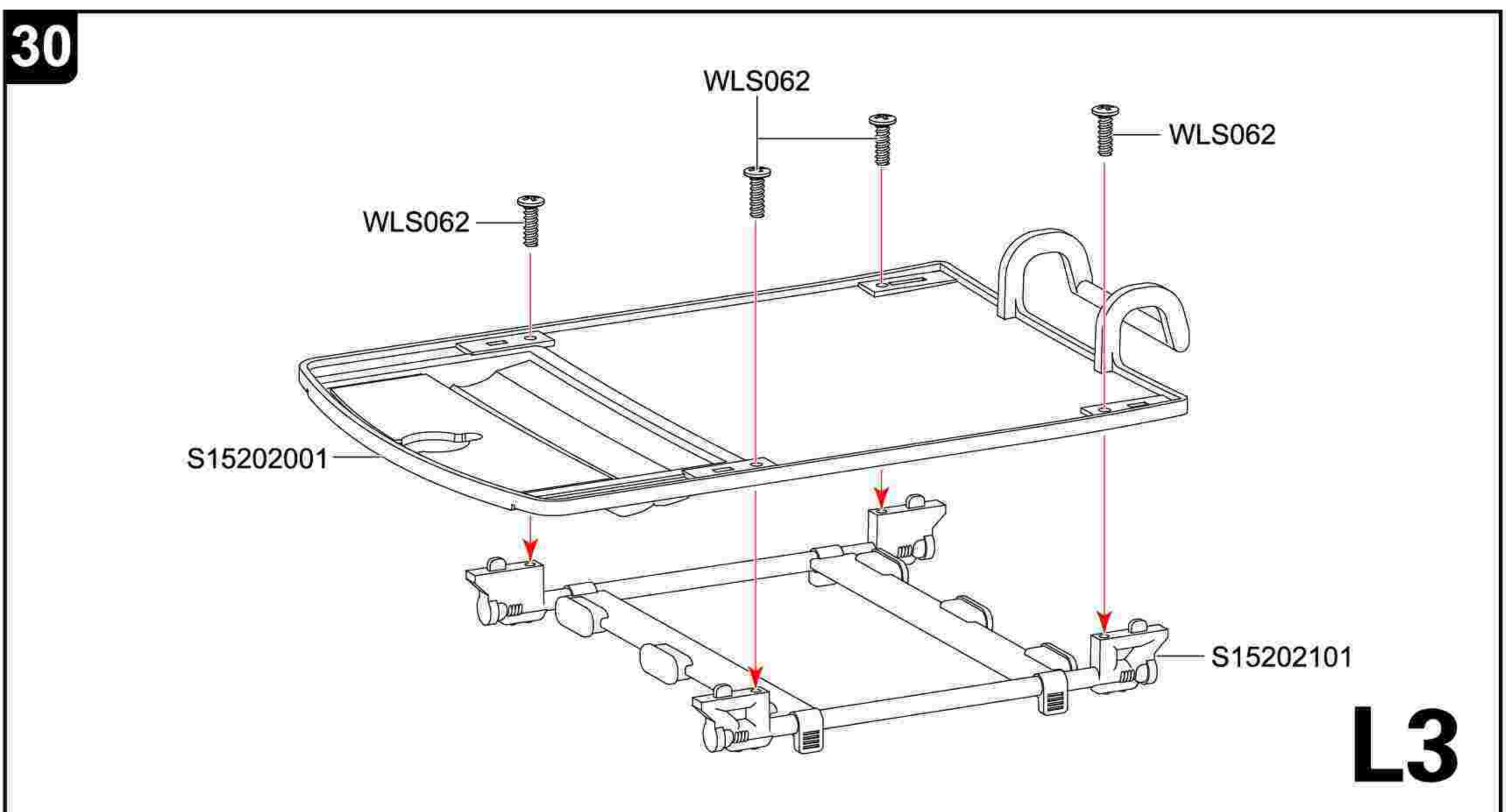
 ..... 4  
WLS040 2.3X5PB  
Flat head screw



 ..... 2  
WLS050 2.3X8PB  
Flat head screw



 ..... 4  
WLS062 2.0X6PB  
Flat head screw



# Spare parts list of high speed vehicles

**S15200100**



Wheel Skin

**S15200201**



Outer Hub

**S15200202**



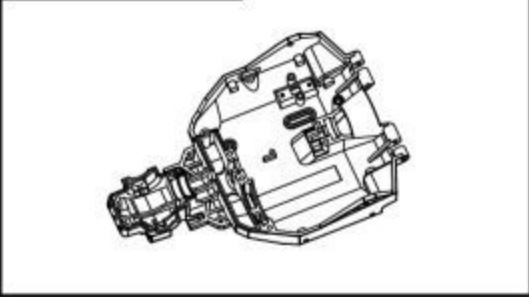
Tires Core

**S15200203**



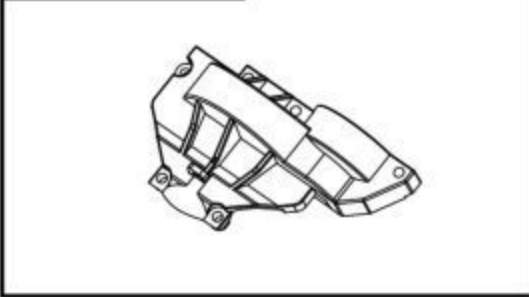
Inner Hub

**S15200400**



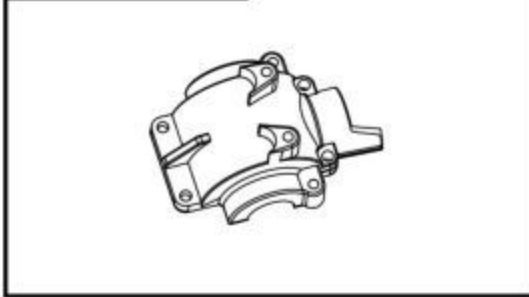
Vehicle bottom

**S15200501**



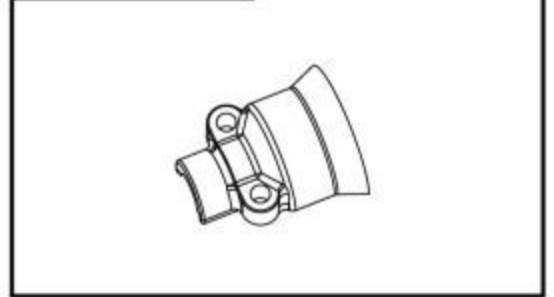
Motor cover

**S15200502**



Front Differential Carrier

**S15200503**



Axis Holder

**S15200504**



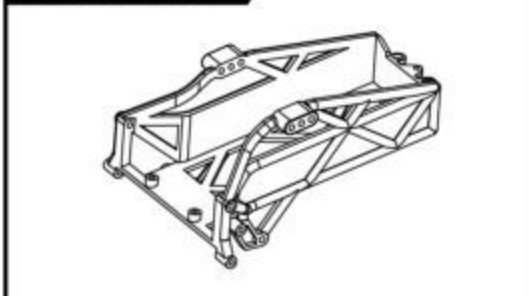
Front Motor Fixed Clamp

**S15200505**



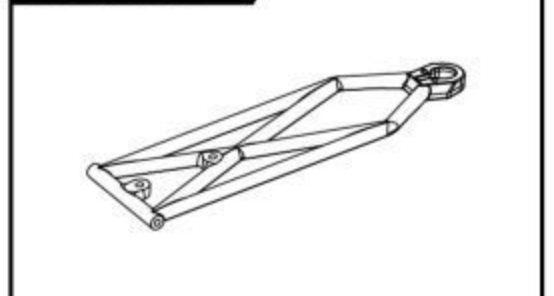
Back Motor Fixed

**S15200600**



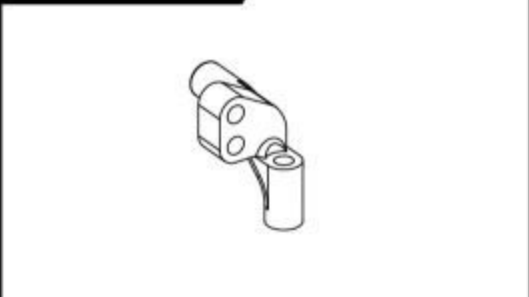
Battery elevator

**S15200702**



Battery cover

**S15200703**



Built-in fitment of battery cover (R)

**S15200704**



Built-in Fitment of Battery Cover (L)

**S15200705**



Battery Stopper

**S15200706**



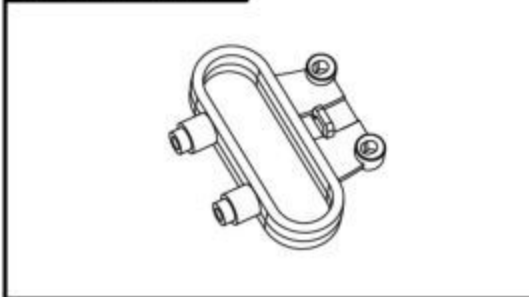
Battery Cover Nut

**S15200801**



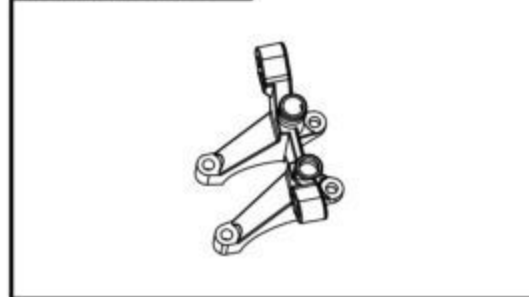
Anti-Collision Frame

**S15200802**



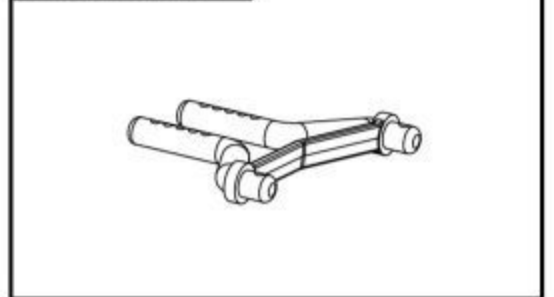
Bumper

**S15200803**



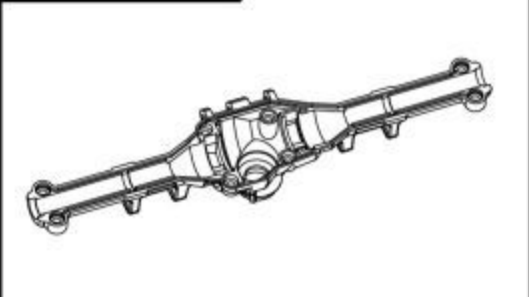
Damper Tower (Front)

**S15200804**



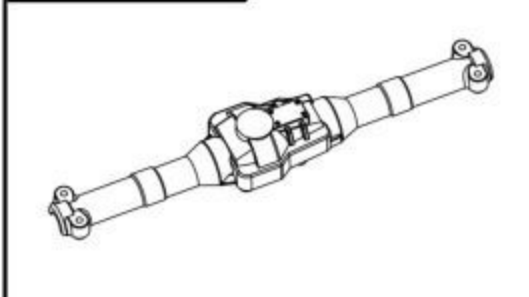
Automotive Shell Holder

**S15200901**



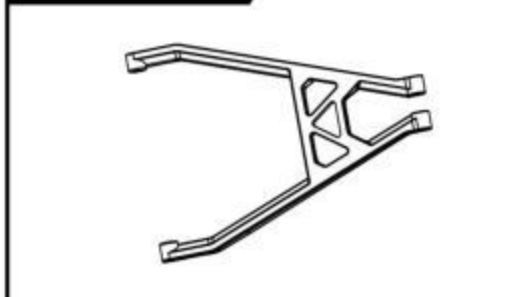
Straight-bridge-shaped front shell

**S15200902**



Straight-bridge-shaped back shell

**S15201001**



Straight-bridge-shaped connecting rod

**S15201002**



Drag Link

**S15201003**



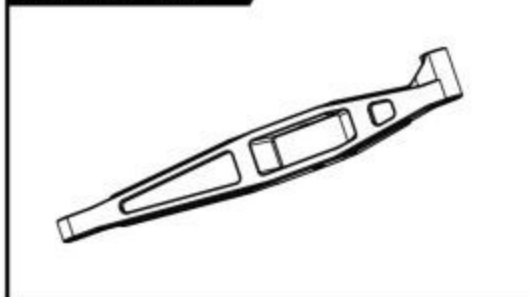
Front Connecting Rod (R)

**S15201004**



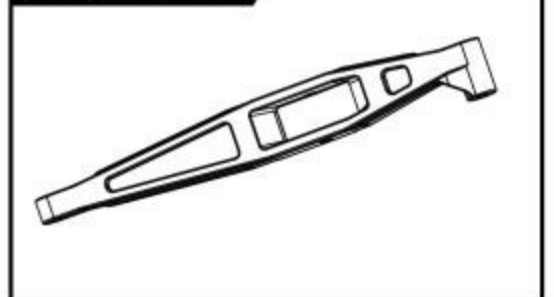
Front Connecting Rod (L)

**S15201005**



Straight-bridge-shaped Damper Connecting Rod (L)

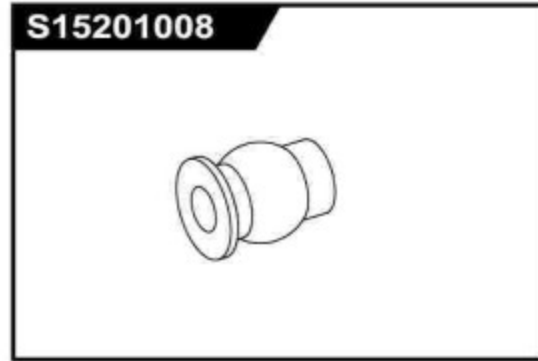
**S15201006**



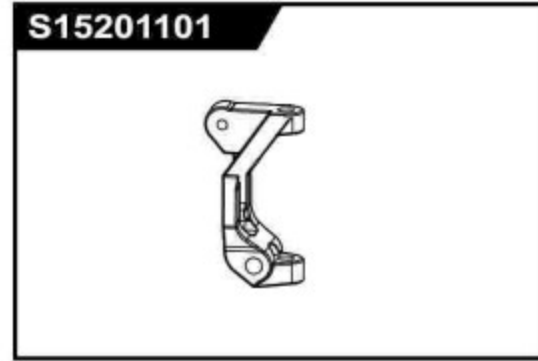
Straight-bridge-shaped Damper Connecting Rod (R)



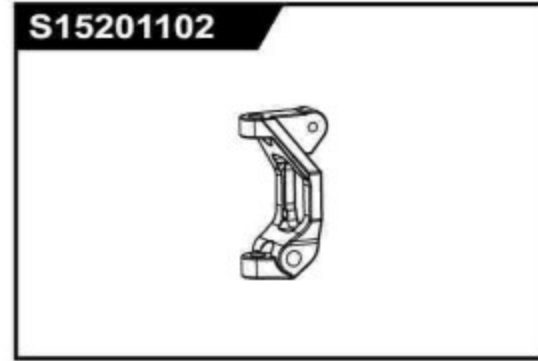
Steering Engine Link



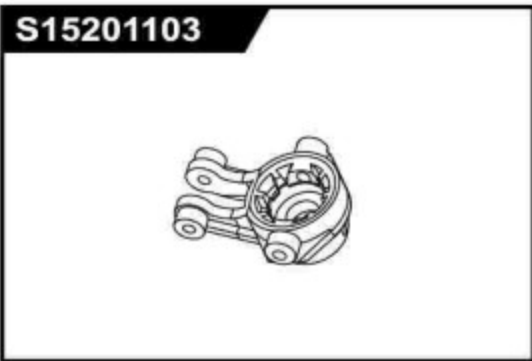
Ball Sleeve



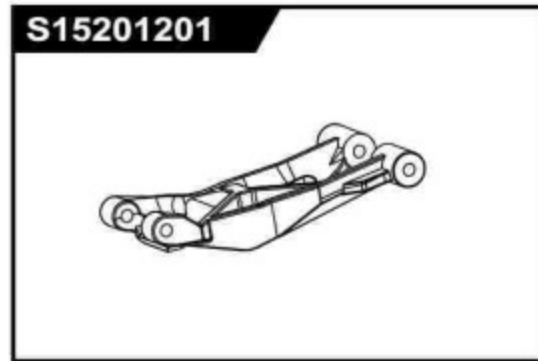
C Seat (R)



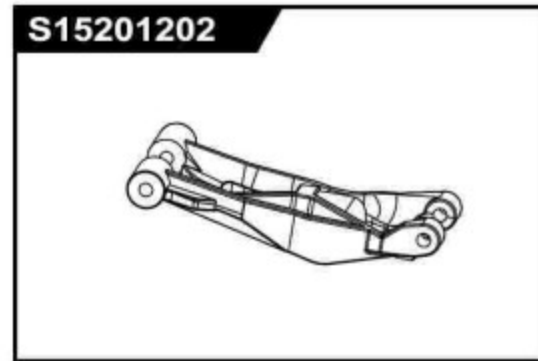
C Seat (L)



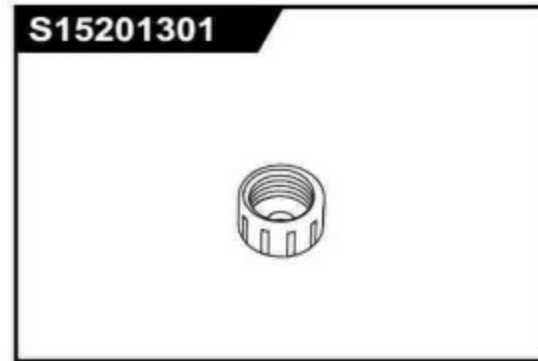
Steering Device



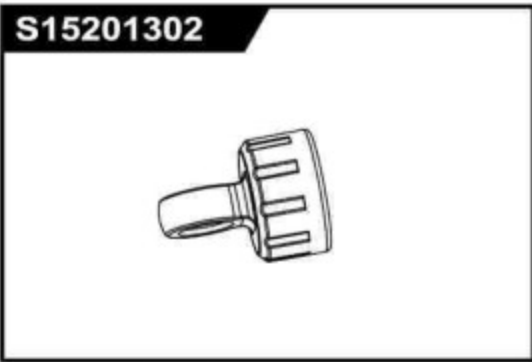
Swing Arm (L)



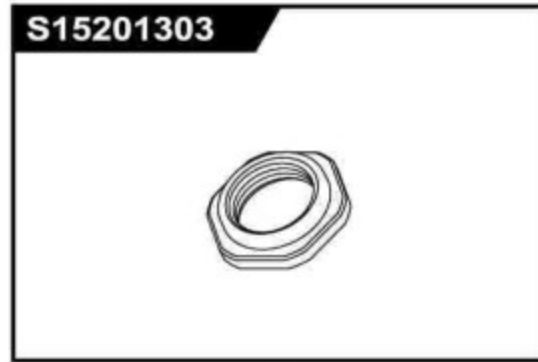
Swing Arm (R)



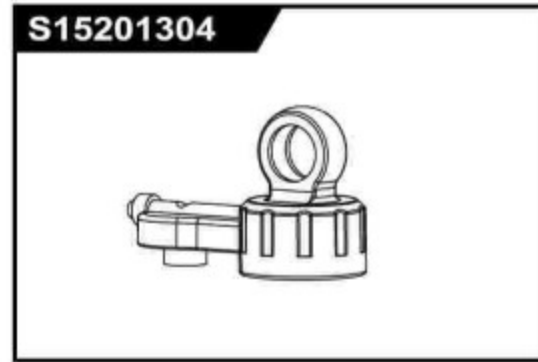
Lower Thread Bushing



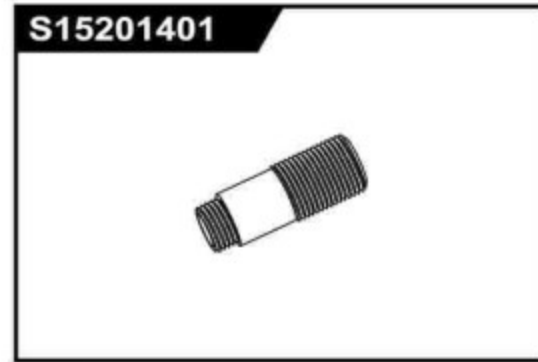
Upper and front thread bushing



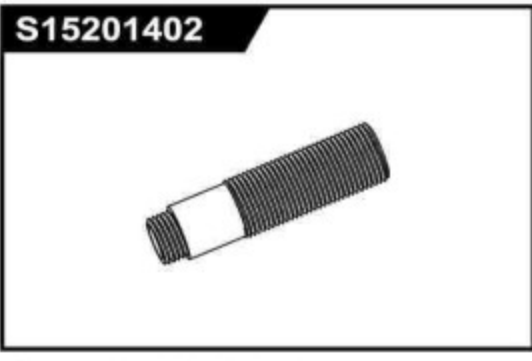
Middle Thread Bushing



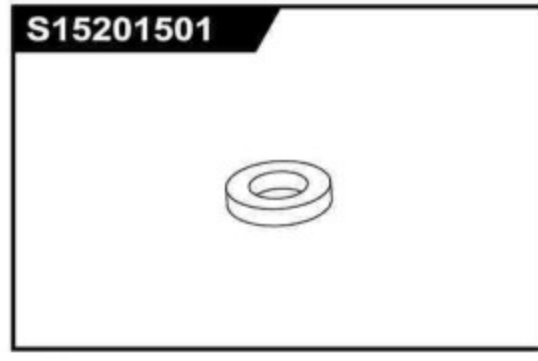
Upper and back thread bushing



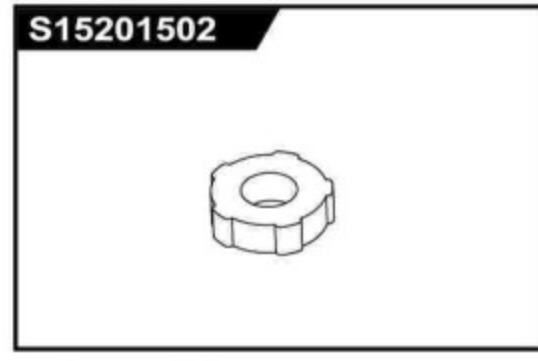
Front Damper Cylinder



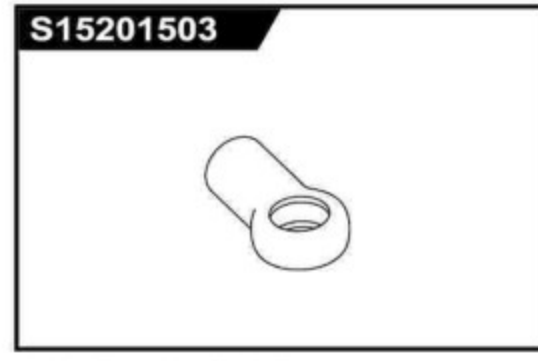
Back damper cylinder



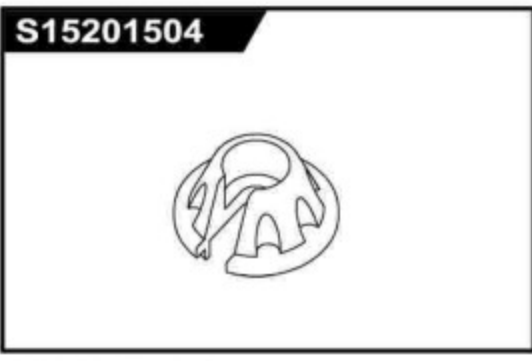
Seal Ring



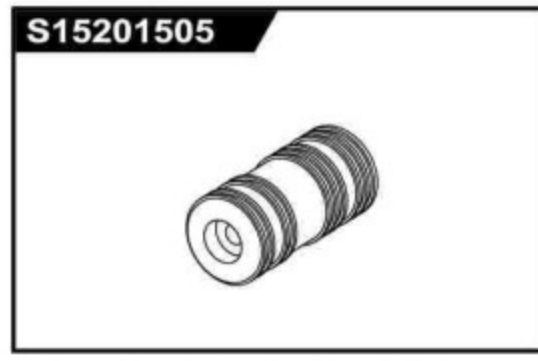
Resistance Ring



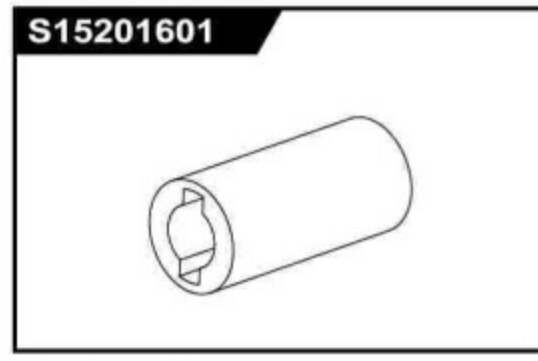
Damping Shaft Seat



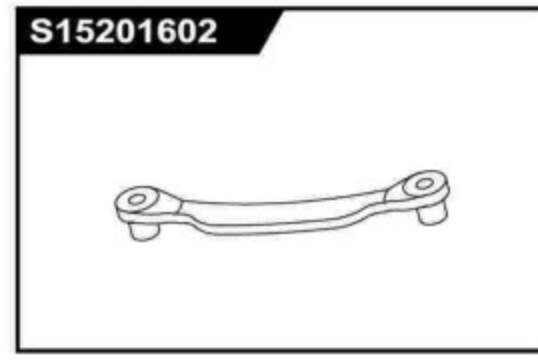
Spring Bracket



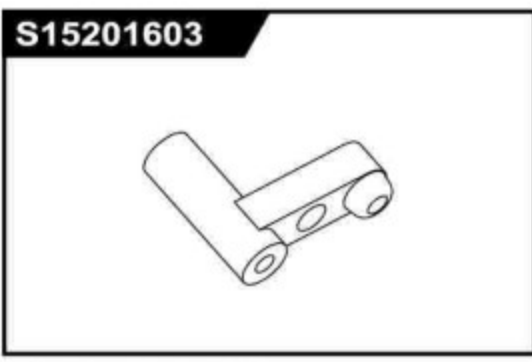
Back damper and decompression cylinder



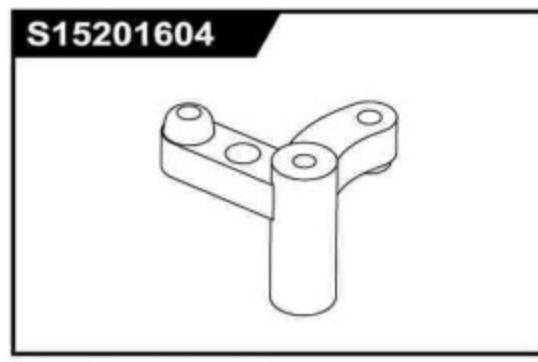
Drive Shaft Sleeve



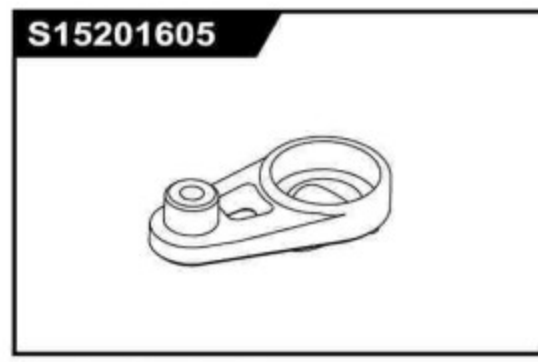
Steering Linkage Bridge



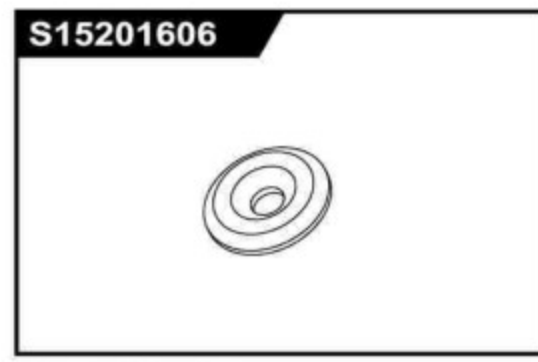
Steering device (L)



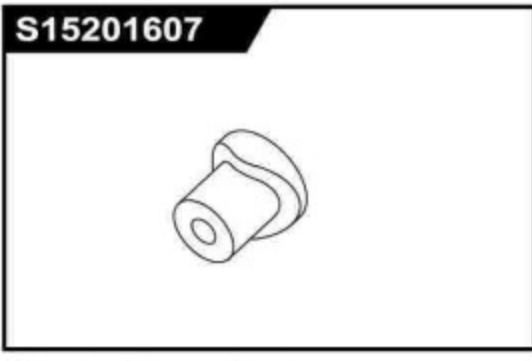
Steering Device (R)



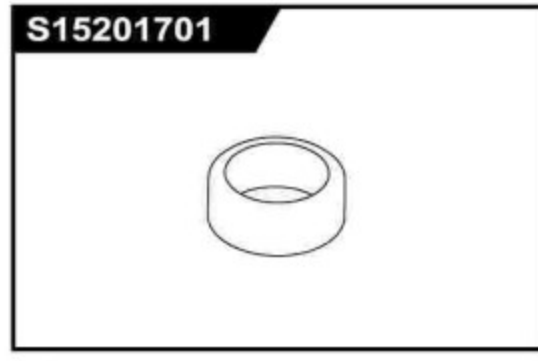
Steering Engine Arm



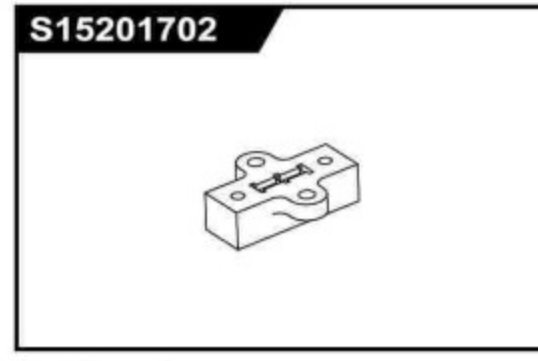
Clutch Fixing Ring



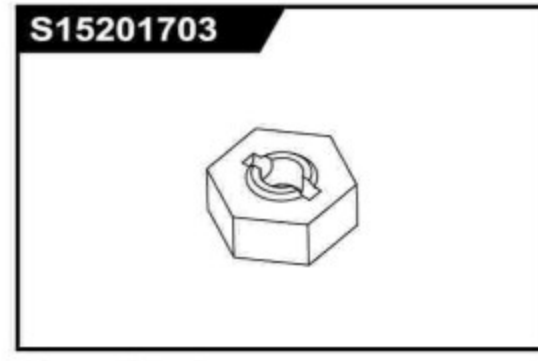
Steering Engine Tooth



Nuts



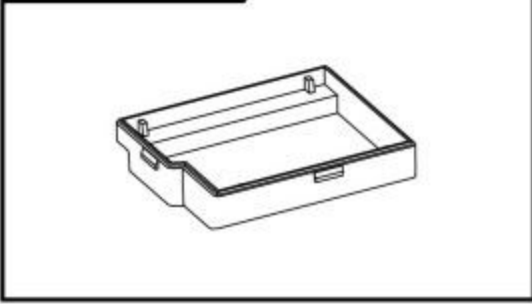
Switch seat



12 mm Adapter

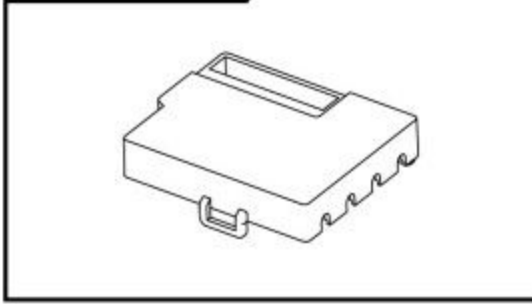


S15201704



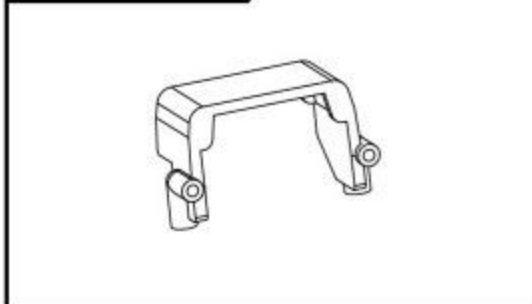
Bottom case of receiving box

S15201705



Front case of receiving box

S15201706



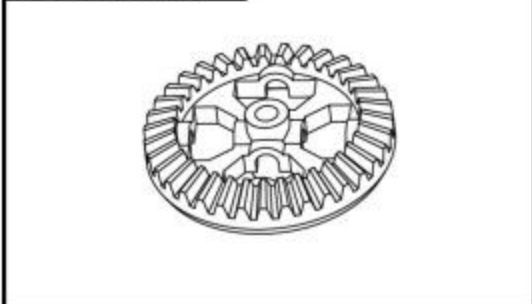
Steering Engine Seat

S15201800



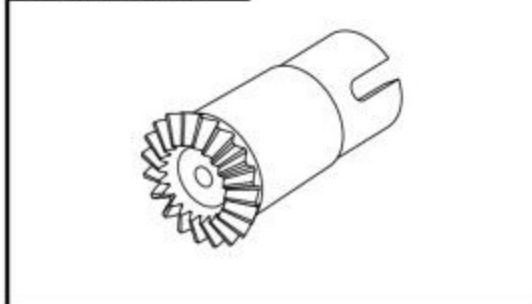
M0.5T66

H15201901



Differential big gear

H15201902



Long Bevel Gear

H15201903



Short Bevel Gear

H15201904



Front bevel gear

H15201905



Back bevel gear

H15201906



Back Bevel Gear

H15201907



Arm Code

S15202001



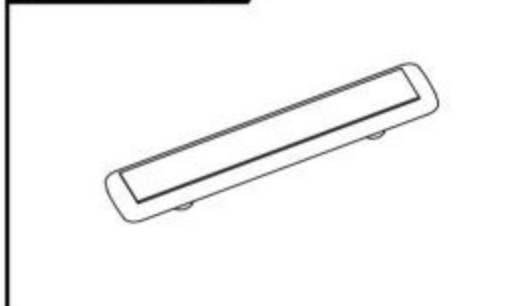
Roof cover

S15202002



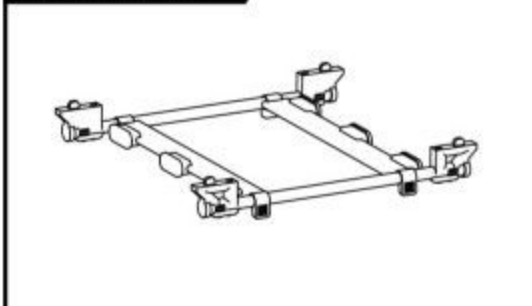
Automotive shell safety rack

S15202003



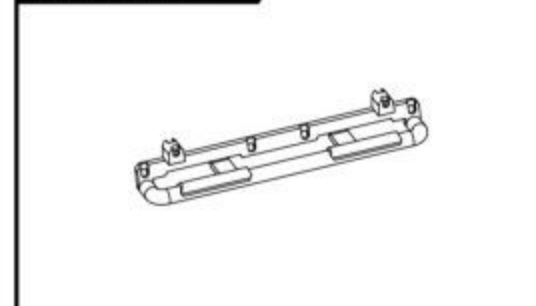
Car roof shell firmware

S15202101



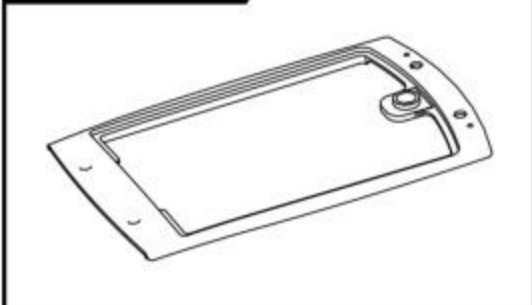
Rack

S15202102



Pedal

S15202201



Car roof shell

S15202202



Fixed base of safety rack

S15202203



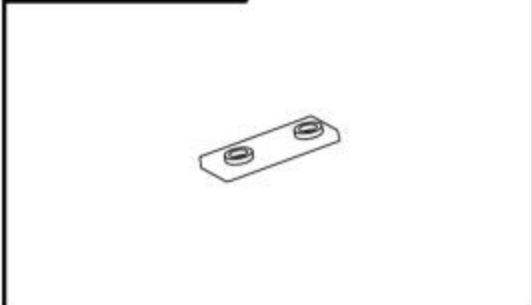
Built-in fitment of car roof shell

S15202204



Seat Accessories

S15202205



Built-in fitment of car roof

S15202301



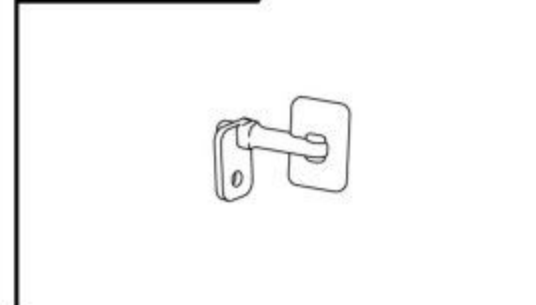
Automotive shell holder (back)

S15202302



Automotive shell holder (front)

S15202303



Left Rearview Mirror

S15202304



Espejo retrovisor izquierdo

S15202305



Built-in fitment of right rearview mirror

S15202306



Built-in fitment of left rearview mirror

S15202307



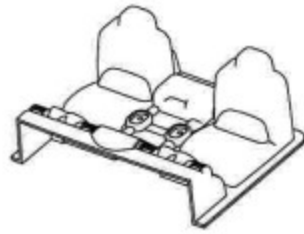
Nuts Base

S15202308



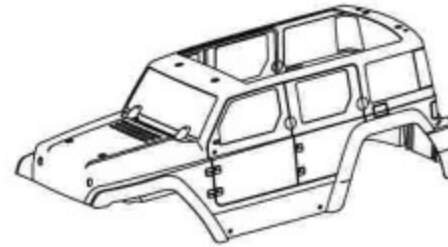
Nuts

S15200003



Interior

S15200004



Car Shell

S15200005



Rubber Ring

S15200006



Rubber Ring

S15200007



6.0X8.0

Limiting rubber column

WLS008



2.6X8PB

Flat head screw

WLS019



3.0X9PB

Sidestep Screw

WLS031



2.3X13.5

Half Head Screw

WLS040



2.3X5PB

Flat head screw

WLS041



2.6X6PB

Flat head screw

WLS044



2.5X24PM

Non self-tapping screw

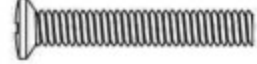
WLS045



2.5X18PM

Non self-tapping screw

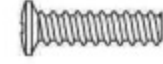
WLS048



2.5X14PM

Non self tapping screw

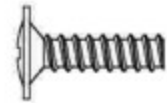
WLS050



2.3X8PB

Flat head screw

WLS052



2.6X8X6PWB

Screw

WLS054



2.5X16PM

Non self-tapping screw

WLS058



2.5X8PM

Non self-tapping screw

WLS059



2.5X8KM

Countersunk head screw

WLS062



2.0X6PB

Flat head screw

WLS063



2.5X10PM

Non self-tapping screw

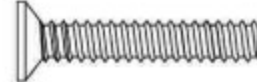
WLS064



2.5X12PM

Non self tapping screw

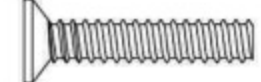
WLS065



2.5X14KM

Countersunk head screw

WLS066



2.6X12KB

Countersunk head screw

WLS067



2.5X10KM

Countersunk head screw

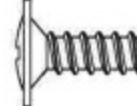
WLS068



2.3X8X6PWB

Screw

WLS069



2.6X6X6PWB

Screw

WLS070



3X3

Inner hexagon socket shot screw

## WARRANTY

Caivun comes with 365 days replacement warranty and 60 days more back guarantee, which starts from the purchase date of the order. A defect arises and a valid claim is received within the warranty period at its option. Caivun will replace the product with a new item.

## Replacement & Refund

1. Would love a replacement for defective products?

Should your product is defective within the specified warranty period, please contact us via [support@caivunshop.com](mailto:support@caivunshop.com) with the order number. Once our customer support team hears from you, we will process your request in 24 hours.

2. Not happy with the unit or passed Amazon's 30 days return window?

No worries! Be sure to contact Caivun customer service at [support@caivunshop.com](mailto:support@caivunshop.com) with your order number we will process your request faster and easier, usually in 24 hours.

## Thank you for choosing **CAIVUN**

 [support@caivunshop.com](mailto:support@caivunshop.com)

Need help? Contact us directly at [support@caivunshop.com](mailto:support@caivunshop.com) with your order ID. We are more than happy to serve you. Caivun support is here to make sure you are completely satisfied with your product.

U.S. Importer Name : ANDTech Global International trading LLC

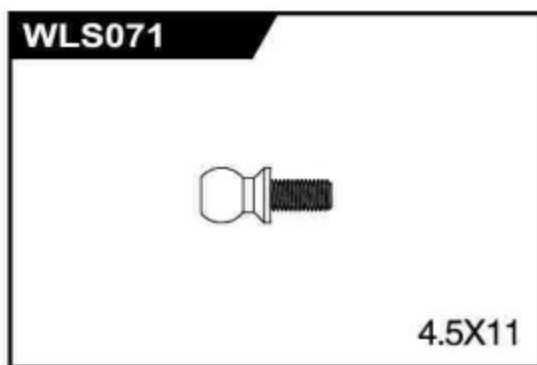
U.S. Importer Address: 97 East Brokaw Road STE 300 San Jose, California 95112 United States

U.S. Importer Phone: +1-408-708-1800

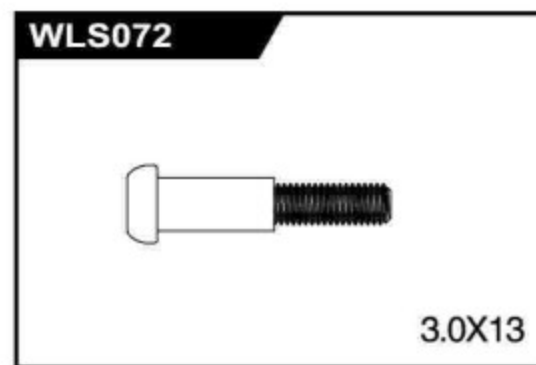
### NOTE:

Do not mix old and new batteries.

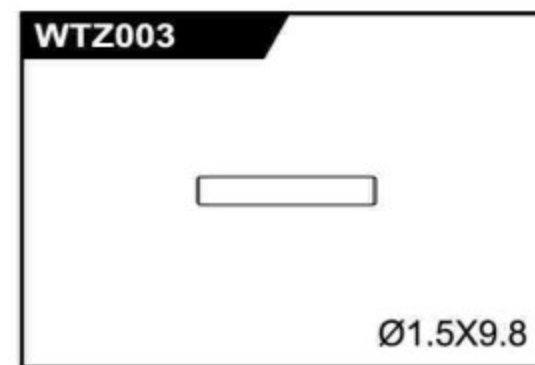
Do not mix alkaline batteries, standard (carbon-zinc) or rechargeable batteries.



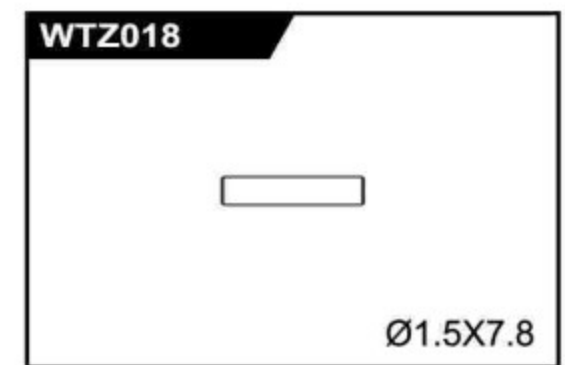
Ball head screw



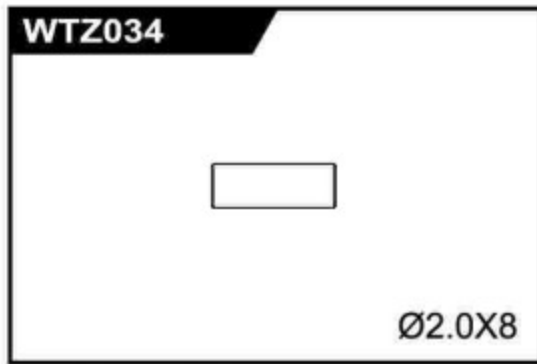
Sidestep Screw



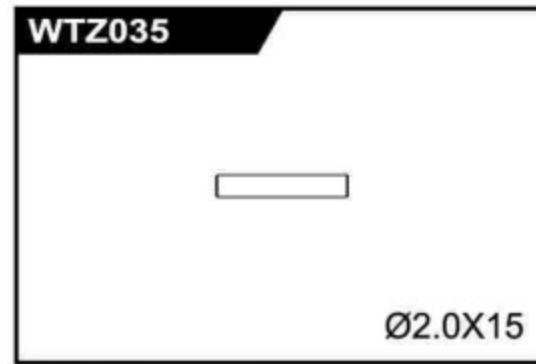
1.5x9.8 Optical Axis



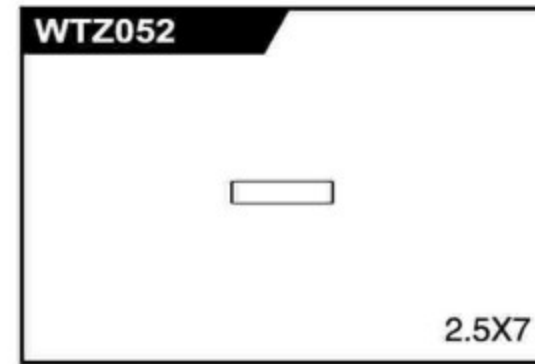
1.5X7.8 Optical Axis



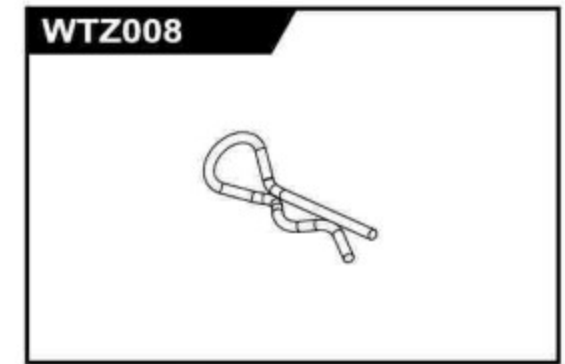
2.0X8 Optical Axis



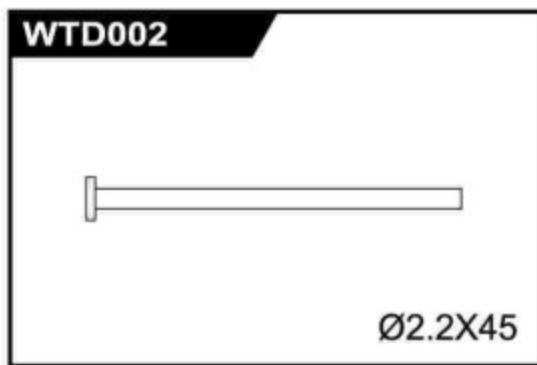
2.0X15 Optical Axis



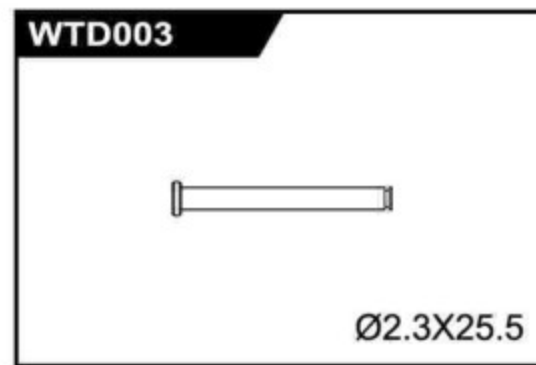
2.5X7 Optical Axis



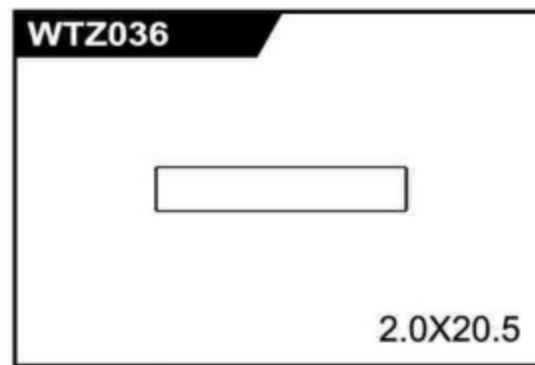
R-type Latch



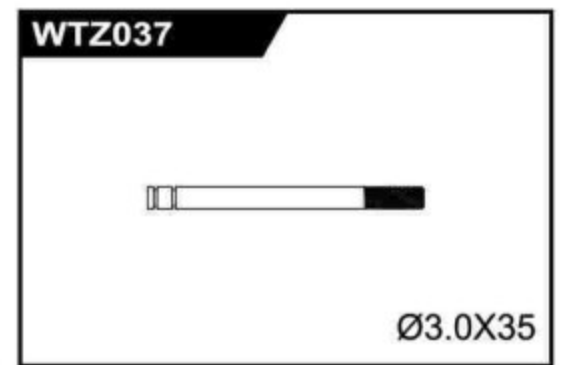
Swing arm pin



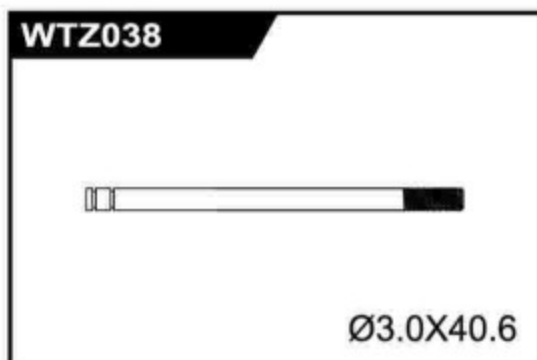
C Seat Pin



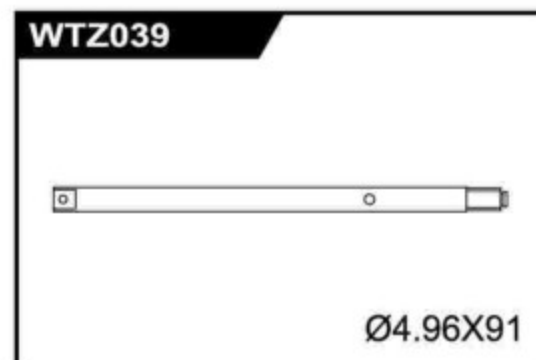
2.0X20.5 Optical Axis



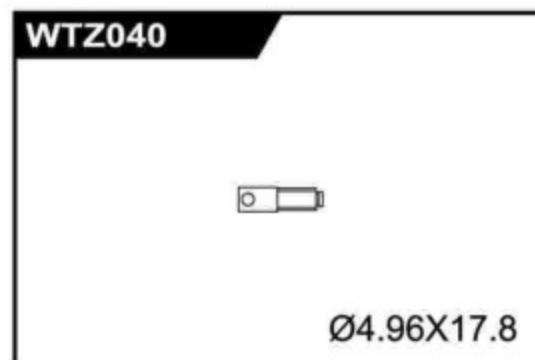
Front damping shaft



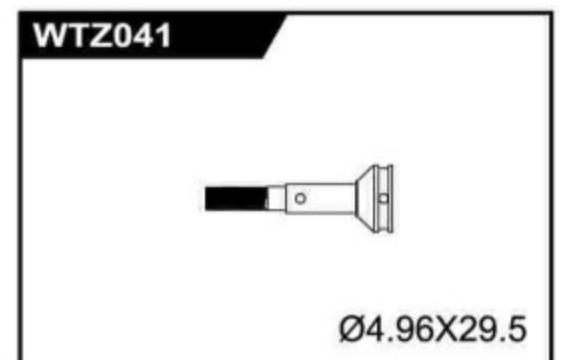
Back Damping Shaft



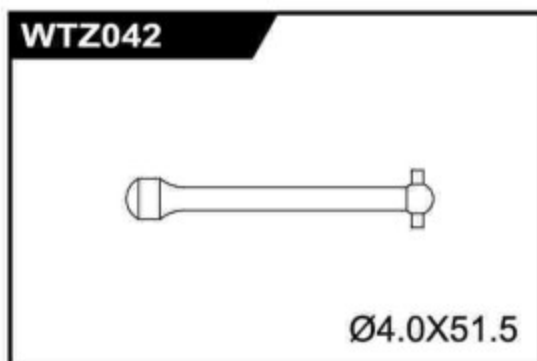
Axis



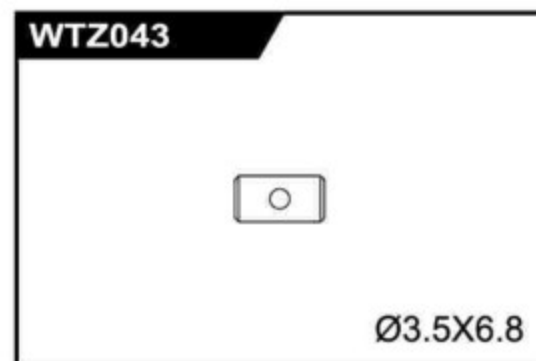
Bevel Pinion Shaft



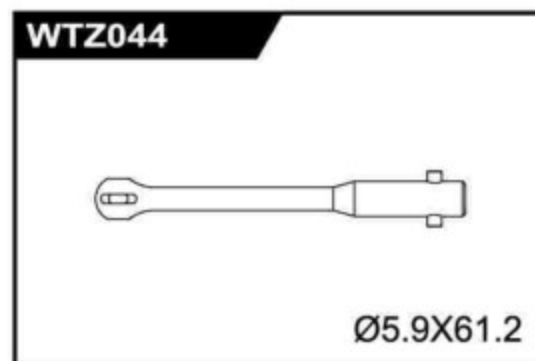
Dog Bone Cup Shaft



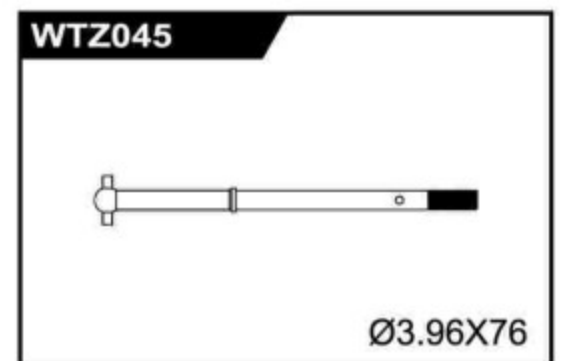
Dog Bone Drive Shaft



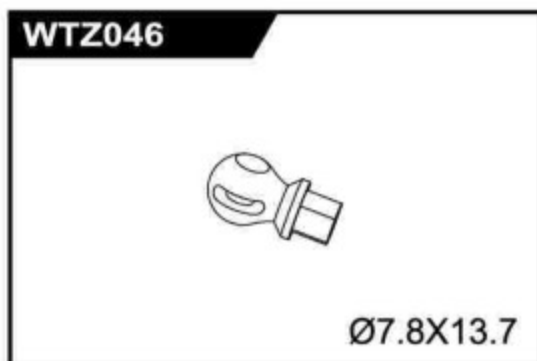
Connecting shaft with holes



Dog bone middle drive shaft



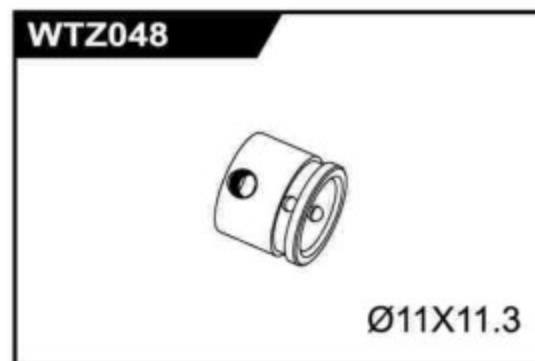
Dog Bone Shaft



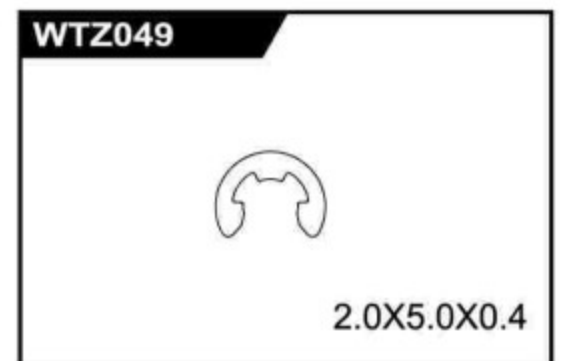
Connection Ball Head



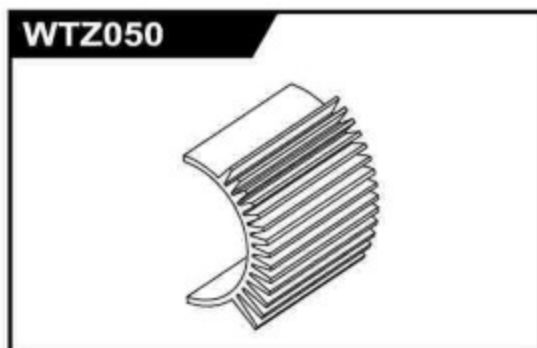
Middle Connector



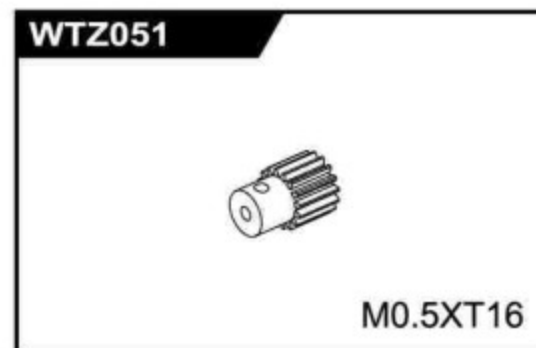
Back Connector



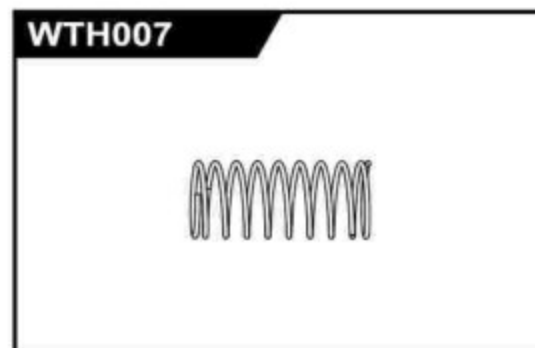
E-rings



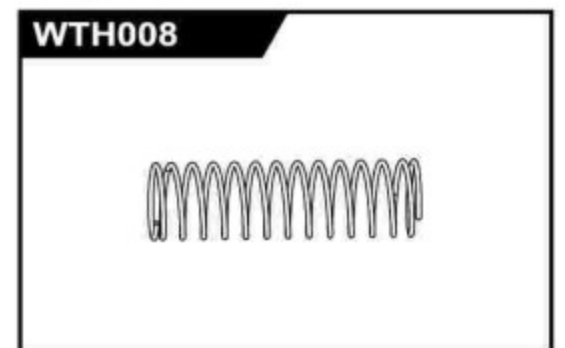
Aluminum Radiator Sheet



Motor Tooth



Front damping and decompression spring



Front damping and decompression spring

WTH009



Clutch press spring

WTH010



Dog Bone Bolt

WTT002



Ø4.5X5.0

Ball Head Sleeve

WLM001



M4

Flange Blocking Nut

WZC001



4X7X2

Ball Bearing

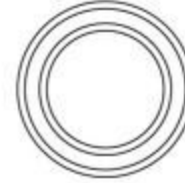
WZC002



5X9X3

Ball Bearing

WZC005



8X12X3.5

Ball Bearing

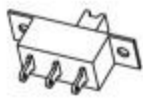
WZC004



10X15X4

Ball Bearing

DZKG03



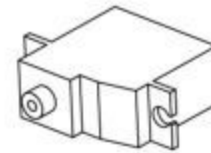
Switch

DZDJ04



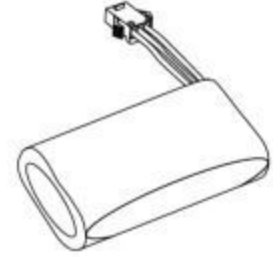
380 Motor

DZDJ05



17 g Steering Engine

DZDC04



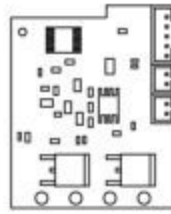
7.4V 1500mAh Large power Li-Ion battery

DZDB06



Blast-off electric plate

CJ0039



Incept PlatteIncept electric plate

WTZ044



Front damping components

CJ0040



Back Damping Components

CJ0041



Tires Assembly

CJ0042



Dog Bone Assembly

CJ0043



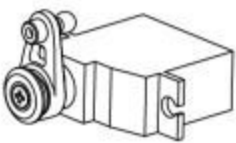
Middle shaft universal transmission components

CJ0044



Differential Components

CJ0045



Steering engine components

CJ0047



1521

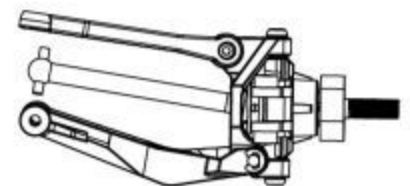
Car shell components

CJ0048



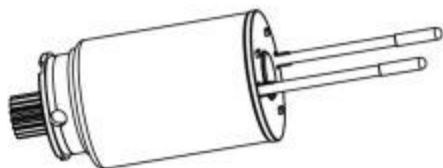
Front left swing arm assembly

CJ0049



Front right swing arm assembly

CJ0050



Motor assembly

CJ0051



Rear straight bridge assembly

CJ0038



Transmitter

SMT001



25X15mm

3M Double-sided gummed paper

# TROUBLESHOOTING

QUESTION	POSSIBLE CAUSE	SOLUTION
No match or can't control it	1.The car battery or remote control battery is completely dead 2. Out of remote range	1.Replace charged battery 2. Repair and keep in remote distance
Can't go forward or reverse	1.Low battery 2.The car shorted out when it got wet 3.Poor contact between motor and electronic regulator	1.Charging. 2. Let the car dry completely 3. Reconnect the connection wire between the motor and the electronic regulator
Can't turn left or turn right	1.Low battery 2.The car shorted out when it got wet 3. Poor contact between steering gear and electronic regulator	1.Charging 2.Let the car dry completely 3. Reconnect the connection wire between the steering gear and the electronic regulator
It won't charge	1.The output voltage or current of the power supply is too high 2.The charging cable or battery is broken	1.The output voltage and current of the power supply should be 5V 1~2A 2. Contact Caivun Customer Service
Something's missing or broken		1. Contact Caivun Customer Service
The wheels turn on their own	Pull the throttle trigger during pairing	Restart without pulling the throttle
The car can't move forward and the lights are flashing	Battery is too low	Charging
The remote control indicator is blinking slowly	The battery of the remote control is too low	Replace with new battery
For other issues you might come across, contact us at <a href="mailto:support@caivunshop.com">support@caivunshop.com</a> , we will reply in 24 hours and offer a satisfactory solution for you.		

## FCC COMPLIANCE STATEMENT

This device complies with Part 15 of the FCC Rules. Operation is subject to the following two conditions:

- (1) this device may not cause harmful interference, and
- (2) this device must accept any interference received, including interference that may cause undesired operation.

Changes or modifications not expressly approved by the party responsible for compliance could void the user's authority to operate the equipment.

This equipment has been tested and found to comply with the limits for a Class B digital device, pursuant to Part 15 of the FCC Rules. These limits are designed to provide reasonable protection against harmful interference in a residential installation. This equipment generates, uses and can radiate radio frequency energy and, if not installed and used in accordance with the instructions, may cause harmful interference to radio communications. However, there is no guarantee that interference will not occur in a particular installation. If this equipment does cause harmful interference to radio or television reception, which can be determined by turning the equipment off and on, the user is encouraged to try to correct the interference by one or more of the following measures:

- Reorient or relocate the receiving antenna.
- Increase the separation between the equipment and receiver.
- Connect the equipment into an outlet on a circuit different from that to which the receiver is connected.
- Consult the dealer or an experienced radio/TV technician for help.