

Test Report



498-2, Geumeo-ro, Pogok-eup, Cheoin-gu,
Yongin-si, Gyeonggi-do, Republic of Korea
TEL. +82-31-338-8837 FAX. +82-31-338-8847

Report No. :
MOV-21-EMC-I030
Page (1) / (23) Pages

1. Client

- Company : DASH COMPANY Inc.
- Address : 109, Teheran-ro, Gangnam-gu, Seoul, Republic of Korea
- Date of receipt : 2021-05-03
- Contact Person : Yang Ho
- E-mail : ho.yang@dodash.app
- Tel/Fax : +82-70-4752-8775 / -

2. Sample Description

- Product name : IoT(Internet of Things) terminal
- Model number : DC-20A
- FCC ID : 2A2H7-DC-20A

3. Date of Test: 2021-06-21 ~ 2021-06-25

4. Location of Test: Permanent Testing Lab On Site Testing

(Address: 494, Geumeo-ro, Pogok-eup, Cheoin-gu, Yongin-si, Gyeonggi-do,
Republic of Korea)


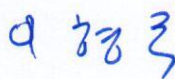
5. Test method used: FCC 47 CFR Part 15 Subpart B (Class B)
ANSI C63.4a_2017

6. Test Results

Test Items	Test Results
Conducted Emission	N/A(#Note1)
Radiated Emission (BELOW 1 GHz)	Complied
Radiated Emission (ABOVE 1 GHz)	Complied
Antenna power conduction	N/A

The results shown in this test report refer only to the sample(s) tested unless otherwise stated.

#Note1: The EUT operated to DC power supply, so test was waived.

Affirmation	Tested by Name : Woo Ram Han 	Technical manager Name : Hyung Kook Lee 
-------------	--	---

The above test certificate is a test report not related to the Korean Laboratory Accreditation Scheme.

2021-07-02

MOVON Test Lab Co., Ltd.

MOVON Test Lab Co., Ltd.

Test Report No. : MOV-21-EMC-I030

Report History

Revision	Date	Description
-	2021-07-02	Initial release



Table of Contents

1 General Information 4

 1.1 Notes 4

 1.2 Testing Laboratory 4

2 Applicant Information 5

 2.1 EUT Details..... 5

 2.2 Test mode and Condition..... 5

 2.3 Peripheral Equipment 5

 2.4 Cable list..... 6

 2.5 Test System Layout 7

3 Description of Tests 8

 3.1 Conducted Emission Measurement 8

 3.2 Radiated Emission Measurement 9

 3.3 Antenna-conducted power measurements 10

4 Test Condition 11

 4.1 Test Configuration 11

5 Test summary and results 11

 5.1 Summary of Test Results 11

 5.2 Radiated Emissions (BELOW 1 GHz)..... 12

 5.4 Radiated Emissions (ABOVE 1 GHz) 14

Appendix 1. Test Setup Photos

Appendix 2. FCC ID Label and location

Appendix 3. Photos of EUT

1 General Information

1.1 Notes

The test results of this test report relate exclusively to the test item specified in 2.2. The MOVON Test Lab Co., Ltd. does not assume responsibility for any conclusions and generalisations drawn from the test results with regard to other specimens or samples of the type of the equipment represented by the test item. The test report may only be reproduced or published in full. Reproduction or publication of extracts from the report requires the prior written approval of the MOVON Test Lab Co., Ltd.

1.2 Testing Laboratory

Test Location :
MOVON Test Lab Co., Ltd.

P. O. box 17030

Address :

498-2, Geumeo-ro, Pogok-eup, Cheoin-gu, Yongin-si, Gyeonggi-do, Republic of Korea

494, Geumeo-ro, Pogok-eup, Cheoin-gu, Yongin-si, Gyeonggi-do, Republic of Korea

Tel : +82-31-338-8837

Fax : +82-31-338-8847

E-mail : movonlab@movon.co.kr

Internet : <http://www.movonlab.co.kr>

2 Applicant Information

2.1 EUT Details

Product name	IoT(Internet of Things) terminal
Model number	DC-20A
Variant Model name	N/A
Serial number	N/A
Power supply	DC 36 V, Battery 3.7 V
Frequency range	N/A
Manufacture	DASH COMPANY Inc. 109, Teheran-ro, Gangnam-gu, Seoul, Republic of Korea

2.2 Test mode and Condition

Test mode	Normal Operation(DC IN Mode, Battery Mode)
Test voltage	DC 36 V, Battery 3.7 V

2.3 Peripheral Equipment

Test set-up of EUT

Description	Model	Serial No.	Manufacturer
IoT(Internet of Things) terminal	DC-20A	None	DASH COMPANY Inc.
buzzer	None	None	None
JIG	None	None	None
NoteBook	13ZD970-GX30K	None	LG
Adapter	ADS-40MSG-19	None	Shenzhen Honor Electronic Co.,Ltd
DC POWER SUPPLY	6674A	None	HP
TEST USIM	None	None	None

Component parts of EUT

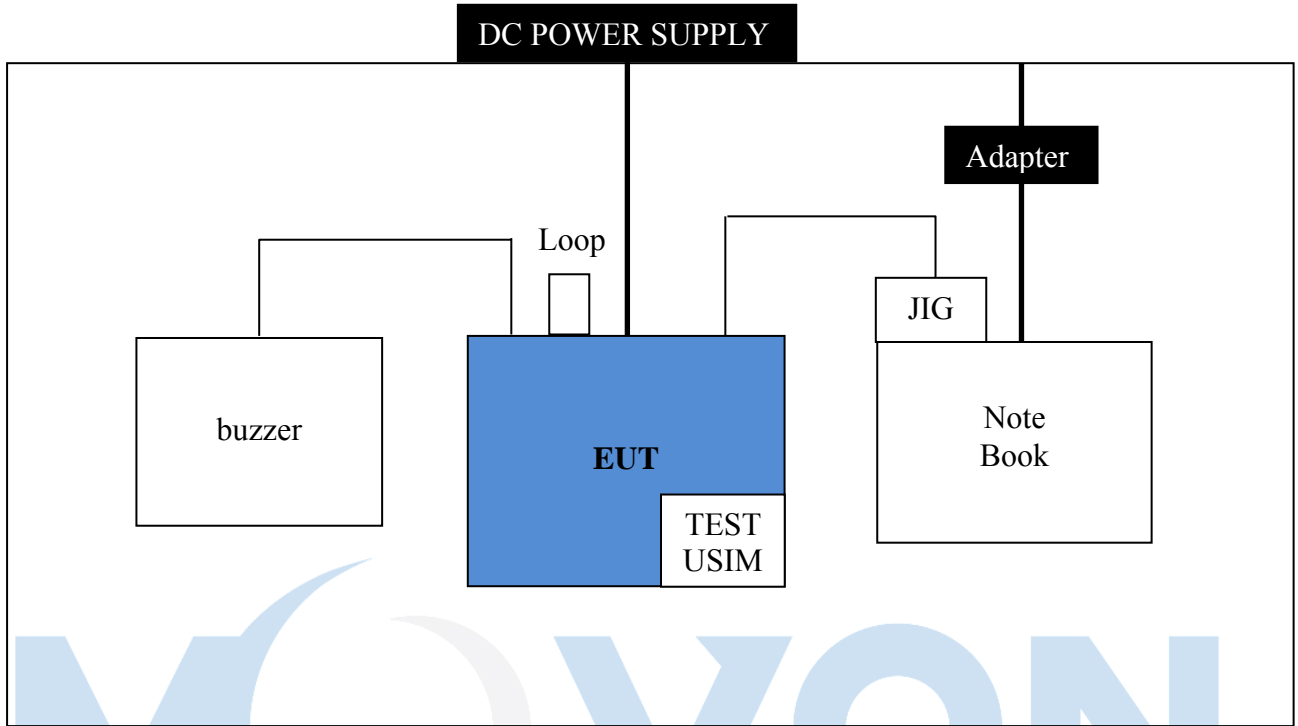
Description	Model	Serial No.	Manufacturer
-	-	-	-

2.4 Cable list

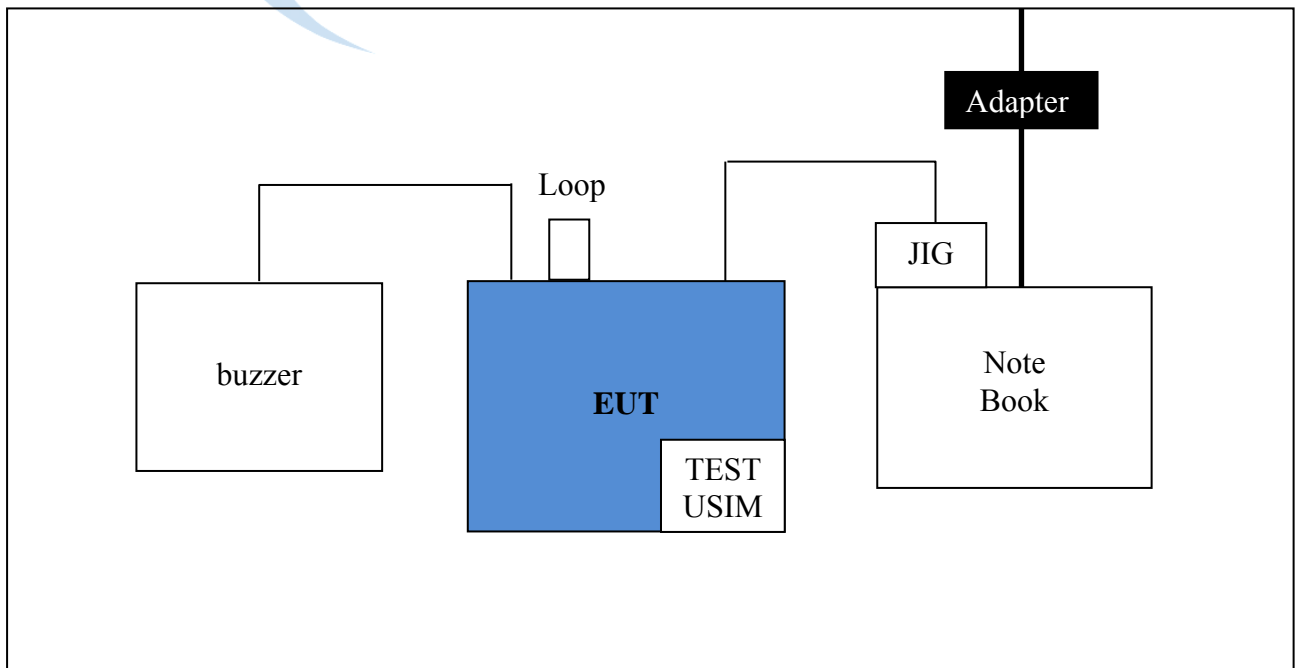
Start		END		Cable Spec.		
Name	I/O Port	Name	I/O Port	Length(m)	Shield	Core
[DC IN Mode]						
EUT	6 pin	DC POWER SUPPLY	DC OUT	1.8	Unshielded	N
		Loop	-	0.3	-	-
	4 pin	JIG	interface	0.6	Unshielded	N
	2 pin	buzzer	interface	0.2	Unshielded	N
	USIM slot	TEST USIM	-	Direct	-	-
NoteBook	USB	JIG	USB	Direct	-	-
	DC IN	Adapter	DC OUT	1.5	Unshielded	N
[Battery Mode]						
EUT	6 pin	Loop	-	0.3	-	-
	4 pin	JIG	interface	0.6	Unshielded	N
	2 pin	buzzer	interface	0.2	Unshielded	N
	USIM slot	TEST USIM	-	Direct	-	-
NoteBook	USB	JIG	USB	Direct	-	-
	DC IN	Adapter	DC OUT	1.5	Unshielded	N

2.5 Test System Layout

DC IN Mode



Battery Mode



— Signal Line
— Power Line

3 Description of Tests

3.1 Conducted Emission Measurement

Conducted emissions measurements were made in accordance with section 11, "Measurement of Information Technology Equipment" of ANSI C63.4-2014. The measurement was performed over the frequency range of 0.15 MHz to 30 MHz using a 50 Ω /50 μ H LISN as the input transducer to a Spectrum Analyzer or a Field Intensity Meter. The measurements were made with the detector set for "Peak" amplitude within a bandwidth of 10 kHz or for "quasi-peak" within a bandwidth of 9 kHz.

The line-conducted emission test is conducted inside a shielded anechoic chamber room with 1m x 1.5m x 0.8m wooden table which is placed 40cm away from the vertical wall and 1.5m away from the side wall of the chamber room. Two LISNs are bonded to bottom plane of the shielded room. The EUT is powered from the Com-power LISN and the support equipment is powered from the another Com-power LISN. Power to the LISNs is filtered by a noise cut power line filters. All electrical cables are shielded by braided tinned steel tubing with inner ϕ 1.2cm. If the EUT is a DC-powered device, power will be derived from the source power supply it normally will be powered from and these supply lines will be connected to the Com-power LISN. All interconnecting cables more than 1m were shortened by non-inductive bundling (serpentine fashion) to a 1m length. Sufficient time for the EUT, support equipment, and test equipment was allowed in order for them to warm up to their normal operating condition. The RF output of the LISN was connected to the Signal Analyzer Spectrum Analyzer to determine the frequency producing the max. Emission from the EUT. The frequencies are producing the max. Level was reexamined using the detector function set to the CISPR Quasi-Peak mode by manual, after scanned by automatic Peak mode from 0.15 to 30 MHz. The bandwidth of the Spectrum Analyzer was set to 9 kHz. The EUT, support equipment, and interconnecting cables were arranged and manipulated to maximize each emission. Each emission was maximized by switching power lines, varying the mode of operation or resolution, clock or data exchange speed, if applicable, whichever determined the worst-case emission. Each emission reported was calibrated using self-calibrating mode.

Photographs of the worst-case emission can be seen in photographs of conducted emission test setup.

3.2 Radiated Emission Measurement

Preliminary measurements were made at indoors 10 meter semi EMC Anechoic Chamber using broadband antennas, broadband amplifier, and spectrum analyzer to determine the emission frequencies producing the maximum EME.

Appropriate precaution was taken to ensure that all emissions from the EUT were maximized and investigated. The system configuration, mode of operation, turntable azimuth with respect to the antenna was noted for each frequency found. The spectrum was scanned from 30 MHz to 1 000 MHz using bilog antenna and above 1 000 MHz, linearly polarized double ridge horn antennas were used. Above 1 GHz, linearly polarized double ridge horn antennas were used. The measurements were performed with three frequencies which were selected as bottom, middle and top frequency in the operating band. Emission levels from the EUT with various configurations were examined on the spectrum analyzer connected with the RF amplifier and plotted graphically.

Final measurements were made outdoors open site at 10-meter test range using bilog antenna. The output from the antenna was connected, via a pre-selector or a preamplifier, to the input of the EMI Measuring Receiver and Spectrum analyzer(for above 1 GHz). The detector function was set to the quasi-peak or peak mode as appropriate. The measurement bandwidth on the Field strength receiver was set to at least 120 kHz (1 MHz for measurement above 1 GHz), with all post-detector filtering no less than 10 times the measurement bandwidth. Sufficient time for the EUT, support equipment, and test equipment was allowed in order for them to warm up to their normal operating condition.

Each frequency found during preliminary measurement was examined and investigated as the same set up and configuration which produced the maximum emission. The EUT, support equipment and interconnecting cables were configured to the set-up producing the maximum emission for the frequency and were placed on top of a 0.8-meter high non-metallic 1 m x 1.5 m table. The turntable containing the system was rotated and the antenna height was varied 1 m to 4 m and stopped at the azimuth or height producing the maximum emission.

Each emission was maximized by varying the mode of operating frequencies of the EUT. The system was tested in all the three orthogonal planes and changing the polarity of the antenna. The worst case emissions are recorded in the data tables. If necessary, the radiated emission measurement could be performed at a closer distance to ensure higher accuracy and the results were extrapolated to the specified distance using an inverse linear distance extrapolation factor(20 dB/decade) as per section 15.31(f).

Photographs of the worst-case emission test setup can be seen in Appendix 1.

3.3 Antenna-conducted power measurements

A typical signal or an unmodulated CW signal at the operating frequency of the EUT shall be supplied to the EUT for all measurements. Such a signal may be supplied by either a signal generator with an antenna in close proximity to the EUT or directly conducted into the antenna terminals of the EUT. The signal level shall be sufficient to stabilize the local oscillator of the EUT.

Antenna-conducted power measurements was performed when a receiver is measured for radiated emissions with a terminating resistor instead of an antenna connected to the antenna input terminals of the device. Power available from the receive antenna terminals was to be determined by measurement of the voltage present at these terminals. For frequencies below or equal to 1 000 MHz, a quasi-peak detector shall be used for these measurements. If the peak detected signals are below the limit, then no further investigation of the quasi-peak readings is required. For frequencies above 1 000 MHz, both a peak and an Cspr-average detector shall be used for these measurements. When emissions limits are specified for both Cspr-average and peak detection, if the peak measured value meets the Cspr-average limit, it is unnecessary to perform an Cspr-average measurement.

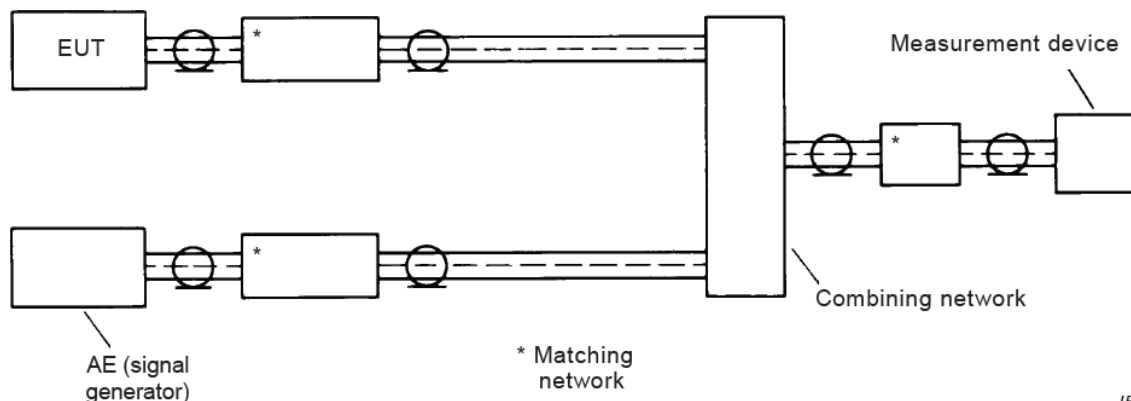
Antenna-conducted power measurements was performed with the EUT antenna terminals connected to measuring instrument (R&S / ESR3) using a impedance-matching pad (UNMP-5075+ / MINI-CIRCUITS) to connect the measurement instrument to the antenna terminals of the EUT.

Losses in decibels in impedance-matching network used was added to the measured values in $\text{dB}\mu\text{V}$.

With the receiver tuned to one of the number of frequencies, measure both the frequency and voltage present at the antenna input terminals over the frequency range specified in the individual equipment requirements.

The measurements was repeated with the receiver tuned to another frequency until the number of frequencies had been successively measured.

Power available from the receive antenna terminals is the ratio of V^2 / R , where V is the loss-corrected voltage measured at the antenna terminals, and R is the impedance of the measuring instrument.



4 Test Condition

4.1 Test Configuration

The device was configured for testing in a typical fashion (as a customer would normally use it). During the tests, the EUT and the supported equipments were installed to meet FCC requirement and operated in a manner which tends to maximize its emission level in a typical application.

Radiated Emission Test

Preliminary radiated emission tests were conducted using the procedure in ANSI C63.4/2014 Clause 8.3.1.1 to determine the worst operating condition. Final radiated emission tests were conducted at 3 m open field test site.

5 Test summary and results

5.1 Summary of Test Results

The measurement results were obtained with the EUT tested in the conditions described in this report. Detailed measurement data and plots showing the maximum emission of the EUT are reported.

FCC Rule Parts	Measurement Required	Result	Remark
15.107(a)	Conducted Emission	N/A	-
15.109(a)	Radiated Emissions	Passed by – 16.82 dB	Below 1 GHz
15.109(a)	Radiated Emissions	Passed by – 23.63 dB	Above 1 GHz
15.111	Antenna-conducted power measurements	N/A	-

※ Remark

* Radiated Emissions (BELOW 1 GHz) HORIZONTAL/ VERTICAL

Measurement Uncertainty = $U(Co(y)) = k \times uc(Ro(y)) = 2 \times 2.136 = 4.27$ dB

Measurement Uncertainty = $U(Co(y)) = k \times uc(Ro(y)) = 2 \times 2.138 = 4.28$ dB

* Radiated Emissions (ABOVE 1 GHz)

Measurement Uncertainty = $U(Co(y)) = k \times uc(Ro(y)) = 2 \times 2.529 = 5.06$ dB

(The coverage factor $k=2$ yields approximately a 95 % level of confidence.)

These results are satisfied in accordance with decision rules, including measurements and estimates of measurement uncertainty

5.2 Radiated Emissions (BELOW 1 GHz)

5.2.1 Test Results : **Complied**

5.2.2 Measurement equipment

Kind of Equipment	Manufacture / Model	S/N	Calibrated until
EMI TEST RECEIVER	Rohde & Schwarz / ESVS30	829673/015	2021.11.23
Antenna Mast	INNCO / MA4000-EP	MA4000/285/23880210/L	N/A
Controller	INNCO / CO2000	CO2000/561/23880210/L	N/A
TRILOG Supper Broadband test Antenna	SCHWARZBECK / VULB9161 SE	4159	2022.04.01

5.2.3 Testing Environment

Test Date: 2021-06-25

Temperature: 29.5 °C

Humidity: 37.0 % R.H.

Atmospheric Pressure: 100.0 kPa

NOTES :

1. * H : Horizontal polarization , ** V : Vertical polarization
2. Emission Level = Reading + Antenna factor + Cable loss + AMP Gain
3. Margin value = Emission Level - Limit
4. $dB\mu V = 20 \log \text{Emission Level}(\mu V/m) \text{ ex) } 20 * \log(90)$

5.2.4 Test Data

The following table shows the highest levels of radiated emissions on both polarization of horizontal and vertical

Measurement Distance: 3 m

DC IN Mode

Frequency (MHz)	Reading[dB μ V]		H(cm)	Antenna Factor (dB/m)	Cable loss (dB)	Limit (dB μ V/m)	Results (dB μ V/m)	Margin (dB)
	H	V						
125.00	-	10.1	100	12.68	1.78	43.52	24.6	18.92
141.37	-	3.7	100	17.26	1.88	43.52	22.8	20.72
160.02	-	0.8	100	19.50	1.97	43.52	22.3	21.22
233.78	-	10.3	100	11.30	2.32	46.02	23.9	22.12
259.36	-	11.7	100	11.52	2.44	46.02	25.7	20.32
337.46	12.0	-	400	13.72	2.79	46.02	28.5	17.52

Battery Mode

Frequency (MHz)	Reading[dB μ V]		H(cm)	Antenna Factor (dB/m)	Cable loss (dB)	Limit (dB μ V/m)	Results (dB μ V/m)	Margin (dB)
	H	V						
121.57	-	9.9	100	11.66	1.76	43.52	23.3	20.22
131.34	-	5.7	100	14.55	1.82	43.52	22.1	21.42
140.66	-	3.8	100	17.18	1.87	43.52	22.9	20.62
153.27	-	2.5	100	18.69	1.94	43.52	23.1	20.42
215.31	-	10.1	100	11.41	2.23	43.52	23.7	19.82
237.13	-	15.6	100	11.28	2.33	46.02	29.2	16.82

Note. ◆ Reading H = Antenna Horizontal ◆ Reading V = Antenna Vertical ◆ A(°) = Turn table Angle
 ◆ H(cm) = Antenna Height ◆ Results = Reading + Antenna factor + Cable loss
 ◆ Margin = Limit - Results

5.3 Radiated Emissions (ABOVE 1 GHz)5.3.1 Test Results : **Complied**

5.3.2 Measurement equipment

Kind of Equipment	Manufacture / Model	S/N	Calibrated until
EMI TEST RECEIVER	Rohde & Schwarz / ESIB26	100196	2021.11.24
Antenna Master	INNCO / MA4640-XP-ET	None	N/A
Controller	INNCO / CO3000	CO3000/812/34240914/L	N/A
Double-ridged horn antenna	R&S / HF906	100236	2021.07.02
Low Noise Amplifier	TESTEK / TK-PA18H	170013-L	2022.05.17
Software	ROHDE & SCHWARZ / EMC32	Version 10.20.01	N/A

5.3.3 Testing Environment

Test Date: 2021-06-21

Temperature: 23.3 °C

Humidity: 41.0 % R.H.

Atmospheric Pressure: 100.5 kPa

5.3.4 Test Data for above 1 GHz

The following table shows the highest levels of radiated emissions on both polarization of horizontal and vertical

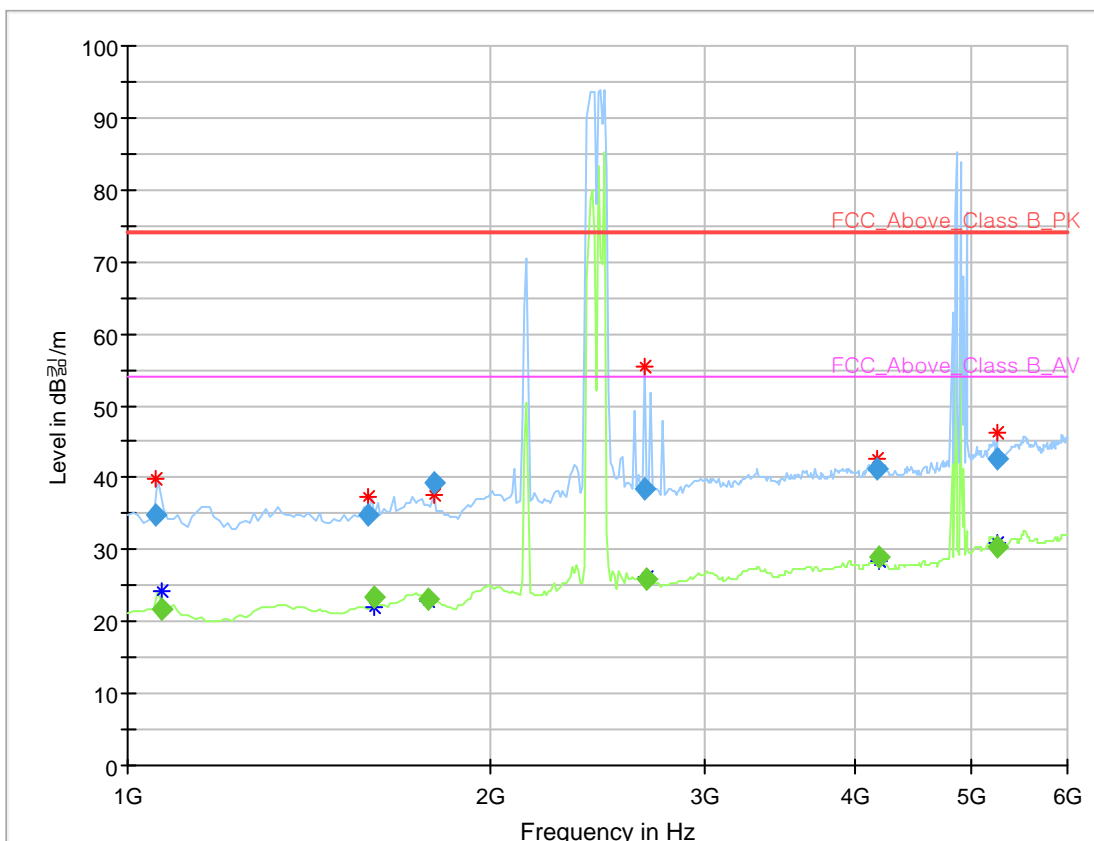
Measurement Distance: 10 m

NOTES :

1. * H : Horizontal polarization , ** V : Vertical polarization
2. Emission Level = Reading + Antenna factor + Cable loss + AMP Gain
3. Margin value = Emission Level - Limit

Common Information

Test Description:	Radiated Emission Above 1GHz
Project No.:	0205-01-02/21
Test Site:	3 m Semi Anechoic Chamber
Model Name:	DC-20A
Test Mode:	operate

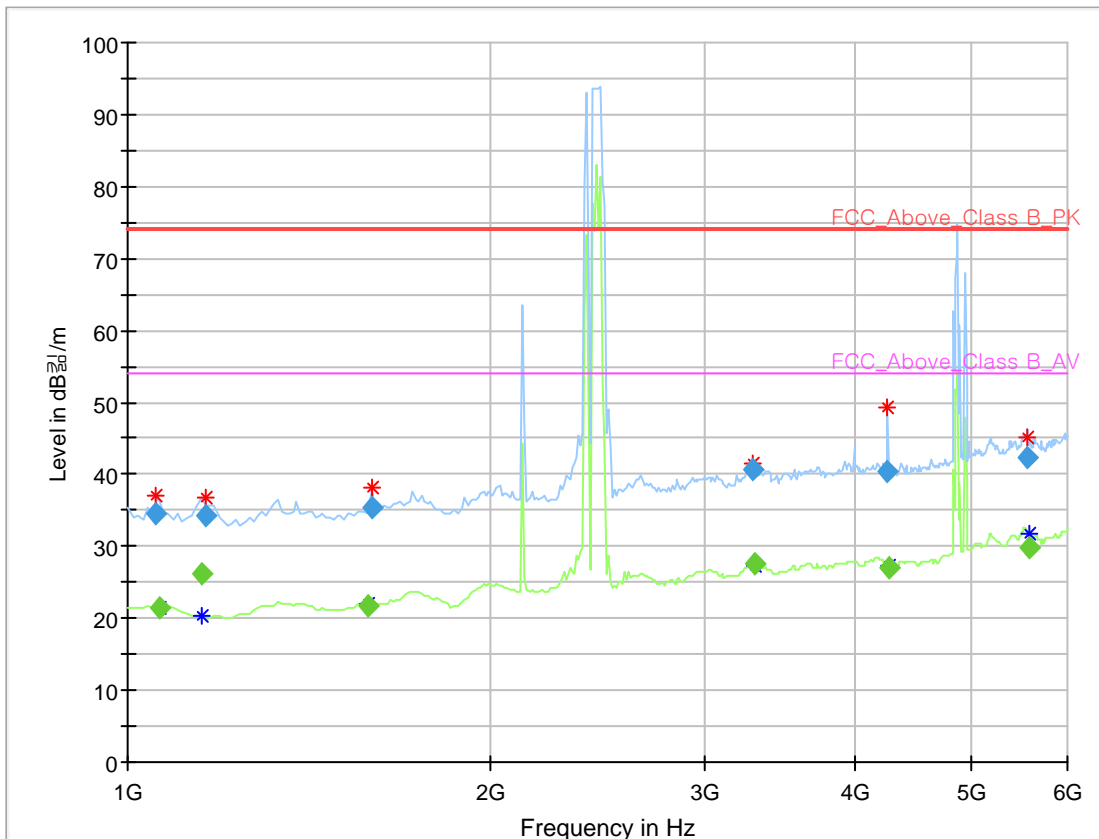


Final Result

Frequency (MHz)	MaxPeak (dBμV/m)	CAverage (dBμV/m)	Limit (dBμV/m)	Margin (dB)	Bandwidth (kHz)	Height (cm)	Pol	Azimuth (deg)	Corr. (dB)
1052.955911	34.86	---	74.00	39.14	1000.000	125.0	V	-3.0	-16.0
1066.799599	---	21.60	54.00	32.40	1000.000	125.0	V	-2.0	-16.0
1581.901804	34.94	---	74.00	39.06	1000.000	100.0	V	15.0	-13.3
1601.697395	---	23.42	54.00	30.58	1000.000	100.0	V	-3.0	-13.3
1777.044088	---	23.13	54.00	30.87	1000.000	125.0	V	309.0	-12.1
1794.823647	39.29	---	74.00	34.72	1000.000	120.3	V	15.0	-12.0
2675.100200	38.53	---	74.00	35.47	1000.000	218.4	V	194.0	-7.9
2691.765531	---	25.96	54.00	28.04	1000.000	303.1	H	15.0	-7.8
4174.699398	41.16	---	74.00	32.84	1000.000	302.4	H	316.0	-3.1
4183.220440	---	28.90	54.00	25.10	1000.000	274.9	V	281.0	-3.0
5244.110220	42.62	---	74.00	31.38	1000.000	288.5	H	51.0	0.0
5248.771543	---	30.37	54.00	23.63	1000.000	274.8	V	330.0	0.0

Common Information

Test Description:	Radiated Emission Above 1GHz
Project No.:	0205-01-02/21
Test Site:	3 m Semi Anechoic Chamber
Model Name:	DC-20A
Test Mode:	Operate(battery)



Final_Result

Frequency (MHz)	MaxPeak (dBμV/m)	CAverage (dBμV/m)	Limit (dBμV/m)	Margin (dB)	Bandwidth (kHz)	Height (cm)	Pol	Azimuth (deg)	Corr. (dB)
1055.380761	34.45	---	74.00	39.55	1000.000	174.8	V	120.0	-16.0
1064.595190	---	21.54	54.00	32.46	1000.000	118.4	V	205.0	-16.0
1151.997996	---	26.16	54.00	27.84	1000.000	213.0	V	164.0	-15.6
1160.771543	34.38	---	74.00	39.62	1000.000	125.1	H	-15.0	-15.5
1581.216433	---	21.80	54.00	32.20	1000.000	319.8	V	321.0	-13.3
1595.921844	35.27	---	74.00	38.73	1000.000	225.0	V	241.0	-13.3
3290.202404	40.67	---	74.00	33.33	1000.000	325.2	H	-15.0	-5.1
3305.412825	---	27.66	54.00	26.34	1000.000	274.8	V	191.0	-5.0
4251.376753	40.40	---	74.00	33.60	1000.000	100.0	V	353.0	-3.2
4275.328657	---	26.89	54.00	27.11	1000.000	125.1	V	15.0	-3.2
5549.208416	42.32	---	74.00	31.68	1000.000	193.0	H	-2.0	0.6
5577.725451	---	29.75	54.00	24.25	1000.000	325.0	H	144.0	0.7

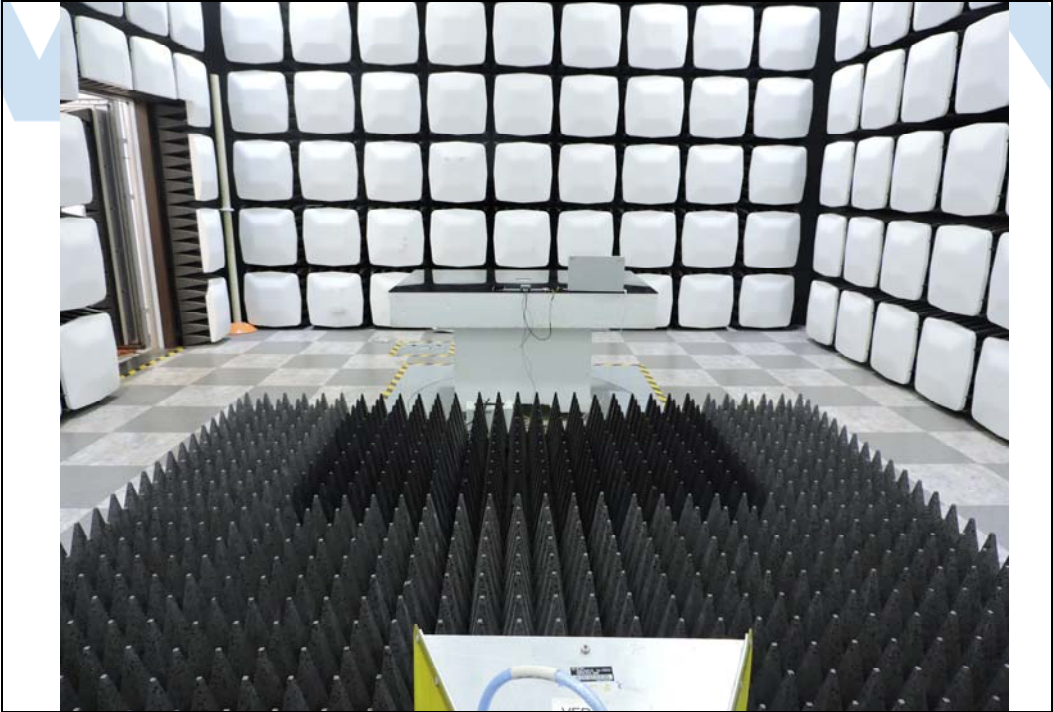
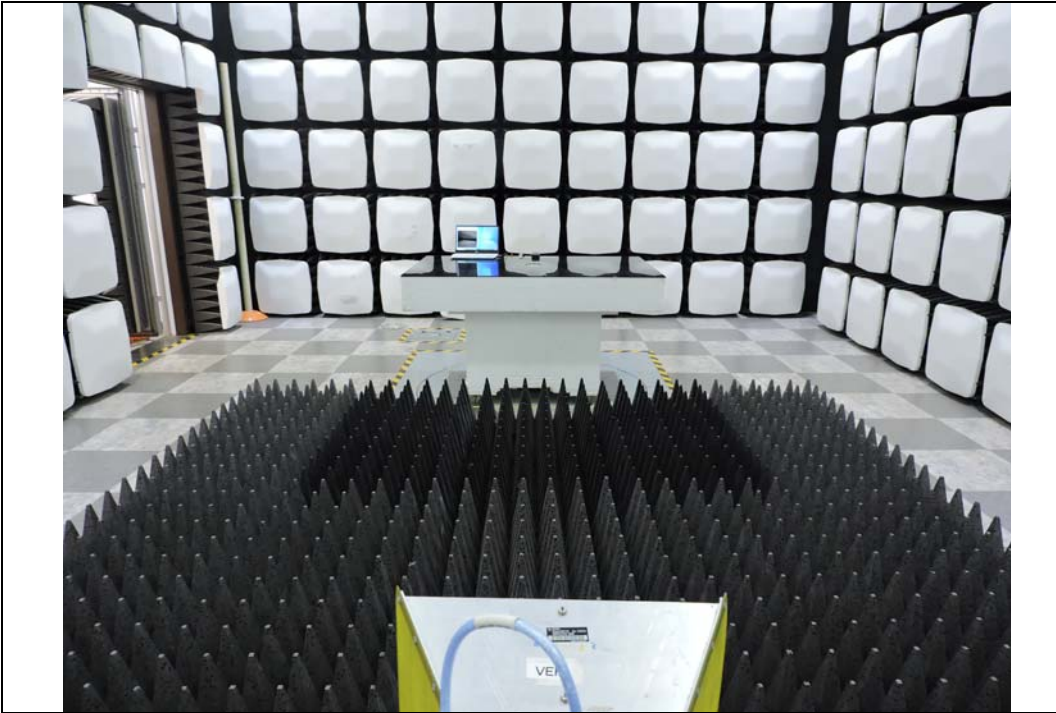
◆ 2.15 GHz and 2.4 GHz and 4.8 GHz band frequencies excluded as communication frequencies.

Appendix 1. Test Setup Photographs

Radiated Emission Test Setup (BELOW 1 GHz)



Radiated Emission Test Setup (ABOVE 1 GHz)



Appendix 2. FCC ID Label and location

Product Label Sample with FCC ID Label information

Following is a sample copy of the label that will be placed on the rear cabinet of the product.
The FCC identifier is marked in the product label.
The warning statement and Information to the User are described in the user manual.

DASH COMPANY Inc.

Product Name : IoT(Internet of Things) terminal
Model Name : DC-20A
FCC ID : 2A2H7-DC-20A

This device complies with Part 15 of the FCC Rules.
Operation is subject to the following two conditions:
(1) this device may not cause harmful interference, and
(2) this device must accept any interference received,
including interference that may cause undesired operation.

Made In Republic of Korea



Appendix 3 Photos of EUT

Front of EUT



Rear of EUT



Right of EUT



Left of EUT



Top of EUT



Bottom of EUT



Inside of EUT

