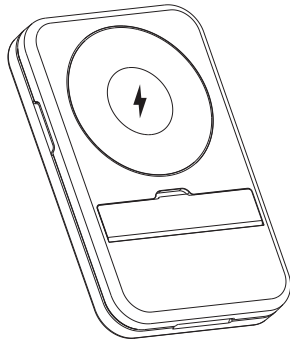


511 说明书-213*83mm-128G-双面印刷

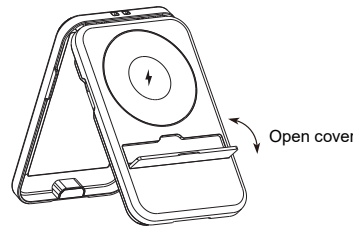
Multi-functional Box with 15W Magsafe Wireless Charger



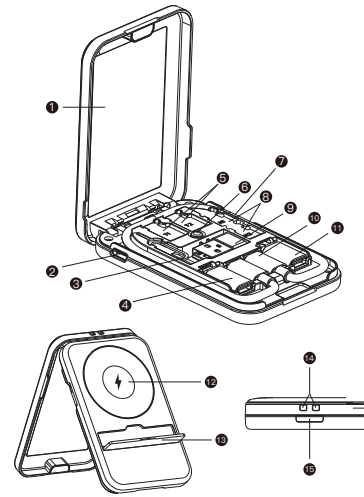
User Manual

Patent No.:202230597988.X

Access



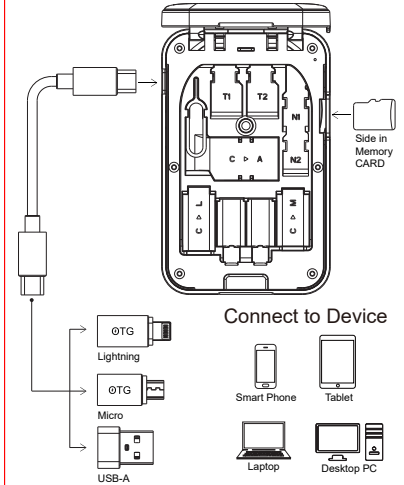
Product Schematic



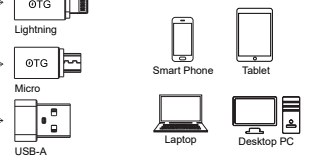
- | | | |
|---------------------|------------------|---------------------|
| ① Makeup Mirror | ② Type-C Port | ③ Ejector Pin |
| ④ Lightning Adapter | ④ TF Card Slot | ④ LED Switch |
| ⑤ TF Card Reader | ⑤ Nano Card Slot | ⑤ USB Adapter |
| ⑥ Type-C Cable | ⑥ Micro Adapter | ⑥ Wireless Charging |
| ⑦ Phone Cradle | ⑦ Lanyard hole | ⑥ LED Light |

Connection Schematic

T-Flash (Micro SD HD/XC) Card Reader(USB2.0)



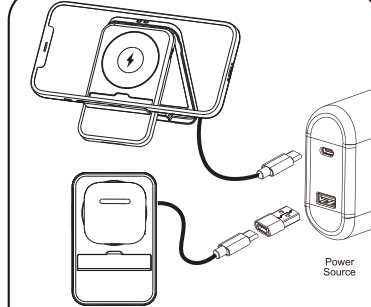
Connect to Device



Pay attention

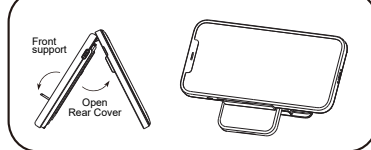
1. OTG function requires mobile device support to use.
2. When using, you need to insert the card first, then connect the device.
3. When disconnecting, you need to pop up the card reader on the mobile device.

Wireless charging

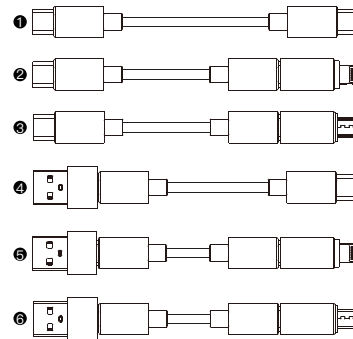


Support for smart Wireless Phone / iWatch / AirPods Wireless charging.
1. Place device at the center to charge.
2. Mobile phone cradle mode wireless charging, but iWatch / AirPods do not.

Phone Cradle



Multi-Cable(6 types cable)

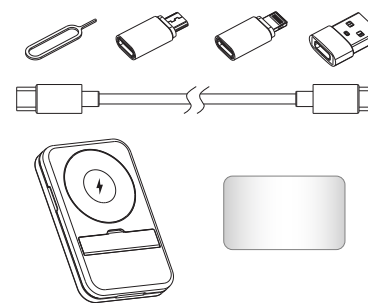


- | | |
|-----------------------|-----------------------|
| ① Type-C to Type-C | ② Type-C to Lightning |
| ③ Type-C to Micro USB | ④ Type-A to Type-C |
| ⑤ Type-A to Lightning | ⑥ Type-A to Micro USB |

USB-C to USB-C cable, support PD 65W charging and fast charge cable.

3 types of adapters, USB-A to USB-C Adapter, USB-C to Micro-USB Adapter, USB-C to iPhone Adapter.

Package Contents



- | | |
|------------------------------|---------------------------|
| Multi-functional Box _____x1 | USB A Adapter _____x1 |
| 2.0 USB-C Cable _____x1 | Micro Adapter _____x1 |
| Ejector Pin _____x1 | Lightning Adapter _____x1 |
| Makeup Mirror _____x1 | |

Not Included TF, SIM Nano Card.

Large Capacity

Can store TFX 2, Nano x 2, to meet your daily memory card storage needs; TF, Nano SIM Card is loaded into the designated position according to the logo; TF Slot: T1-T2 Nano Slot: N1-N2

Product Specifications

- LED: 1Watt(Color 5k)
- Input: USB-C 2.0 male
- TF Card Reader: TF 2.0, the max theoretical transfer rate is 480Mbps
- Support maximum capacity: 512GB
- Support system: Windows/Mac OS/Linux/Smart Phone
- Body size: L61xW15xH96 (mm)
- Card Slot: TF x2pcs, Nano x2pcs



1. Do not short-circuit, disassemble or put the device in high temperature, so as to avoid danger.
2. Do not expose the product to rain or wet, overheating in case of Break down
3. Do not place the product within easy access of children
4. Do not use the product to charge over-rated electronic devices to avoid any problem caused by mismatch of specifications.
5. The product may fever in the use of process. It is normal phenomenon and won't affect its safety and lifetime.
6. Under normal room temperature. It is normal phenomenon that fever does not exceed -10~55°C.

This device complies with Part 15 of the FCC Rules. Operation is subject to the following two conditions: (1) this device may not cause harmful interference, and (2) this device must accept any interference received, including interference that may cause undesired operation

NOTE: This equipment has been tested and found to comply with the limits for a Class B digital device, pursuant to Part 15 of the FCC Rules. These limits are designed to provide reasonable protection against harmful interference in a residential installation. This equipment generates, uses and can radiate radio frequency energy and, if not installed and used in accordance with the instructions, may cause harmful interference to radio communications. However, there is no guarantee that interference will not occur in a particular installation.

If this equipment does cause harmful interference to radio or television reception, which can be determined by turning the equipment off and on, the user is encouraged to try to correct the interference by one or more of the following measures:

- Reorient or relocate the receiving antenna.
- Increase the separation between the equipment and receiver.
- Connect the equipment into an outlet on a circuit different from that to which the receiver is connected.
- Consult the dealer or an experienced radio/TV technician for help.

Warning: changes or modifications not expressly approved by the party responsible for compliance could void the user's authority to operate the equipment

Radiation Exposure Statement

This equipment complies with FCC radiation exposure limits set forth for an uncontrolled environment.

This equipment should be installed and operated with minimum distance 20cm between the radiator and your body.