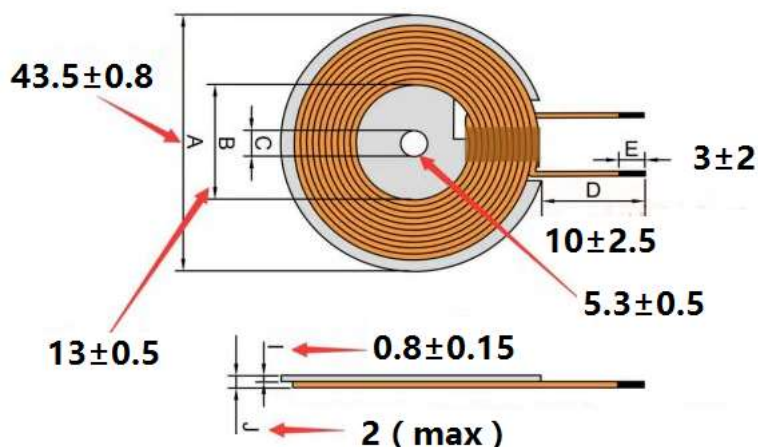


Guangzhou AMEIOU Electronic Technology Co., LTD

SPECIFICATION FOR APPROVAL

■ Product Appearance & Dimensions (Unit: mm)



(Note: The picture is for reference only, and the product is subject to the real object.)

Ant.	Antenna Brand	Antenna Model Name	Antenna Type	Connector	Gain (dBi)	NOTE
1	N/A	N/A	Inductive Loop Antenna	N/A	1.0dBi	Antenna

Parameter:	Value
Product name:	Wireless Charging Coil Module
Product number:	HY435Y130C13G72-10S
Ferrite type:	φ 43.5*φ 5.3*0.8mm
Coil type:	Enamelled copper wire 0.08*72P
Coil Turns:	13TS
Coil direction:	CW
Inductance (L):	6.5 μH ±10%
Testing Instrument:	TH2816B @100kHz、1Vrms; TH2512B At 25°C
Note:	Common double-sided adhesive tape is pasted on the back of the product.

■ Contact Us For More Information.

www.ameiou.com

TEL: 13503022030