

APPROVAL SHEET

**OverAir™ SMD Antenna series
RoHS Compliance**

PN: OA-W01

2.4G/5G WIFI band antenna

Approval sheet

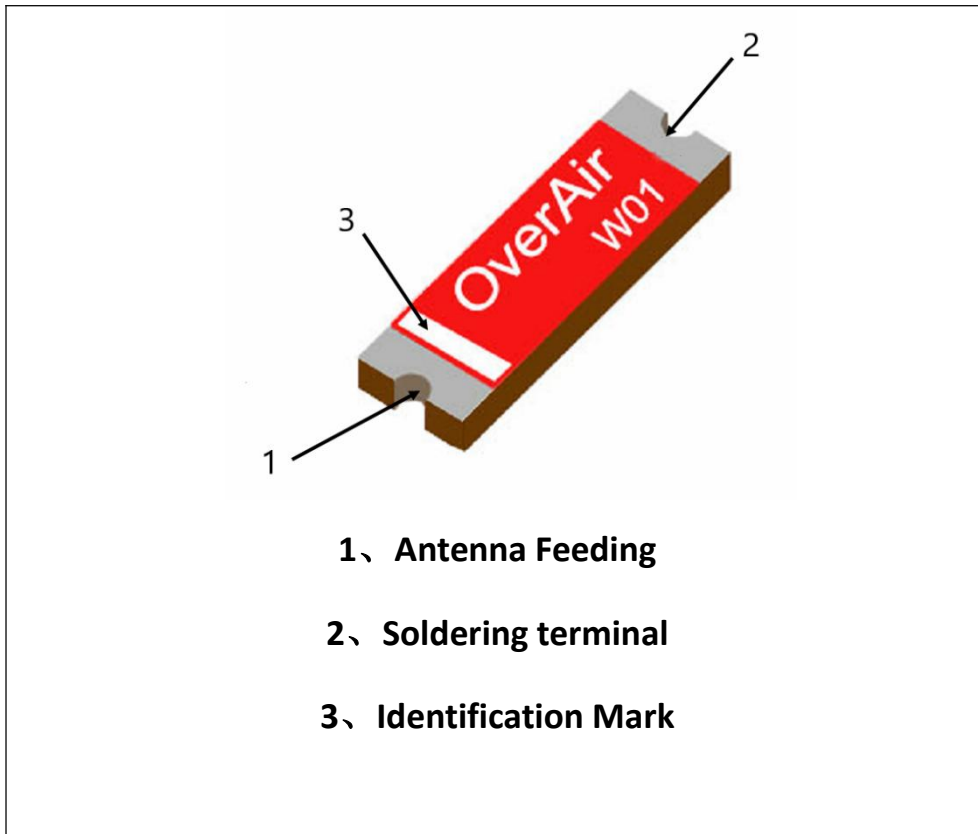
FEATURES

1. Surface Mounted Devices (SMD) with a small dimension of 8.0 X 3.0 X 1.0 mm³ meet miniaturization trend.
2. Low power loss and high antenna efficiency.
3. High stability in Temperature and Humidity Change.

APPLICATIONS

1. 2.4G/5G WIFI band RF applications
2. WIFI (2.4G/5G)

CONSTRUCTION



DIMENSIONS

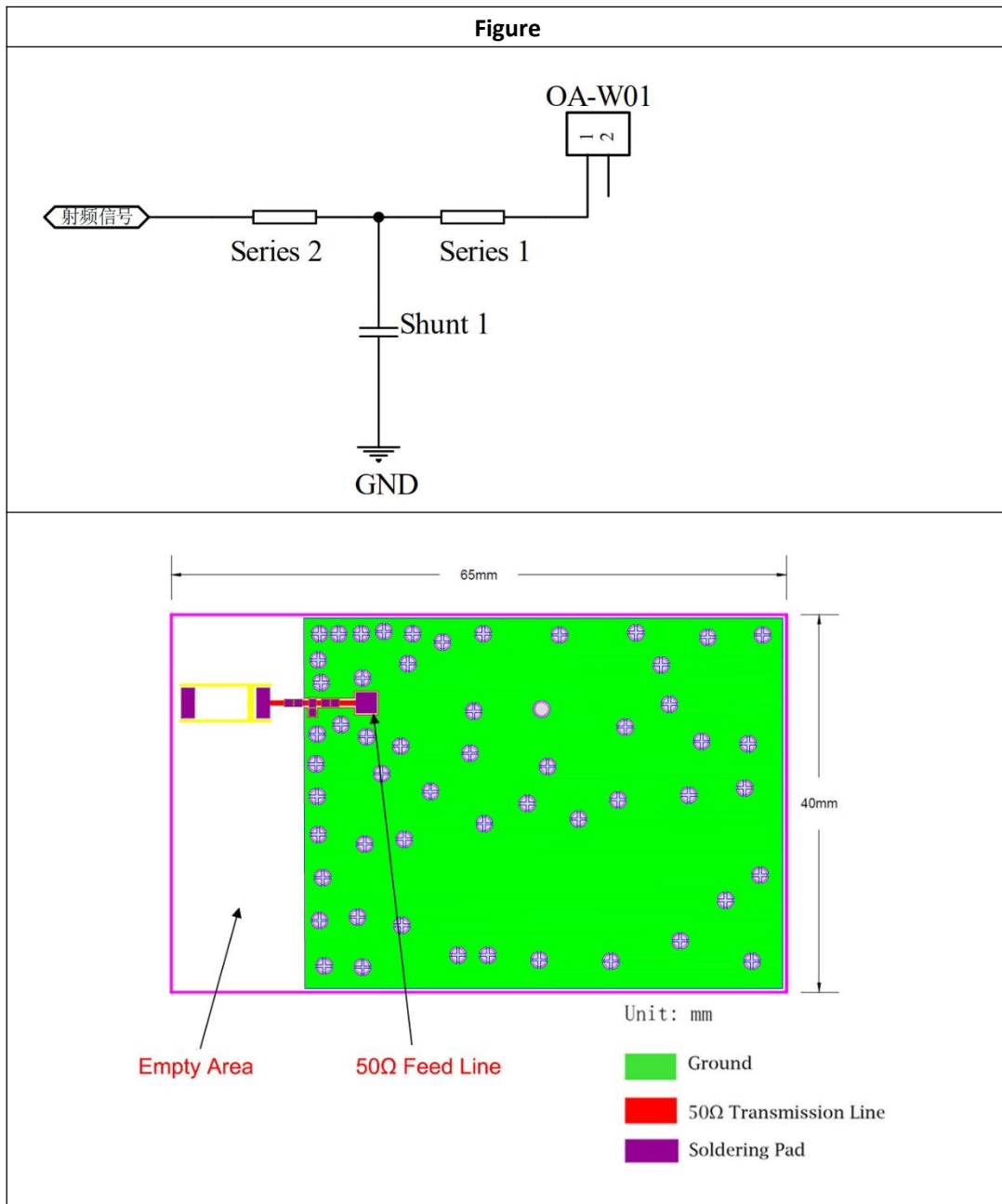
Figure	Symbol	Dimension(mm)
	L	8.0±0.1
	w	3.0±0.1
	T	1.0±0.1
	a	0.6±0.1

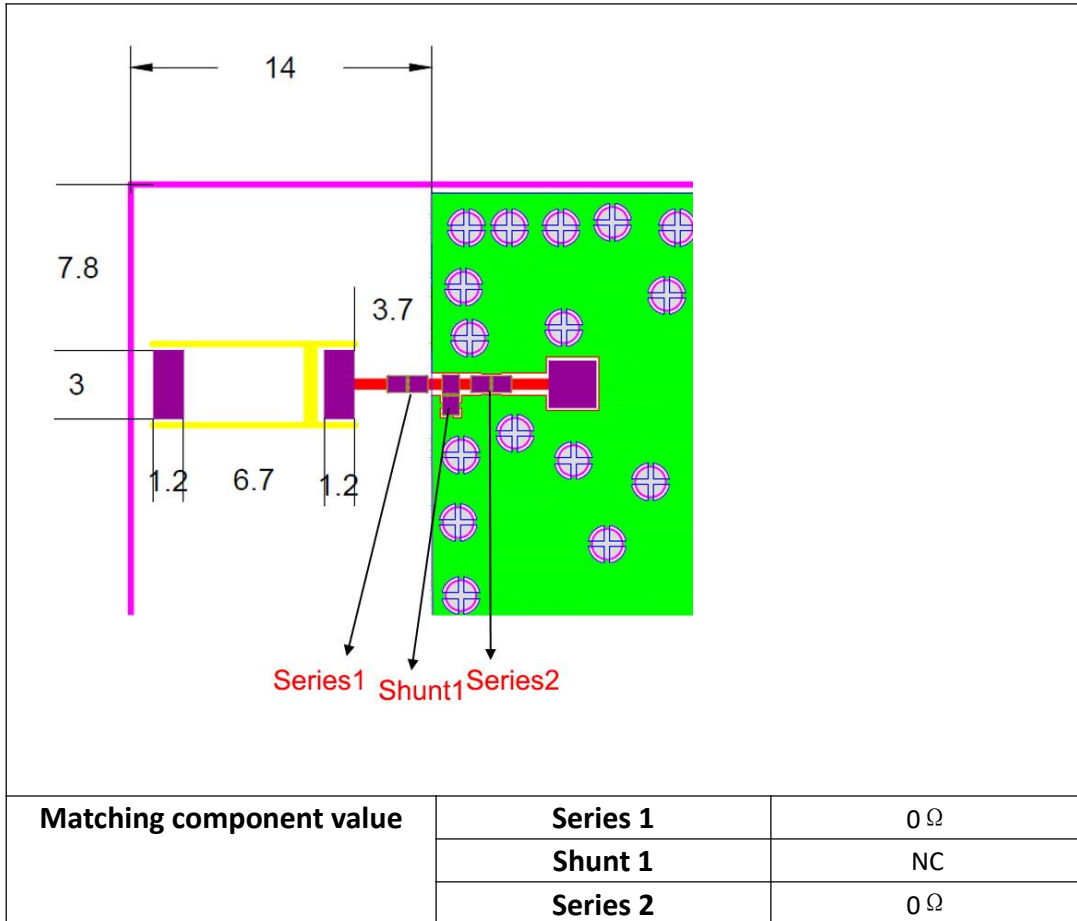
ELECTRICAL CHARACTERISTICS

OA-W01	Specification
Working Frequency Range	2400-2500MHz, 5200-5800MHz
Impedance	50 Ω
Gain(dBi)	3.3dBi (2.45GHz) , 1.0dBi (5.5Ghz)
VSWR	<2
Operation Temperature	-40°C~+85°C
Power Capacity	3W

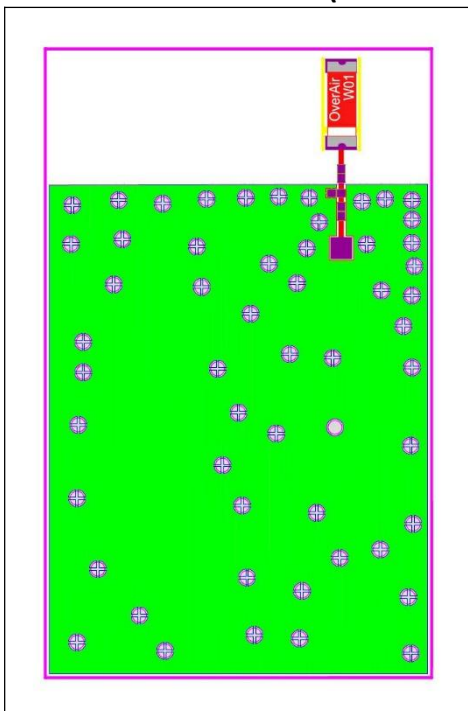
The working frequency need be adjusted to 2.45GHz with matching circuit.

SOLDER LAND PATTERN DESIGN

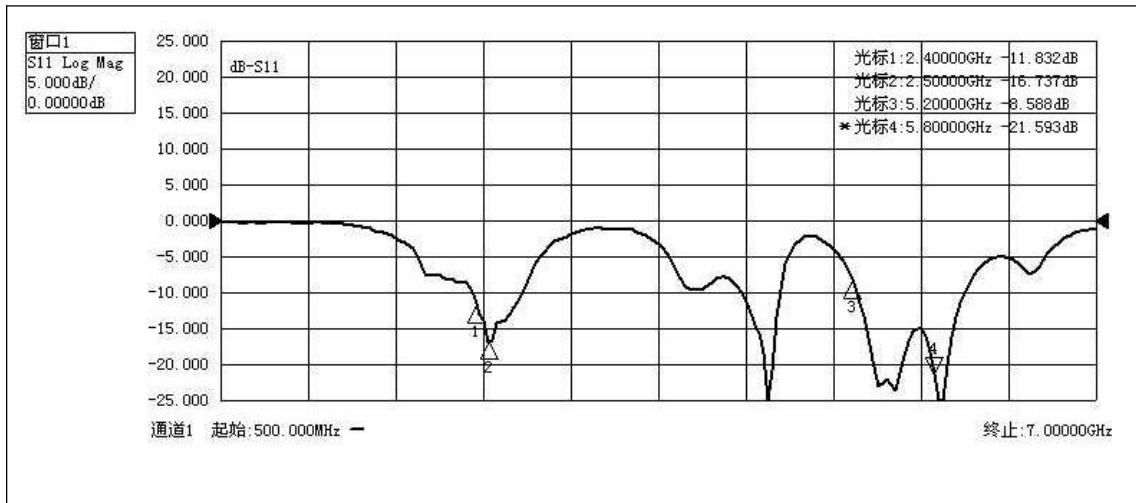




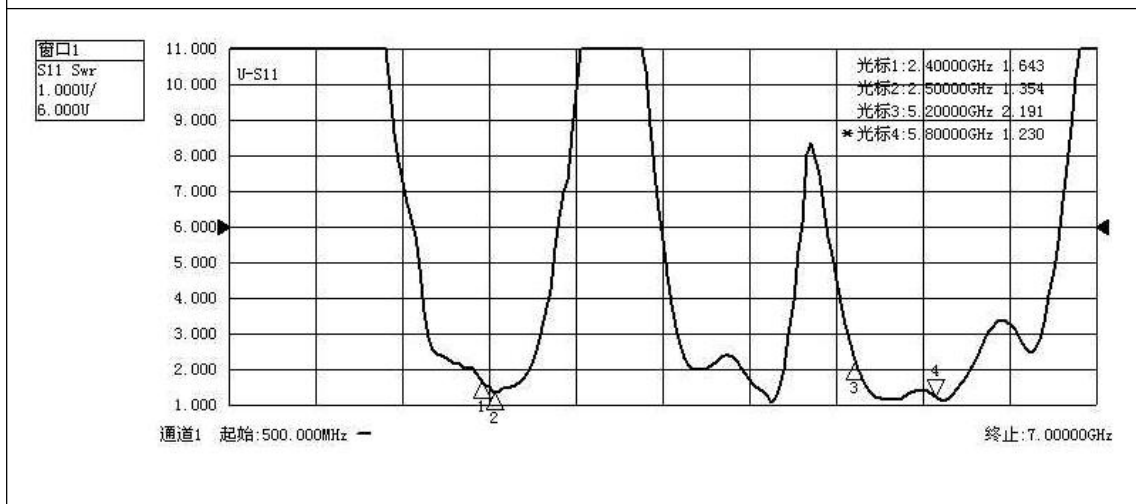
Antenna on Test Board (Thickness 1.0mm)



Antenna S11 on Test Board

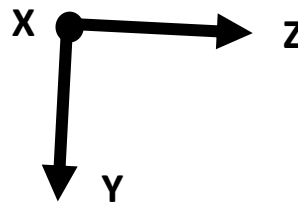
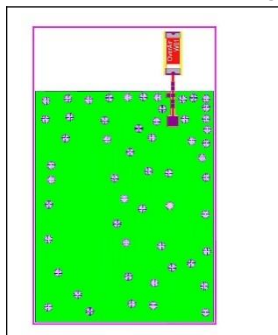


Antenna VSWR on Test Board



Efficiency and RADIATION PATTERN

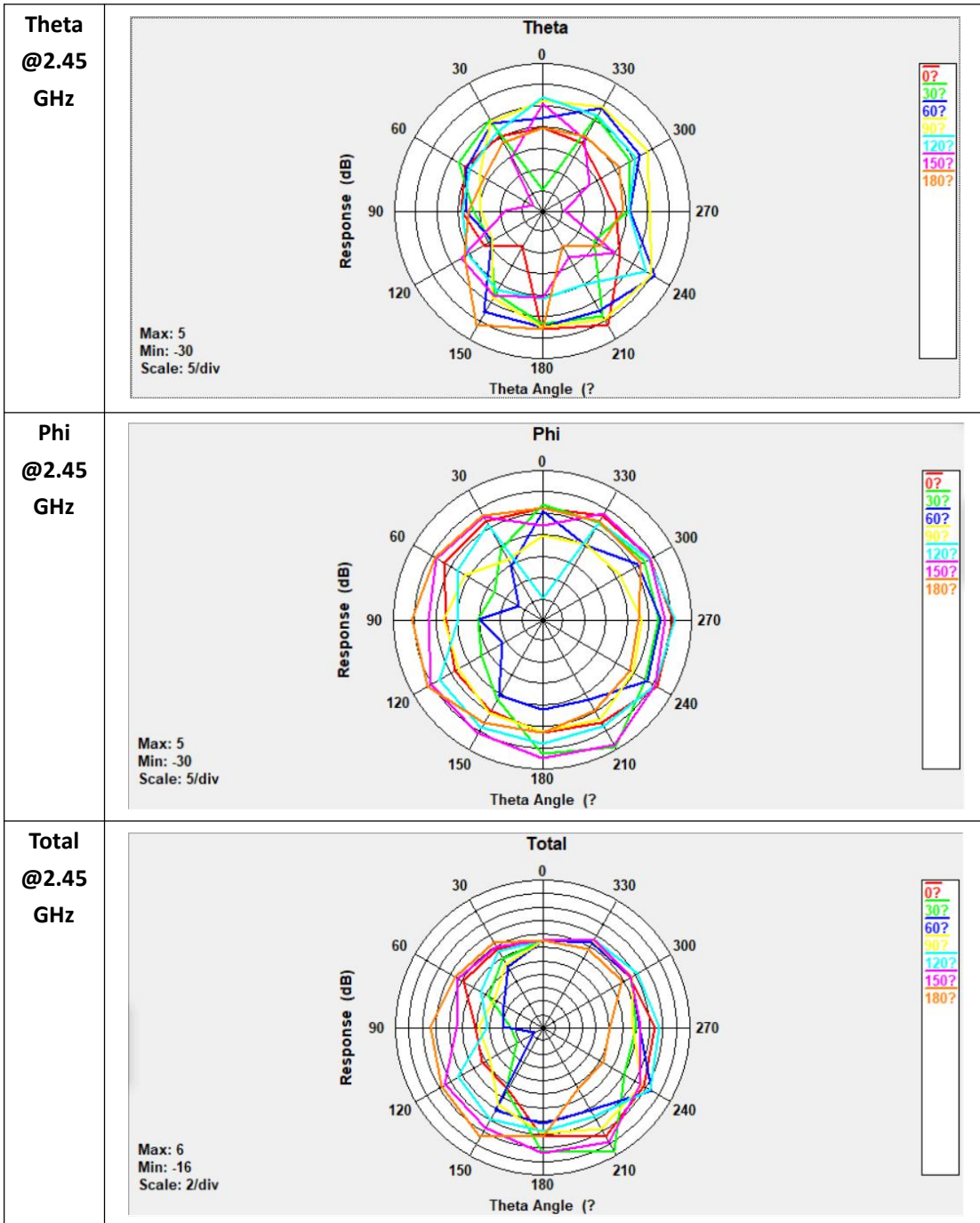
Efficiency, Radiation Pattern and Gain were dependent on measurement board design. The specification of CA-C03 antenna was measured based on the PCB size and installation position as shown in the below figure test board. The test results were tested in ETS 3D Chamber.



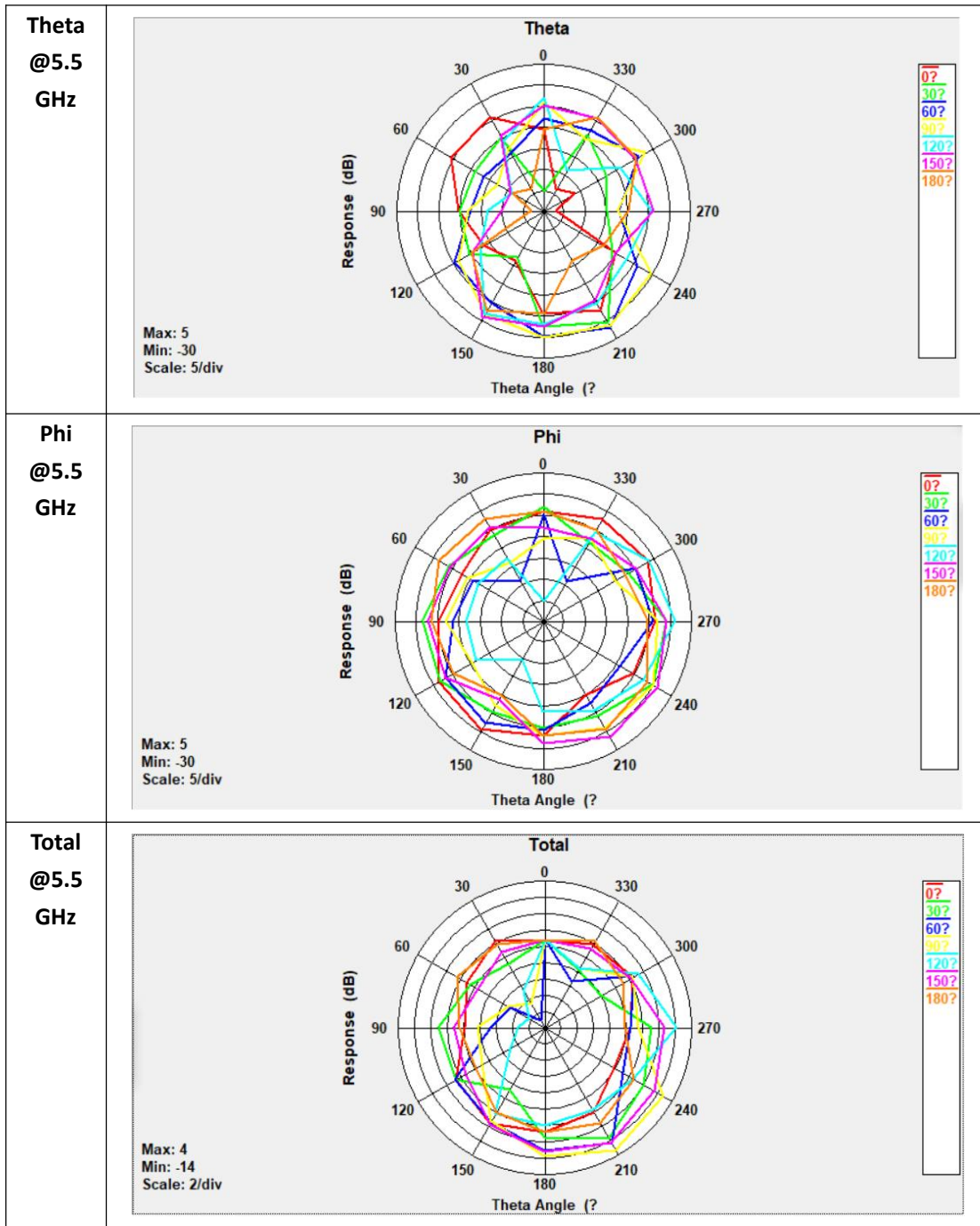
Gain and Efficiency	2.4G-2.5GHz	5.2G-5.8GHz
Peak Gain	3.3dBi	1.0
Average Gain across the band	3.0dBi	0.48
Gain Range across the band	2.6dBi~3.3dBi	-0.7dBi~1.0dBi
Peak Efficiency	73.3%	54.5%

Approval sheet

Average Efficiency across the band	68.4%	42.2%
Efficiency Range across the band	63.8%~73.3%	32.4%~54.5%

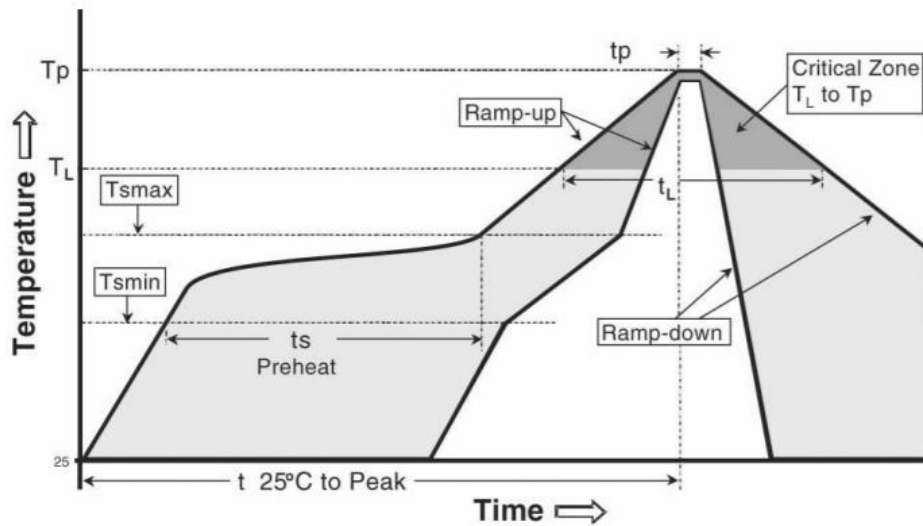


Approval sheet



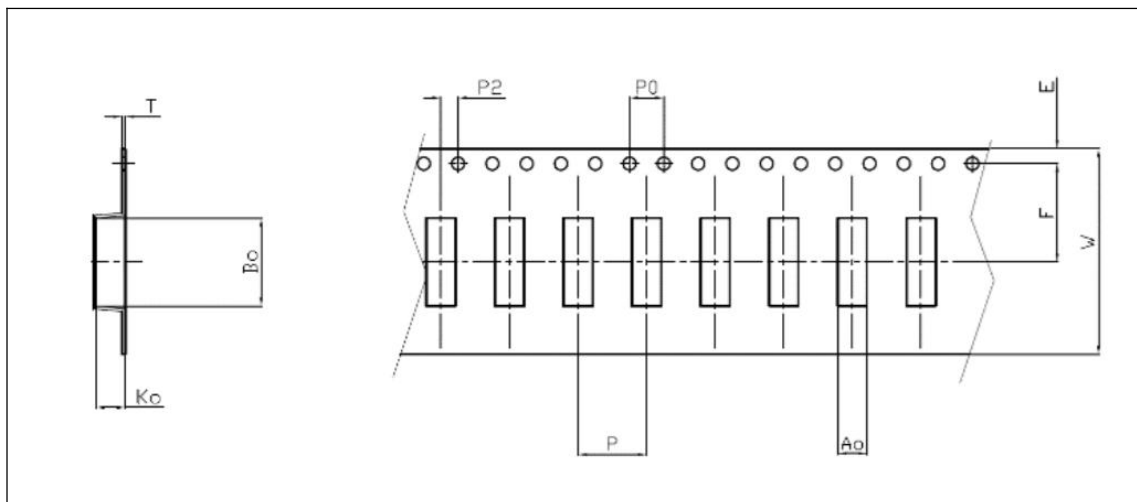
SOLDERING CONDITION

Typical examples of soldering processes that provide reliable joints without any damage is as follows:



Phase	Profile features	Pb-Free assembly (SnAgCu)
RAMP-UP	Avg. Ramp-up Rate (Tsmax to Tp)	3 °C / second (max.)
PREHEAT	- Temperature Min (Tsmmin) - Temperature Max (Tsmax) - Time (tsmin to tsmax)	150 °C 200 °C 60-180 seconds
REFLOW	- Temperature (T _L) - Total Time above T _L (t _L)	217 °C 60-150 seconds
PEAK	- Temperature (T _p) - Time (t _p)	260 °C 20-40 seconds
RAMP-DOWN	Rate	6 °C/second max
Time from 25 °C to Peak Temperature		8 minutes max

PACKAGING

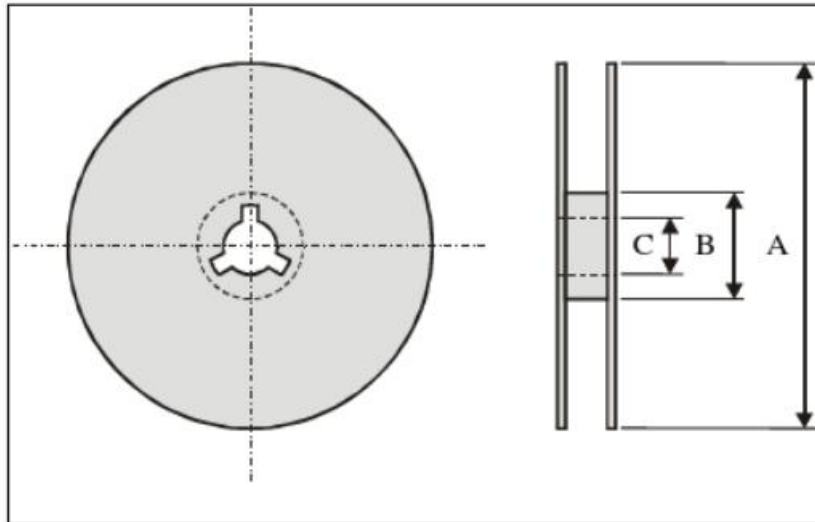


Plastic Tape specification (unit:mm)

Approval sheet

Index	Ao	Bo	ΦD	T	W
Dimension (mm)	3.3±0.1	8.4±0.1	1.3±0.05	0.3±0.05	16.0±0.3
Index	E	F	Po	P1	P2
Dimension (mm)	1.75±0.1	7.0±0.1	8.0±0.1	4.0±0.1	2.0±0.1

Reel dimensions



Index	A	B	C
Dimension(mm)	330	100	13.5

Typing Quantity: 2000 pieces per reel.

CAUTION OF HANDLING

Storage environment condition

Products should be storage in the warehouse on the following conditions:

Temperature : -10℃~+40℃

Humidity : 30% to 70% relative humidity

Don't keep products in corrosive gases such as sulfur. Chlorine gas or acid or it may cause oxidization of electrode, resulting in poor solderability.

Products should be storage on the palette for the prevention of the influence from humidity, dust and so on.

Products should be storage in the warehouse without heat shock, vibration, direct sunlight and so on.

Products should be storage under the airtight packaged condition.