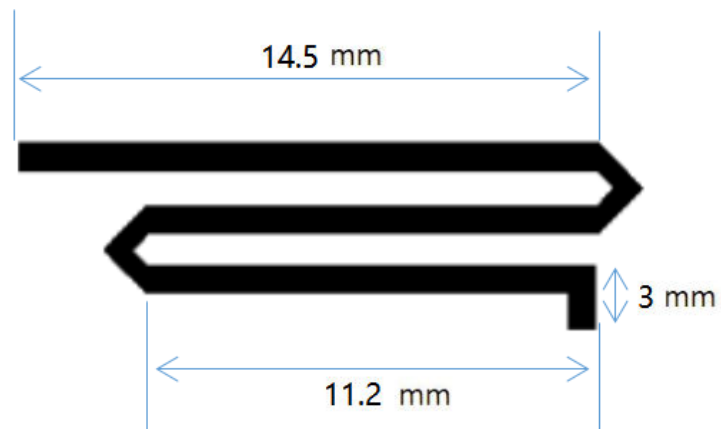


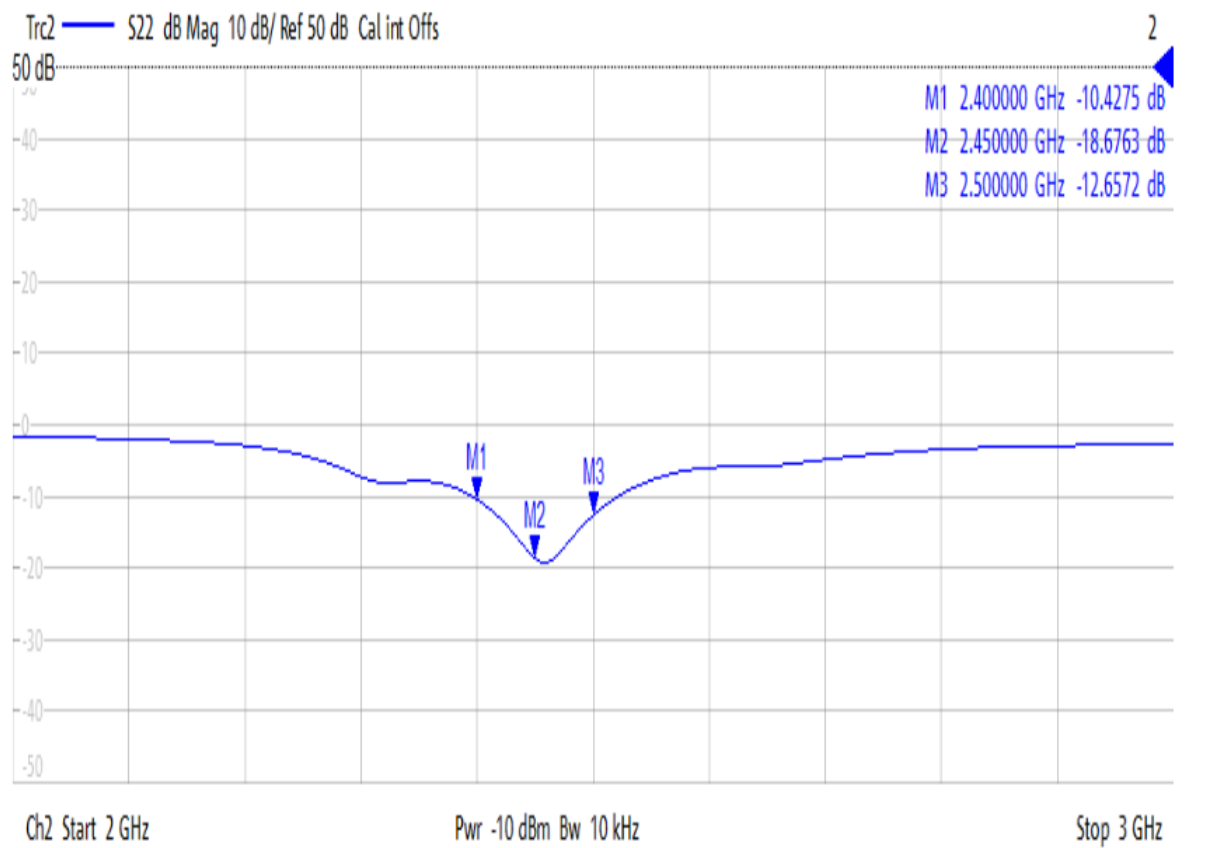
Antenna Specification

Model/Part No.: HE-PCB-ANT-2.4G

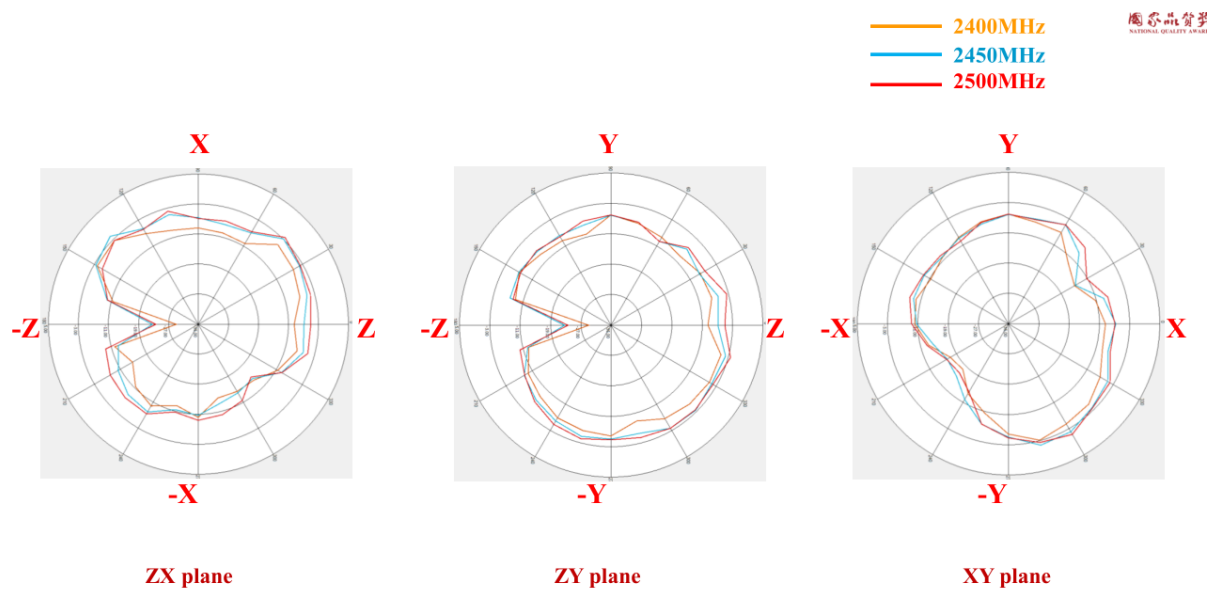
一 Antenna Type: PCB Antenna



二 .Return Loss



三. 2D Radiation Patterns



Frequency	XZ-Plane		YZ-Plane		XY-Plane	
	Max.Value (dB)	Ave. Value (dB)	Max.Value (dB)	Ave. Value (dB)	Max.Value (dB)	Ave. Value (dB)
2400	-3.3	-9.21	-5.95	-9.87	-3.11	-9.52
2450	-1.79	-6.72	-5.68	-8.42	-1.77	-8.19
2500	-2.17	-6.63	-3.32	-8.02	-0.65	-7.83