



© Copyright 2021 Eve Distribution, Ltd.

Bluetooth is a trademark owned by its proprietor and used by Eve under license. Intel and Thunderbolt are trademarks of Intel Corporation or its subsidiaries in the U.S. and/or other countries. Windows is a registered trademark of Microsoft Corporation in the United States and/or other countries. USB Type-C® and USB-C® are registered trademarks of USB Implementers Forum. DisplayPort™, the DisplayPort™ logo, and VESA® are trademarks owned by the Video Electronics Standards Association (VESA) in the United States and other countries.

The information contained herein is subject to change without notice. The only warranties for Eve products and services are set forth in the express warranty statements accompanying such products and services. Nothing herein should be construed as constituting an additional warranty. Eve shall not be liable for technical or editorial errors or omissions contained herein.

First Edition: September 2021

ABOUT THIS MANUAL

This manual provides information on device features, setting up the device, and technical specifications.



CAUTION: Indicates a hazardous situation that, if not avoided, could result in death or injury.



IMPORTANT: Indicates information considered important but not hazard-related (for example, messages related to property damage). A notice alerts the user that failure to follow a procedure exactly as described could result in loss of data or in damage to hardware or software. Also contains essential information to explain a concept or to complete a task.



NOTE: Contains additional information to emphasize or supplement important points of the main text or provides helpful hints for completing a task.

TABLE OF CONTENTS

About this manual.....	3
Table of contents	4
Getting started.....	6
Important safety information	6
About the V	7
Features	7
Front components	8
Bottom components	8
Rear components	9
Top components	9
Left components.....	10
Right components	11
Setting up your V	12
Using the kickstand.....	12
Using a SIM card	12
Using the on-screen keyboard.....	13
Windows Hello.....	13
Connectivity	14
USB devices.....	14
Video display devices	14
Thunderbolt devices.....	14
One-cable solution	15
Audio devices.....	15
WiFi networks	16
Bluetooth devices	17
Satellite navigation networks.....	18
The V Keyboard.....	19
Attaching / detaching.....	19
Special keys	20
Touchpad components.....	21
The V Pen	22
Buttons and features.....	22
Battery replacement.....	23
Support and troubleshooting.....	24
Troubleshooting features.....	24
Contacting support	24
Shipping.....	24
Disposal	24
Technical specifications.....	25
Display.....	25

Software.....	26
Performance	26
Connectivity	27
Sound.....	27
Features	28
V Keyboard.....	28
V Pen	28
Size and weight.....	29
Limited Warranty	29
In the box.....	29

GETTING STARTED

IMPORTANT SAFETY INFORMATION

Plug the power adapter into an AC outlet that is always easily accessible. Disconnect the adapter by grasping the plug firmly and pulling it from the AC outlet. Never disconnect the adapter by pulling the cord.

Be sure that the total ampere rating of the products connected to the AC outlet does not exceed the current rating of the outlet, and that the total ampere rating of the products connected to the cord does not exceed the rating of the cord. Also, make sure that the total rating of all products plugged into the wall outlet does not exceed the fuse rating. Look on the power label to determine the ampere rating (AMPS or A) for each device.

Slots and openings in the housing are provided for ventilation. These openings must not be blocked or covered. Never push objects of any kind into cabinet slots or other openings, or spill liquid of any kind onto or into the product.

Keep the device in a well-ventilated area, away from excessive light, heat, or moisture.

Do not use the device in any area with a potentially explosive atmosphere, as sparks in such areas could cause an explosion or fire. Such areas are often (but not always) marked and include areas where you would normally be advised to turn off your vehicle engine, below deck on boats, chemical transfer or storage facilities, vehicles using liquefied gas such as propane or butane, and areas where the air contains chemicals or particles such as grain, dust, or metal powders.

To reduce the risk of serious injury, observe proper workstation setup, and proper posture, health, and work habits for computer users.

Do not place anything on power cords or cables. Care should be taken to route or arrange all cords and cables connected to the V so that they cannot be pulled, grabbed, stepped on, or tripped over.

Do not drop the device or place it on an unstable or vibrating surface. Use the appropriate and correctly sized furniture designed to properly support your Eve V. Devices that are inappropriately situated on dressers, bookcases, shelves, desks, speakers, chests, or carts may fall over and cause damage or personal injury.

ABOUT THE V

At Eve, we believe in putting product decisions in the hands of the end-user. Back in 2016, we joined forces with hardcore gamers, coders, and designers to create the world's first crowd-developed 2-in-1 computer. Now we are carrying on our vision of crowd-development with a community that has grown to over 12 000 tech enthusiasts from all over the world, united by a passion to develop cutting-edge technology. We combined their thoughts and ideas with feedback from thousands of customers into this new and improved second-generation device you now so proudly own. It's not just any 2-in-1: It's the V.

As a result, your device has a unique blend of awesome features. Let's have a look!

FEATURES

The V has an indium-gallium-zinc-oxide (IGZO) display that produces rich on-screen colors and offers great viewing angles. This screen is paired with a metal mesh touch layer for precise and responsive touch- and pen input.

The V is wrapped in a housing of precisely machined aluminum that has been anodized for a smooth, durable finish. The screen is covered in Gorilla Glass Victus and has a micro-texture surface to provide glare reduction that does not rub off.

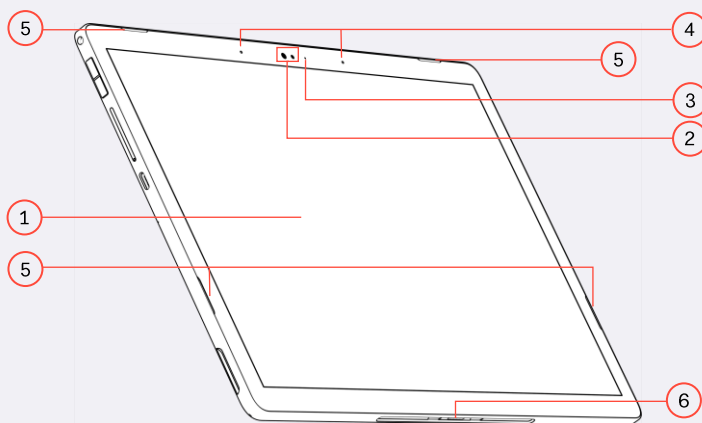
The V is powered by Intel's 11th Generation Core CPUs and Intel's new Iris X^e graphics adapter, making it compatible with a wide range of apps and games, and providing great performance in a small package.

The V offers a wide range of ports and supports several wireless protocols, so that you can stay connected no matter where you are. With Thunderbolt 4, Bluetooth 5.0, and WiFi 6 you don't have to worry about speed.



NOTE: All specifications referenced are typical and provided by Eve's component manufacturers. Actual performance might vary either higher or lower.

You can find more detailed information in the Technical Specifications section on page 25.

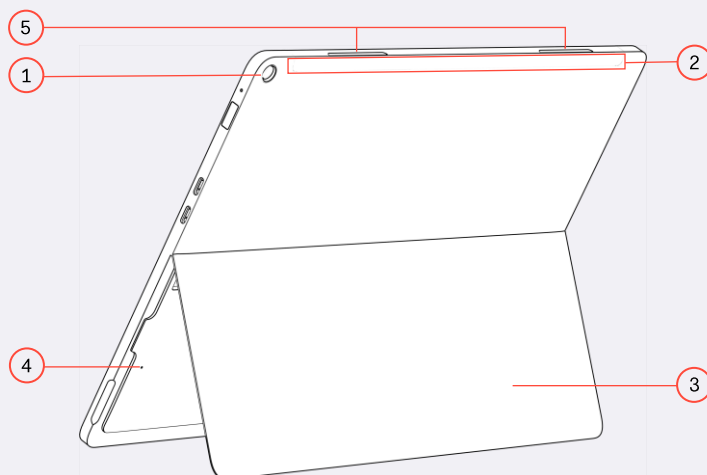


FRONT COMPONENTS

Component	Description
1 Screen	Displays your apps, games and content. Takes up to 10 simultaneous touch inputs and is compatible with Wacom AES pen input.
2 Front camera	Allows you to video chat, record video, and record still images. Allows a facial recognition logon to Windows, instead of a password login.
3 Camera light	On: The front camera is in use.
4 Microphone array	Record sound.
5 Speakers	Produce sound.

BOTTOM COMPONENTS

Component	Description
6 Keyboard connector	Connects the V to the V Keyboard.

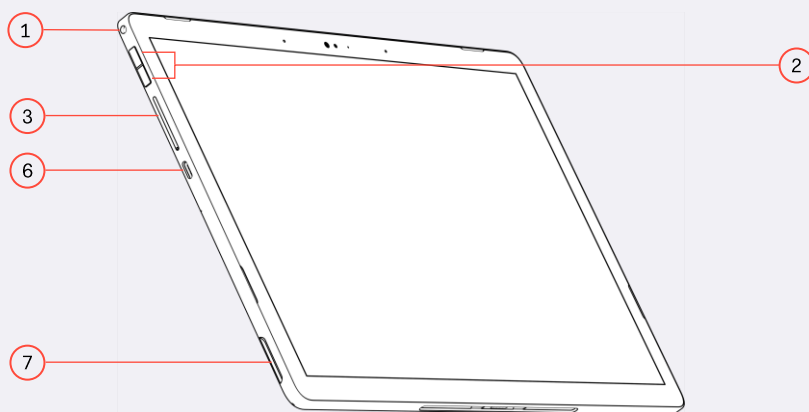


REAR COMPONENTS

Component	Description
1 Rear camera	Allows you to record video and record still images.
2 Antennas	Send and receive wireless signals to communicate with wireless local area networks (WLANs) or cellular networks (select models only). The antennas are not visible from the outside of the device. For optimal transmission, keep the areas immediately around the antennas free from obstructions.
3 Kickstand	Changes the angle of the display.
4 Battery reset switch	Press to temporarily disconnect the built-in battery. This will directly turn off the device and may result in the loss of unsaved information. The switch is located under the kickstand.

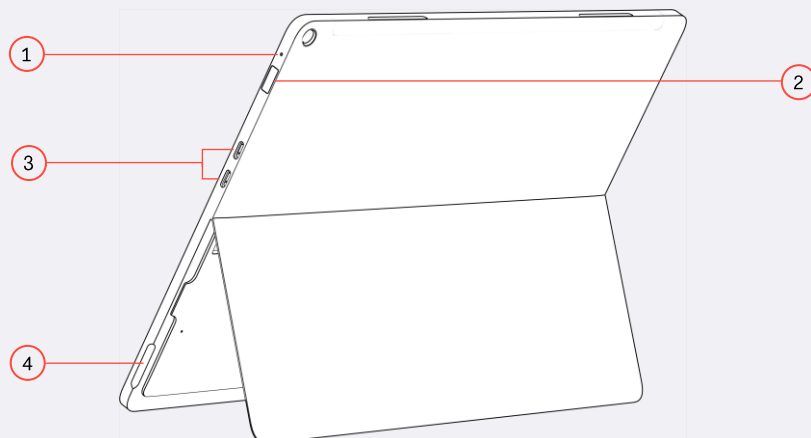
TOP COMPONENTS

Component	Description
5 Vents	Enable airflow to cool internal components.



LEFT COMPONENTS

Component	Description
1 Audio-out jack	Connects stereo speakers, headphones, or another audio output device. When a device is connected to the jack, the built-in speakers are disabled.
2 Volume buttons	Controls speaker volume.
3 SIM/SD card tray	Provides access to the SD card slot. Provides access to the SIM card slot (select models only).
4 SIM card slot	Supports a wireless nano subscriber identity module (nano-SIM) card (select models only).
5 SD card slot	Supports a micro-SD card.
6 USB Type-C SuperSpeed port	Connect an AC adapter that has a USB Type-C connector, supplying power to the device and, if needed, charging the built-in battery. Connect a peripheral device, such as a keyboard, mouse, or USB hard drive. Connect a display device that has a USB Type-C connector, providing DisplayPort output.
7 Finger well	Allows for easy opening of the kickstand.



RIGHT COMPONENTS

Component	Description
1 Indicator light	<p>On brightly: The device is on.</p> <p>On dimly: The device is in a power-saving state.</p> <p>Off: The device is off or in Hibernation.</p>
2 Power button with fingerprint reader	<p>When the device is off, press the button briefly to turn on the device.</p> <p>When the device is on, press the button briefly to initiate Sleep.</p> <p>When the device is in Sleep or Hibernation state, press the button briefly exit Sleep or Hibernation.</p> <p>Pressing and holding down the power button will directly turn off the device and may result in the loss of unsaved information.</p> <p>Touching a fingertip on the button without pressing it, activates the built-in fingerprint reader. This allows a fingerprint logon to Windows, instead of a password logon.</p>
3 USB Type-C Thunderbolt ports	<p>Connect an AC adapter that has a USB Type-C connector, supplying power to the device and, if needed, charging the built-in battery.</p> <p>Connect a docking station, external graphics adapter (eGPU), or other Thunderbolt accessory.</p> <p>Connect a peripheral device, such as a keyboard, mouse, or USB hard drive.</p> <p>Connect a display device that has a USB Type-C connector, providing DisplayPort output.</p>
4 Finger well	Allows for easy opening of the kickstand.

SETTING UP YOUR V

USING THE KICKSTAND

To change the angle for the display, follow these steps:

1. Hold the device with the top edge up.
2. Slide the kickstand away from the device and position the kickstand at the appropriate angle. The kickstand will hold at any angle up to about 170°.
3. To close the kickstand, push the kickstand against the bottom of the device until it is flush with the bottom.

USING A SIM CARD

To connect to a cellular network, a nano SIM card is required.


1. Position the V display-side up on a flat surface.
2. Insert the card tray removal tool or a small, straightened paper clip into the card tray access hole.
3. Press the tool or clip in gently until the card tray is ejected, and remove the tray from the V.
4. To install a SIM card, insert it into the tray as shown. To remove a SIM card, lift it from the tray.
5. Replace the tray in the V. Press in gently on the tray until it is firmly seated.



IMPORTANT: You can damage the SIM card if you insert the wrong size card or insert it or the SIM card tray in the wrong direction. The card might also become stuck in the slot. Do not use SIM card adapters. To prevent damage to the SIM card or connectors, use minimal force when inserting or removing a SIM card.



NOTE: 4G/LTE cellular network connectivity and the SIM card slot are available on select models only.

NOTE: You can disable all wireless devices in the V, including cellular, by enabling airplane mode. This can be done from the Windows Action Center, or by pressing the  key on the V Keyboard. Pressing the key again, de-activated airplane mode and allows wireless connections once more.

USING THE ON-SCREEN KEYBOARD

These instructions help you learn to use the on-screen keyboard.

1. To display an on-screen keyboard, tap the keyboard icon in the notification area, at the far right of the taskbar.
2. Begin typing.



NOTE: Suggested words might be displayed above the on-screen keyboard. Tap a word to select it.

WINDOWS HELLO



Windows Hello allows you to enroll your fingerprint and your facial ID, and set up a PIN. After enrollment, you can use your fingerprint reader, facial ID, or PIN to sign in to Windows.

To set up Windows Hello:

1. Select the Start button, select Settings, select Accounts, and then select Sign-in options.
2. To add a password, select Password, and then select Add.
3. Under Windows Hello Fingerprint or Windows Hello Face, select Set up.
4. Select Get Started, and then follow the on-screen instructions to enroll your fingerprint or facial ID and set up a PIN.



IMPORTANT: To prevent fingerprint logon issues, be sure when you register your fingerprint that all sides of your finger are registered by the fingerprint reader.



NOTE: The PIN is not limited in length. The default setting is for numbers only. To include alphabetic or special characters, select the include letters and symbols check box.

CONNECTIVITY

USB DEVICES

You can use any of the three USB Type-C ports to connect devices such as a mouse, keyboard, phone, external hard drive, and practically anything that is USB-connected and can accept 5V.



NOTE: The port on the left side of the device supports SuperSpeed USB devices with speeds up to 10Gbps. The two ports on the right side of the device supports USB4 devices with speeds of up to 40Gbps.

VIDEO DISPLAY DEVICES

You can use any of the three USB Type-C ports to connect display devices such as a monitor by connecting one end of a USB Type-C cable to the USB Type-C connector on the monitor and the other end to one of the USB Type-C connectors on the V.



NOTE: It is possible to adapt the USB Type-C port to DisplayPort or HDMI, allowing connection to a wider range of devices. The port on the left side of the device supports DisplayPort 1.2 devices. The two ports on the right side of the device supports DisplayPort 1.4 and HDMI 1.4b devices. Additional connections may be possible using active signal adapters.

NOTE: You can press Win + P to select from four display states:

- *PC screen only: View the screen image on the computer only.*
- *Duplicate: View the screen image simultaneously on both the computer and external device.*
- *Extend: View the screen image extended across both the computer and external device.*
- *Second screen only: View the screen image on the external device only.*

For best results, especially if you choose the Extend option, increase the screen resolution of the external device, as follows. Select the Start button, select Settings, and then select System. Under Display, select the appropriate resolution, and then select Keep changes.

THUNDERBOLT DEVICES

You can use either of the two USB Type-C ports on the right side of the device to connect Thunderbolt devices such as monitors, external graphics adapters, and high-speed storage.

ONE-CABLE SOLUTION

If your monitor or docking station support these features, then you can attach the V to the monitor or dock with a single USB Type-C cable. This USB Type-C cable then provides connectivity for high-speed data, audio and video, as well as charging the V.

- If your monitor or dock connects through USB: Connect one end of a USB Type-C cable to any of the Type-C ports on the V and the other end to the USB Type-C port on the monitor or docking station.
- If your monitor or dock connects through Thunderbolt: Connect one end of a Type-C Thunderbolt cable to either of the two USB Type-C ports on the right side of the V and the other end to the Thunderbolt port on the monitor or docking station.



CAUTION: Use only USB Type-C cables that are rated for up to at least 60W of power delivery. The use of inappropriate cables could represent a fire hazard. Charging at high power can cause high temperatures, consult the documentation that came with your charging device about fire safety.



IMPORTANT: The monitor or docking station must be able to support the USB Power Delivery protocol over the USB Type-C connector to charge or power the V.

IMPORTANT: The monitor must be able to support DisplayPort Alternate Mode over the USB Type-C connector to display an image signal from the V.

AUDIO DEVICES

Though the V has four built-in speakers, it also has a built-in digital-to-analog converter (DAC) and headphone amplifier that can be used to connect external audio devices such as wired speakers or headphones. Connect the 3.5mm audio jack plug to the audio port on the left side of the V to make use of your speakers, headphones, or other audio device.



CAUTION: To reduce the risk of personal injury, adjust the V's volume before using headphones, earbuds, or a headset. Gradually increase the volume until you can hear it clearly, comfortably and without distortion. Limit the amount of time you are subjected to high-volume sound.



NOTE: To connect wireless speakers to your computer, follow the device manufacturer's instructions.

WIFI NETWORKS

The V can connect to wireless local area networks (commonly referred to as Wi-Fi networks, wireless LANs, or WLANs) in corporate offices, your home, and public places such as airports, restaurants, coffee shops, hotels, and universities. In a WLAN, the mobile wireless device in your V communicates with a wireless router or a wireless access point. These networks are a common method of gaining access to the Internet.


To connect to a Wi-Fi network:

1. Be sure that the WLAN device is on.
2. On the taskbar, select the network status icon, and then connect to one of the available networks.
3. If you select a security-enabled WLAN, you are prompted to enter a security code. Enter the code, and then select Next to complete the connection.



NOTE: If no WLANs are listed, you might be out of range of a wireless router or access point. The functional range (how far your wireless signals travel) depends on WLAN implementation, router manufacturer, and interference from other electronic devices or structural barriers such as walls and floors.

NOTE: The Network and Sharing Center allows you to set up a connection or network, connect to an existing network, and diagnose and repair network problems. Select the Start button, select Settings, and then select Network & Internet.

NOTE: You can disable all wireless devices in the V, including Wi-Fi, by enabling airplane mode. This can be done from the Windows Action Center, or by pressing the  key on the V Keyboard. Pressing the key again, de-activated airplane mode and allows wireless connections once more.

BLUETOOTH DEVICES

Bluetooth allows the V to create a personal area network (PAN) to connect to other Bluetooth-enabled devices such as computers, phones, printers, headsets, speakers, and cameras. In a PAN, each device communicates directly with other devices, and devices must be relatively close together—typically within 10 m (approximately 33 ft) of each other.


To connect a Bluetooth device:

1. Select the Start button, select Settings, and then select Devices.
2. Turn on Bluetooth, if it is not already turned on.
3. Select Add Bluetooth or other device, and then in the Add a device dialog box, select Bluetooth.
4. Select your device from the list, and then follow the on-screen instructions.



NOTE: If the device requires verification, a pairing code is displayed. On the device that you are adding, follow the on-screen instructions to verify that the code on your device matches the pairing code. For more information, see the documentation provided with the device.

NOTE: If your device does not appear in the list, be sure that Bluetooth is turned on for that device. Some devices might have additional requirements; see the documentation provided with the device

NOTE: You can disable all wireless devices in the V, including Bluetooth, by enabling airplane mode. This can be done from the Windows Action Center, or by pressing the  key on the V Keyboard. Pressing the key again, de-activated airplane mode and allows wireless connections once more.

SATELLITE NAVIGATION NETWORKS

Select models of the V are equipped with a Global Navigation Satellite System (GNSS) device. GNSS satellites in the Global Positioning System (GPS) and similar networks deliver location, speed, and direction information to GNSS-equipped systems.

To enable connection to a satellite navigation network:

To enable GPS, be sure that location is enabled under the Windows privacy setting.

1. Select the Start button, select Settings, select Privacy, and then select Location.
2. Follow the on-screen instructions for using location settings.



NOTE: GNSS network connectivity is available on select models only.

NOTE: You can disable all wireless devices in the V, including satellite navigation, by enabling airplane mode. This can be done from the Windows Action Center, or by pressing the ✈️ key on the V Keyboard. Pressing the key again, de-activated airplane mode and allows wireless connections once more.

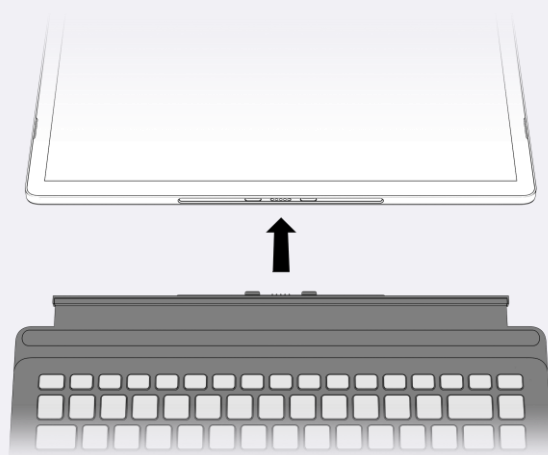
THE V KEYBOARD

The V Keyboard turns the V from a tablet into a laptop computer, and can serve as a protective cover for the screen.



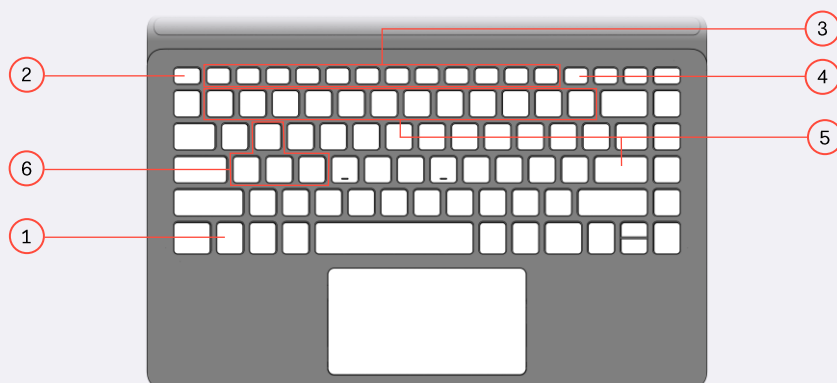
NOTE: The Eve V Keyboard (model EV0565D) is sold separately.

ATTACHING / DETACHING



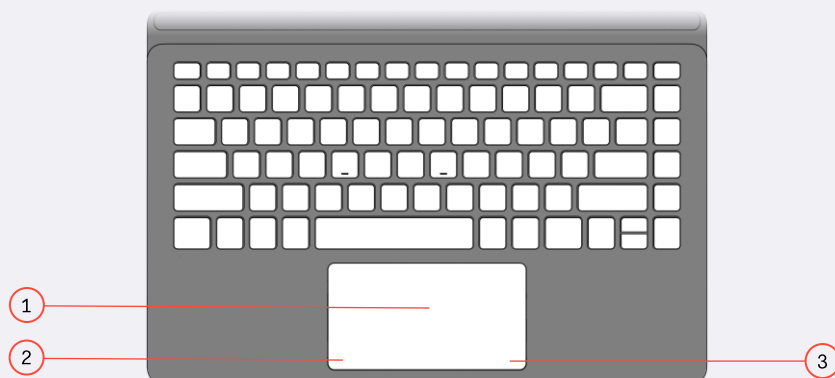
1. To connect the keyboard, lower the tablet onto the keyboard until the connectors click into place.
2. To remove the keyboard, pull the tablet away from the back of the keyboard.

SPECIAL KEYS



Component	Description
1 fn key	Alters the function of other keys on the keyboard.
2 Esc key	When pressed in combination with the fn key, alters the default behavior of the top row keys between hotkeys (functions depicted by icons) or function keys (F1 through F12).
3 ✱ / F1 key	Decrease display brightness
✱ / F2 key	Increase display brightness
✈ / F3 key	Enable / disable airplane mode
■ / F4 key	Enable / disable touchpad
☂ / F5 key	Decrease keyboard backlight brightness
☂ / F6 key	Increase keyboard backlight brightness
⏮ / F7 key	Return media to previous track
⏸ / F8 key	Play / pause media
⏭ / F9 key	Skip media to next track
🔇 / F10 key	Mute volume
🔊 / F11 key	Decrease volume
🔊 / F12 key	Increase volume
4 prtsc key	When pressed in combination with the fn key, activates Windows Snip & Sketch.
5 number, -, +, enter keys	When pressed in combination with the fn key, functions as the key's equivalent on a numerical keypad.
6 W, A, S, D keys	When pressed in combination with the fn key, functions as the up, left, down, right cursor keys respectively.

TOUCHPAD COMPONENTS



Component	Description
1 Touchpad zone	Reads your finger gestures to move the pointer or activate items on the screen.
2 Bottom left corner	Functions like the left button on an external mouse.
3 Bottom right corner	Functions like the right button on an external mouse.



NOTE: You can adjust touchpad settings in the Windows settings panel (Devices > Touchpad).

The touchpad can be enabled or disabled using the [F4] key.

THE V PEN

With precise pressure and tilt controls, the V Pen lets you control your device, take notes, and create art.



NOTE: The Eve V Pen (model EV0565C) is sold separately.

BUTTONS AND FEATURES



Component	Description
1 Tip	Recognizes 4096 levels of pressure and tilt angle to precisely control the pointer. Tapping the screen functions like the equivalent of left-clicking on an external mouse.
2 Bottom barrel button	Turns the tip into the equivalent of an eraser tool in supported software.
3 Top barrel button	Turns the tip into the equivalent of right-clicking on an external mouse.
4 Clip	Keeps the pen from falling from a document or pocket.
5 Rear cap	Closes off the battery compartment.



NOTE: You can adjust pen settings in the Windows settings panel (Devices > Pen & Windows Ink).

NOTE: Additional settings for the V Pen, such as pressure sensitivity adjustment, reassignment of button functions, and battery level monitoring, are available using the optional Wacom Feel Driver.

You can download the latest version of this driver from the Wacom website at <https://us.wacom.com/en/feeldriver>.

BATTERY REPLACEMENT

The V Pen is an active stylus and requires a single AAAA battery to function.

1. To access the battery compartment, screw the rear cap counterclockwise to loosen and remove it.
2. Insert the battery in the proper orientation.
3. Tighten the rear cap clockwise.

SUPPORT AND TROUBLESHOOTING

TROUBLESHOOTING FEATURES

In the event of an issue that requires access to the Task Manager, the key combination Ctrl + Alt + Delete can be simulated by pressing both the Volume Up and Volume Down buttons on the device simultaneously.

In the event of an issue that requires the device to be fully powered down, inserting the card tray removal tool or a small, straightened paper clip into the battery reset hole underneath the kickstand and pressing gently will temporarily disconnect the built-in battery from the rest of the device.

CONTACTING SUPPORT

If you cannot solve a problem through troubleshooting, you may need to contact technical support. Have the following information available when you contact Eve:

- Device model number
- Device serial number
- Purchase date on invoice
- Conditions under which the problem occurred
- Any error messages received
- Your hardware configuration
- Name and version of the software you are using

Go to <https://evedevices.com/pages/support>. Use this site to contact Eve and open a support case.

SHIPPING

Keep the original packing box in a storage area. You may need it later if you wish to move or ship the monitor.

DISPOSAL



The V was built to bring you joy for years to come. Should the day come that it is time to discard it, do not throw this electronic device into the trash. To minimize pollution and ensure the protection of our global environment, please recycle. Thank you for doing your part to keep our planet safe!

TECHNICAL SPECIFICATIONS

For the latest specifications or additional specifications on this product, go to <https://evedevices.com/pages/eve-v-2021-tech-specifications> and search for your specific monitor model.



NOTE: All specifications represent the typical specifications provided by Eve's component manufacturers; actual performance may vary either higher or lower.

DISPLAY

SIZE

monitor size	13.4" (diagonal)
display area	288×180mm
aspect ratio	16 : 10

IMAGE QUALITY

native resolution	3840×2400 pixels WQUXGA/4K UHD+
pixel pitch	0.075mm
pixel density	339ppi
brightness	400cd/m ² typical
HDR	HDR10 Media Profile
displayable colors	1.07 billion
color gamut	90% DCI-P3 100% sRGB
color depth	10-bit (8-bit + A-FRC)
contrast ratio	1500 : 1 typical
viewing angles	178° horizontal, 178° vertical
surface treatment	Edge-to-edge Corning Gorilla Glass Victus with anti-glare microtexture surface

SPEED

response time	30ms (black to white to black)
frequency range	Up to 60Hz
adaptive sync	No

TECHNOLOGY

panel technology	IGZO IPS TFT LCD
backlight technology	LED
backlight dimming	No

SOFTWARE

operating system	Microsoft Windows 10 Pro Bloatware-free
-------------------------	--

PERFORMANCE

processor	11th generation 'Tiger Lake' Intel Core i5-1135G7 or i7-1165G7 4 cores / 8 threads
graphics	Intel Iris Xe Graphics
memory	16GB or 32GB 4266MT/s LPDDR4X, quad-channel
storage	512GB or 1TB NVMe SSD
battery	Rechargeable 41.3Wh lithium-ion polymer
touch-enabled	10-point multi-touch with metal mesh
pen-enabled	Wacom AES 2.0 pen support
sensors	Hall sensor, G-sensor, ambient light sensor

CONNECTIVITY

wireless

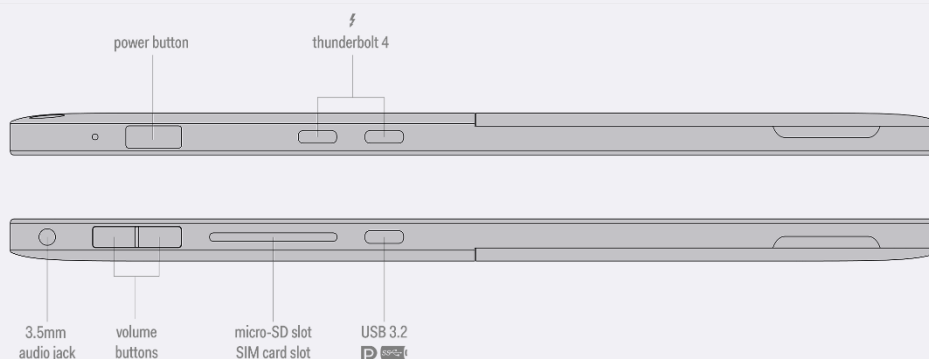
802.11a/b/g/n/ac/ax dual-band WiFi 6

2x2 MU-MIMO

Bluetooth 5.0

4G LTE (up to 150Mbps downlink/50Mbps uplink)(on select models)

GPS, GLONASS, Galileo, BeiDou satellite-based navigation (on select models)



USB4 Type-C with Thunderbolt

2x

USB4 (USB4 Gen 3x2, up to 40Gbps)

Thunderbolt 4 (PCIe 3.0 x4)

DisplayPort 1.4 video output

HDMI 1.4b video output

Power output up to 5V $\overline{\text{---}}$ 3A (15W)

Can charge the device (USB Power Delivery 3.0)

USB 3.2 Type-C

1x

SuperSpeed USB (USB 3.2 Gen 2x1, up to 10Gbps)

DisplayPort 1.2 video output

Power output up to 5V $\overline{\text{---}}$ 3A (15W)

Can charge the device (USB Power Delivery 3.0)

3.5mm audio jack

1x

Analog audio output

Texas Instruments headphone amplifier

card reader

micro-SD, micro-SDHC, micro-SDXC (up to 2TB)

UHS-I (up to 50MB/s)

SIM card slot

Nano-SIM (on select models)

SOUND

speakers

2x 0.7W front-facing high-frequency speakers

2x 1W front-facing low-frequency speakers

microphones

Dual noise canceling microphone array

FEATURES

Windows Hello compatible **fingerprint reader** in power button

Windows Hello compatible 720p **front-facing camera**

5MP rear-facing camera

Anodized **aluminum housing**

Integrated kickstand (stepless adjustment up to 170°)

V KEYBOARD



NOTE: The Eve V Keyboard (EV0565D) is sold separately.

Folio cover for the V with luxurious microfiber fabric finish

Windows Precision **touch pad** with textured glass surface

Keyboard with adjustable **backlight** brightness

V PEN



NOTE: The Eve V Pen (EV0565C) is sold separately.

4096 levels of **pressure sensitivity**

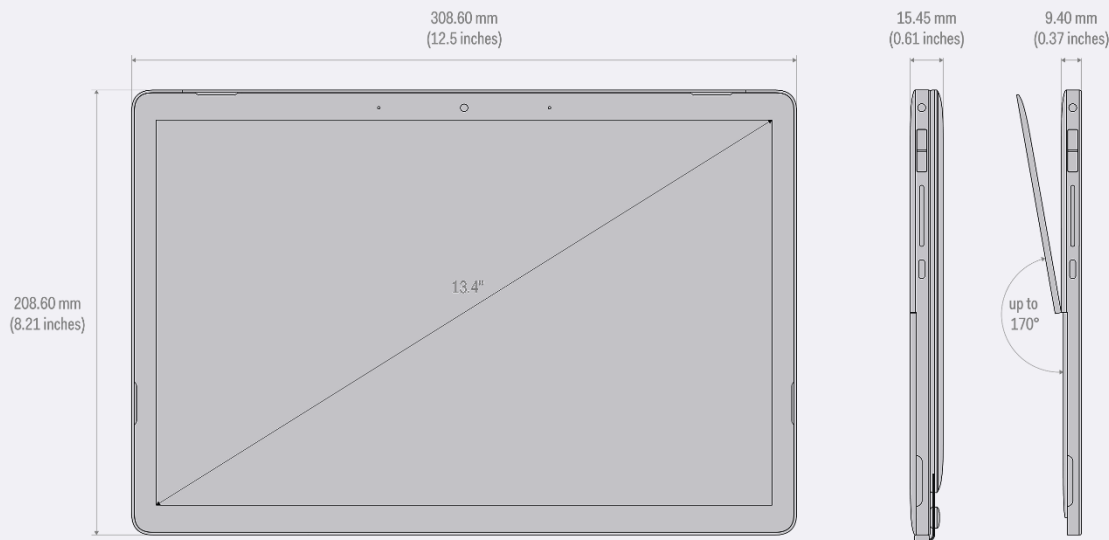
Tilt recognition

Buttons for right-click and eraser function

Compatible with Wacom AES 1.0, AES 2.0

SIZE AND WEIGHT

dimensions (W×H×D)	312×209×9mm without keyboard 312×213×15mm with keyboard
weight	?g without keyboard ?g with keyboard



LIMITED WARRANTY

2 years **limited warranty**

'Zero bright dot' **pixel policy**



NOTE: For warranty details or instructions, please refer to the warranty policy available on <https://evedevices.com>.

IN THE BOX

Eve V

USB-C charger

USB-C charging cable

quick start guide

FCC Caution: Any changes or modifications not expressly approved by the party responsible for compliance could void the user's authority to operate this equipment.

This device complies with Part 15 of the FCC Rules. Operation is subject to the following two conditions:

- (1) This device may not cause harmful interference, and
- (2) this device must accept any interference received, including interference that may cause undesired operation.

This device and its antenna(s) must not be co-located or operating in conjunction with any other antenna or transmitter.

1. This equipment should be installed and operated with minimum distance 20cm between the radiator and your body.
2. The device has been evaluated to meet general RF exposure requirements. The device can be used in portable exposure conditions without restriction.

NOTE:

This equipment has been tested and found to comply with the limits for a Class B digital device, pursuant to Part 15 of the FCC Rules.

These limits are designed to provide reasonable protection against harmful interference in a residential installation. This equipment generates, uses and can radiate radio frequency energy and, if not installed and used in accordance with the instructions, may cause harmful interference to radio communications.

However, there is no guarantee that interference will not occur in a particular installation.

If this equipment does cause harmful interference to radio or television reception, which can be determined by turning the equipment off and on, the user is encouraged to try to correct the interference by one or more of the following measures:

- Reorient or relocate the receiving antenna.
- Increase the separation between the equipment and receiver.
- Connect the equipment into an outlet on a circuit different from that to which the receiver is connected.
- Consult the dealer or an experienced radio/TV technician for help.

Specific absorption rate (SAR):

This 10.5-inch 2-in-1 tablet meets the government's requirements for exposure to radiowaves. The guidelines are based on standards developed by independent scientific organizations through periodic and thorough evaluation of scientific studies. The standards include a margin of safety designed to ensure the safety of all people regardless of their age or health.

The FCC Statement of Exposure to RF and the SAR limit for the United States (FCC) is 1.6 W/kg average for each gram of tissue. This device was tested for typical operations of use on the body, with the back of the tablet at 0mm from the body. To maintain compliance with FCC RF exposure requirements, use accessories that maintain a distance of 0mm between the user's body and the back of the tablet. The use of belt clips, covers and similar accessories must not contain metallic components in their assembly. The use of accessories that do not meet these requirements may not meet FCC RF exposure requirements and should be avoided.

Functioning in the body

This device was tested for typical operations of use in the body. To comply with RF exposure requirements, a minimum separation distance of 0mm must be maintained between the user's body and the telephone, including the antenna. Third-party accessories such as belt clips, covers and similar accessories used with this device should not contain metallic components, accessories that do not meet these RF exposure requirements and should be avoided from use on the body. Use only the supplied antenna or an approved antenna.