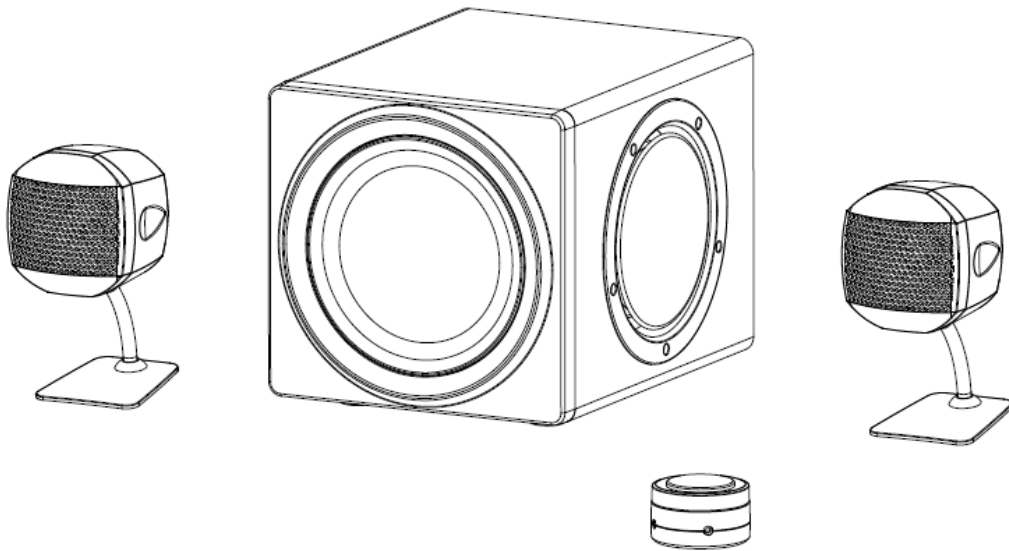


## 2.1 multimedia speaker system

# USER MANUAL

---



■ Thank you very much for purchasing our audio products.

■ In order to enable you to use fully all the functions of this product, please read this instruction carefully and set up correctly. Please keep this manual properly for future problems.

### To users

Thank you very much for your love of our products, before you use this system, please read this manual carefully, if you have any problem, please consult the local dealer or contact directly with our company. Please keep this manual for future reference.

## Features

This system can be connected with PC, mobile phone, DVD, CD, MP3, radio and other devices with audio output, equipped with RCA input socket and  $\phi$  3.5 input socket.

Amplifier circuit adopts high-performance, high-fidelity design, with professional high-quality speakers to make the sound field positioning clear, the effect of distinct layers.

The system sound effect is outstanding, the bass surging shock, the mid tone strong and bright, the treble is clear and sweet.

Professional crossover circuit makes the frequency point of this system more accurate; the effect is better.

This product is suitable for indoor use.

Bluetooth connection distance  $\geq 10$  meters.

## Safety warning

The input mains voltage of the products is 110V. Please pay attention to check whether the mains power in use meets the input requirements!

The power cord should not be squeezed, pulled, bent, knotted, hung heavy, or trampled on. In order to prevent the power cord of the insulating layer being damaged bad lead to electric shock!

To prevent electric shock, fire, explosion and other dangers, please keep the product out of the rain and damp, do not place liquid or inflammable articles around the product.

If the product is not used for a long time, please unplug the power plug to prevent lightning!

## Main technical specifications

Product model: — — — — — SUB-2.1

Output power: — — — — — BASS:30W R/L:15W+15W

Input Sensitivity: — — — — — 200mv

Signal/ Noise: — — — — —  $\geq 80$ dB

Frequency response: — — — — — 20-20KHz  $\pm 3$ dB

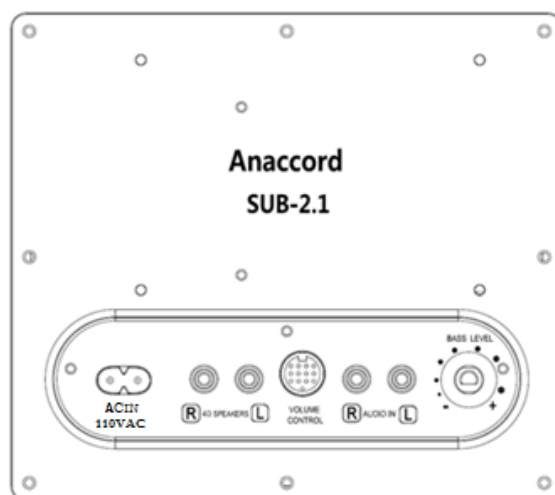
Power supply: — — — — — AC110V/60Hz

The above specifications are prototype technical specifications for reference.

This product is continuously improved and the design specifications and functions may be changed without prior notice.

## Function Description

- ★ In the process of playing or storing, stay away from high temperature, high magnetic field, high frequency interference field.
- ★ Before using this system, plug the left and right channel of satellite speakers in the "4Ω SPEAKERS" position, plug the controller in the "VOLUME CONTROL" position, Plug the AC power cord in the "ACIN" position, and then power on.
- ★ When moving, turn off the internal power , then pull out the plugs of the left and right satellite speakers and controller . Then pull out the mains power input.



## Description of touch function

- (1) After power-on, the controller indicator lights on, into the standby mode;
- (2) Press the touch surface on controller for 2 seconds to let go and turn on. Then goes into Bluetooth mode and waiting to pair with other Bluetooth devices.
- (3) In Bluetooth play mode, press the Touch surface to control the pause or play of the Bluetooth device's player
- (4) In AUX or AUDIO input play mode, tap and press the touch surface to mute or unmute the device.
- (5) Press the touch surface on controller for 2 seconds to let go and turn off. The whole system goes into the standby mode.

### Touch surface

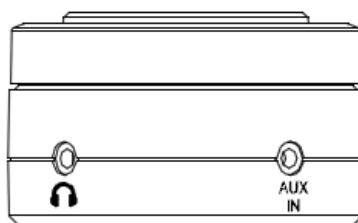


## Wireless Bluetooth Usage Description

- (1) After power-on, goes into default Bluetooth mode, ready to be connected with other Bluetooth devices;
- (2) Turn on your phone or other Bluetooth device, search for the Bluetooth device name "SUB-2.1", click connect to be connected. The Bluetooth device controls the previous and next song and can also control the volume.
- (3) After Bluetooth connected, need to manually turn on the Bluetooth device player to play or press the touch surface.

## Use instructions for earphone output

Under the working mode of Bluetooth play、AUX、AUDIO, insert  $\Phi 3.5$  stereo headphone to listen to music, the main speaker will be closed, only headphones can listen to music ; When the headphone is removed, it automatically goes into the main speaker to work.



## AUX、AUDIO input instructions for use

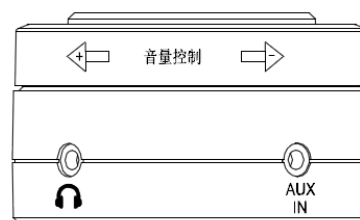
- (1) Insert  $\Phi 3.5$  AUX input into the "AUX IN" position of the controller, a When there is a signal, the system will automatically switch to AUX state. When there is no signal in AUXIN, the system will automatically switch to Bluetooth mode, and there is a device connection that has been paired.
- (2) Insert the RCA into the" AUDIO IN" there is a signal automatically switch to AUDIO playback mode; When the RCA signal is unavailable, the system automatically switches to Bluetooth mode.

## Instructions for bass volume adjustment

The bass volume can be adjusted by turning the bass volume knob on the rear panel of the subwoofer.

## Volume adjustment instructions for the whole system

- (1) Turn to the left to increase the volume;
- (2) Turn to the right to reduce the volume.



## **Automatic shutdown function description**

- (1) When Bluetooth is connected, the system will automatically shut down and goes into standby mode if the Bluetooth device does not play or have no other signal for 20 minutes.
- (2) After power-on, Bluetooth is not connected with other Bluetooth devices, after 20 minutes, it will automatically shut down and goes into standby mode.

## **The light of Indicator description**

- (1) The power indicator is on, wait to touch to be turned on.
- (2) Turn on the Bluetooth mode, when the Bluetooth is not connected, the indicator light blinks fast;
- (3) The Bluetooth are connected and the indicator lights blinks slow;
- (4) When AUX or AUDIO is connected, the indicator is always on.
- (5) Standby mode Standby blinks once every 10 seconds.

## **Federal Communication Commission Interference Statement**

This equipment has been tested and found to comply with the limits for a Class B digital device, pursuant to Part 15 of the FCC Rules. These limits are designed to provide reasonable protection against harmful interference in a residential installation. This equipment generates, uses and can radiate radio frequency energy and, if not installed and used in accordance with the instructions, may cause harmful interference to radio communications. However, there is no guarantee that interference will not occur in a particular installation. If this equipment does cause harmful interference to radio or television reception, which can be determined by turning the equipment off and on, the user is encouraged to try to correct the interference by one or more of the following measures:

- Reorient or relocate the receiving antenna.
- Increase the separation between the equipment and receiver.
- Connect the equipment into an outlet on a circuit different from that to which the receiver is connected.
- Consult the dealer or an experienced radio/TV technician for help.

FCC Caution: Any changes or modifications not expressly approved by the party responsible for compliance could void the user's authority to operate this equipment.

This device complies with Part 15 of the FCC Rules. Operation is subject to the following two conditions:

- (1) This device may not cause harmful interference, and
- (2) this device must accept any interference received, including interference that may cause undesired operation.

## **FCC Radiation Exposure Statement:**

This equipment complies with FCC radiation exposure limits set forth for an uncontrolled environment. This equipment should be installed and operated with minimum distance 20cm between the radiator & your body.

Equipment name: 2.1 multimedia speaker system

Type designation (Type): SUB-2.1

Unit	Restricted substances and its chemical symbols					
	Lead (Pb)	Mercury (Hg)	Cadmium (Cd)	Hexavalent chromium (Cr <sup>+6</sup> )	Polybrominated biphenyls (PBB)	Polybrominated diphenyl ethers (PBDE)
Circuit Board	Exceeding 0.1 WT%	○	○	○	○	○
Wooden box	○	○	○	○	○	Exceeding 0.1 WT%
Speaker	Exceeding 0.1 WT%	○	○	○	○	○
Aluminum Panel	Exceeding 0.1 WT%	○	○	○	○	○

Note 1: "Exceeding 0.1 wt %" and "exceeding 0.01 wt %" indicate that the percentage content of the restricted substance exceeds the reference percentage value of presence condition.

Note 2: "○" indicates that the percentage content of the restricted substance does not exceed the percentage of reference value of presence.

Note 3: The "-" indicates that the restricted substance corresponds to the exemption.